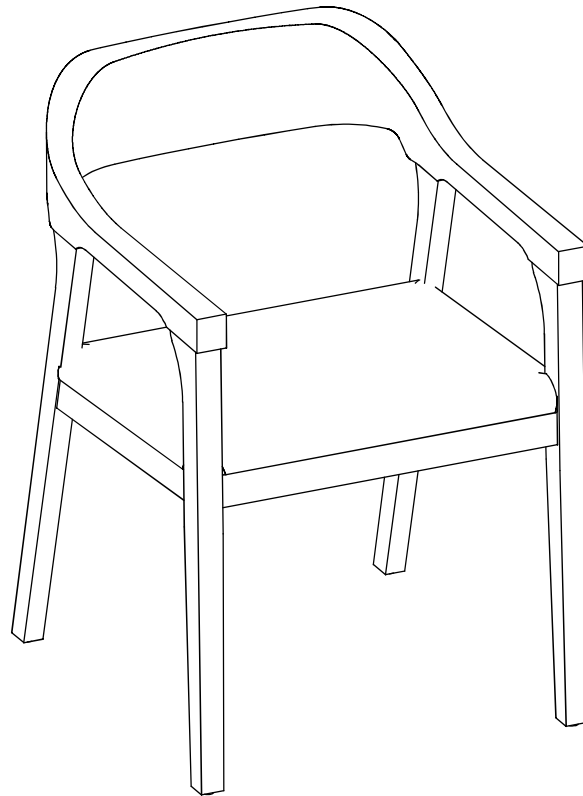




Boraam Industries

ASSEMBLY INSTRUCTIONS

SKU: 77317,77318 | RASMUS DINING ARM CHAIR



Weight Capacity



Locate the **HARDWARE PACK** which is attached to the shipping carton with red tape.

01/2024



Have questions about assembling your item?



Items or parts damaged?



Missing a part?

We're here to help! (Monday-Friday from 9am-5pm CST)



847-949-6300
877-267-2261



customerservice@
boraamindustries.com



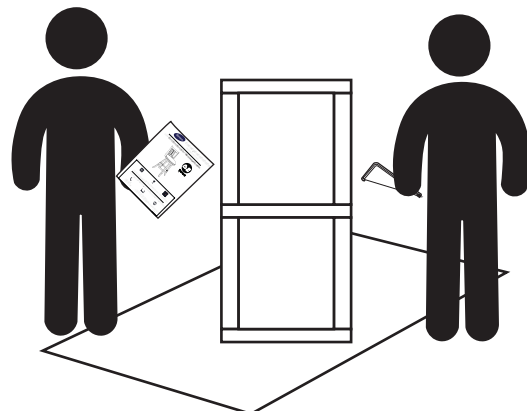
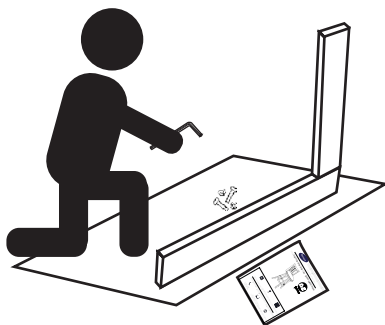
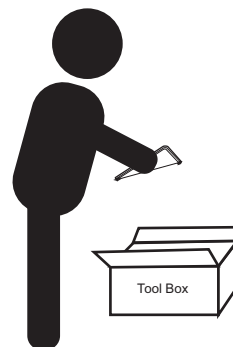
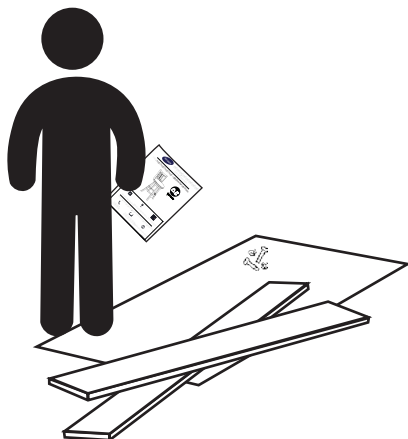
www.boraamindustries.com

Assembly And Care

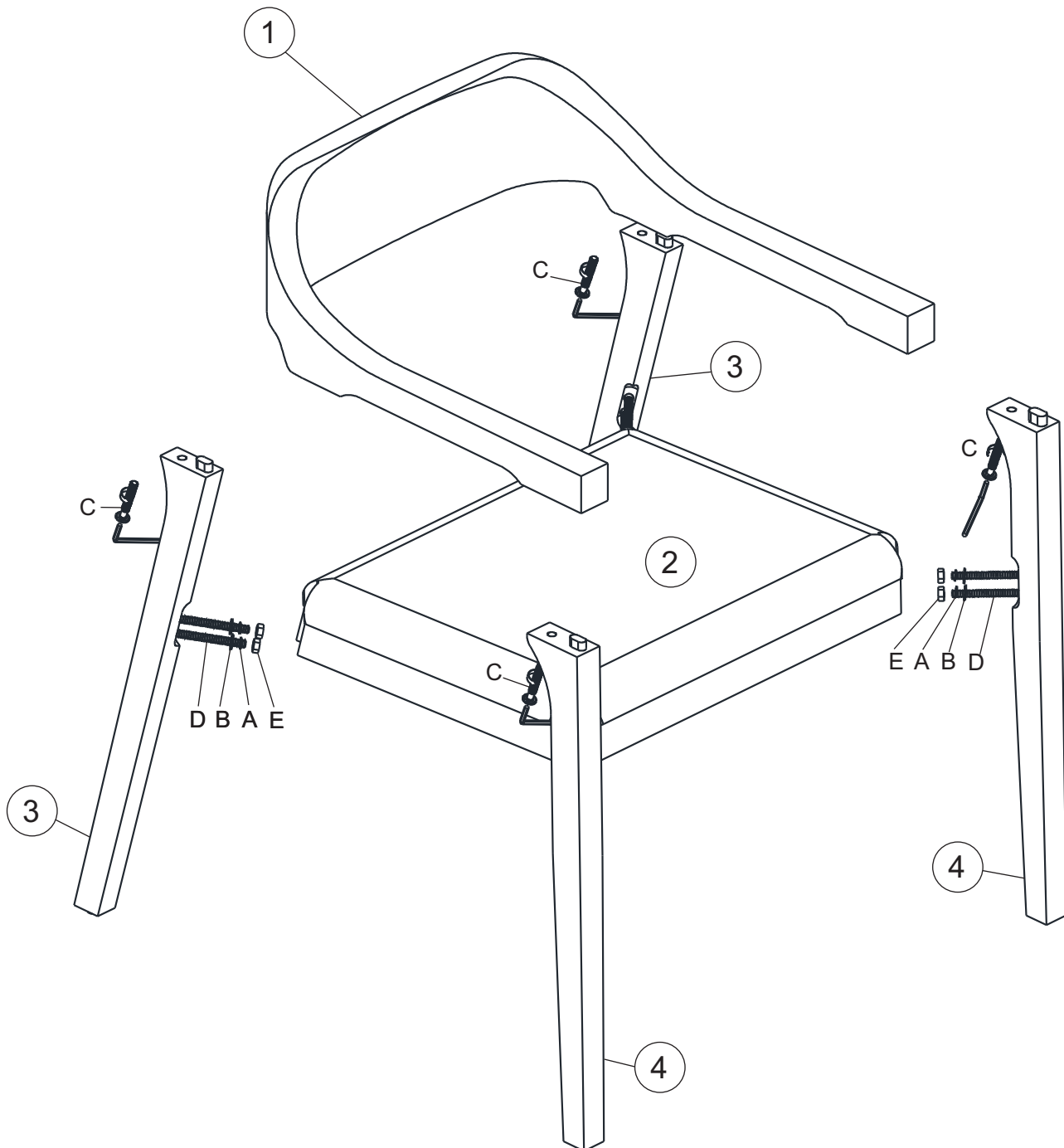
- All tools required for assembly are included unless noted.
- Prior to assembly, check for missing or damaged parts.
- Do not dispose of packing materials until assembly is completed.
- Assemble item on a soft, clean surface to prevent damage to the item.



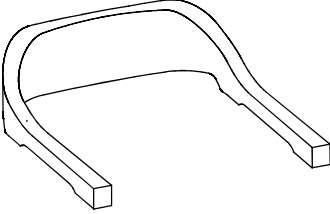
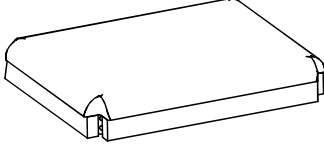
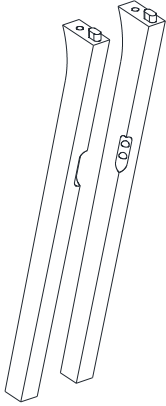
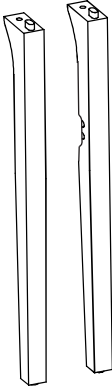
Locate the **HARDWARE PACK** which is attached to the shipping carton with red tape.



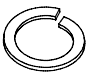
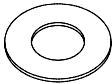
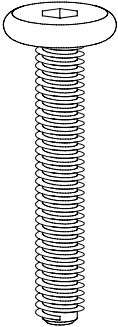
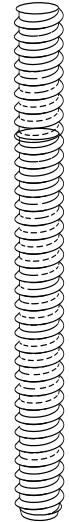
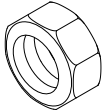

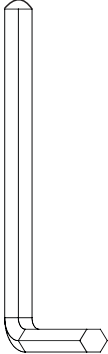
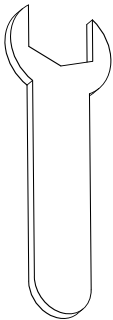
Assembly Overview



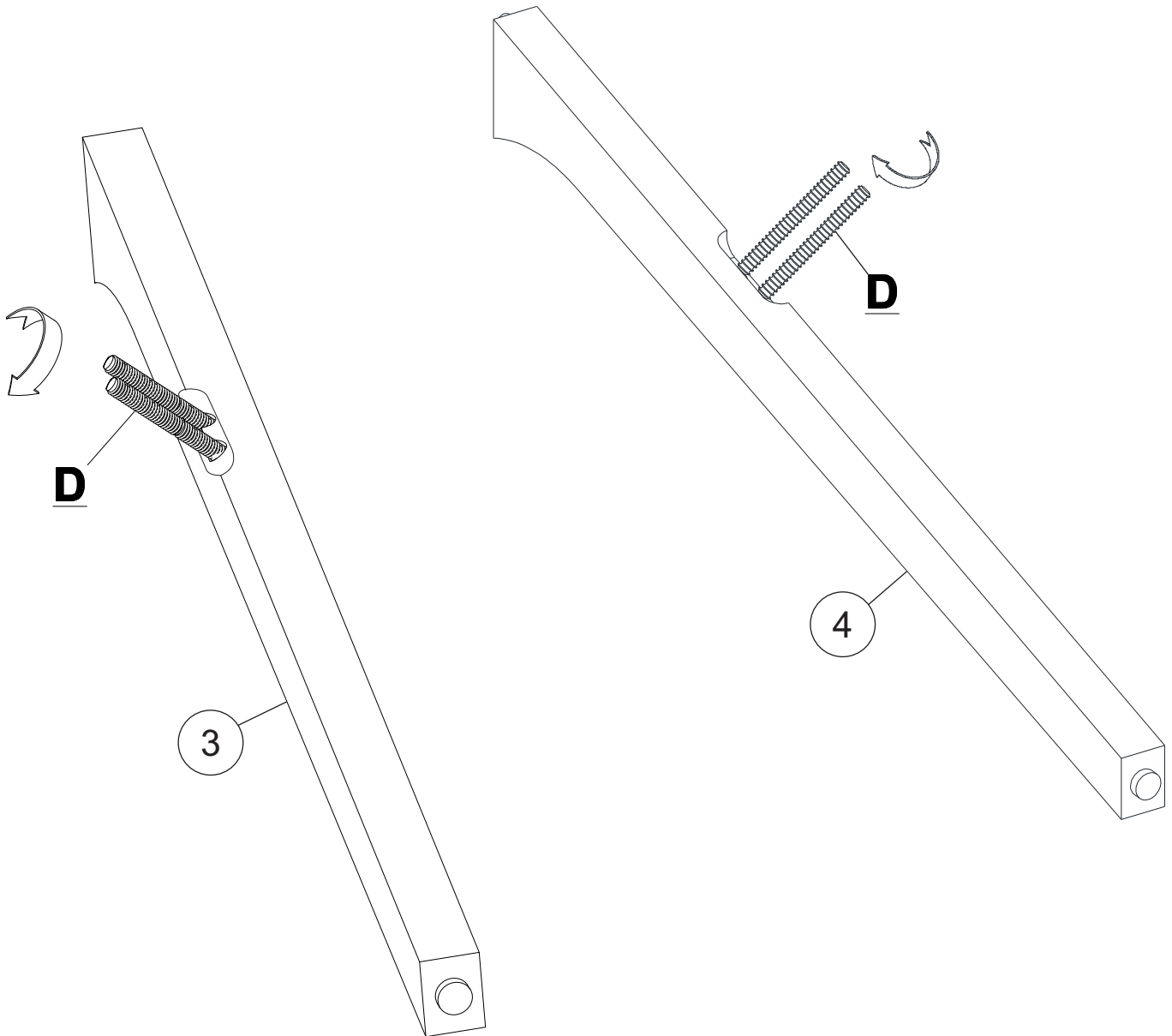
PARTS

① (x1)	② (x1)
<p>Backrest:</p> 	<p>Seat cushion:</p> 
③ (x2)	④ (x2)
<p>Back leg:</p> 	<p>Front leg:</p> 

HARDWARE

Ⓐ (x8)	Ⓑ (x8)	Ⓒ (x4)	Ⓓ (x8)	Ⓔ (x8)	Ⓕ (x8)	Ⓖ (x1)	Ⓗ (x1)
							
Spring Washer M8x10	Flat Washer M8x16	Bolt M8x50	Threaded rod M8x90	Hex nut M8	Protective cap M8	Allen Wrench	Wrench K13

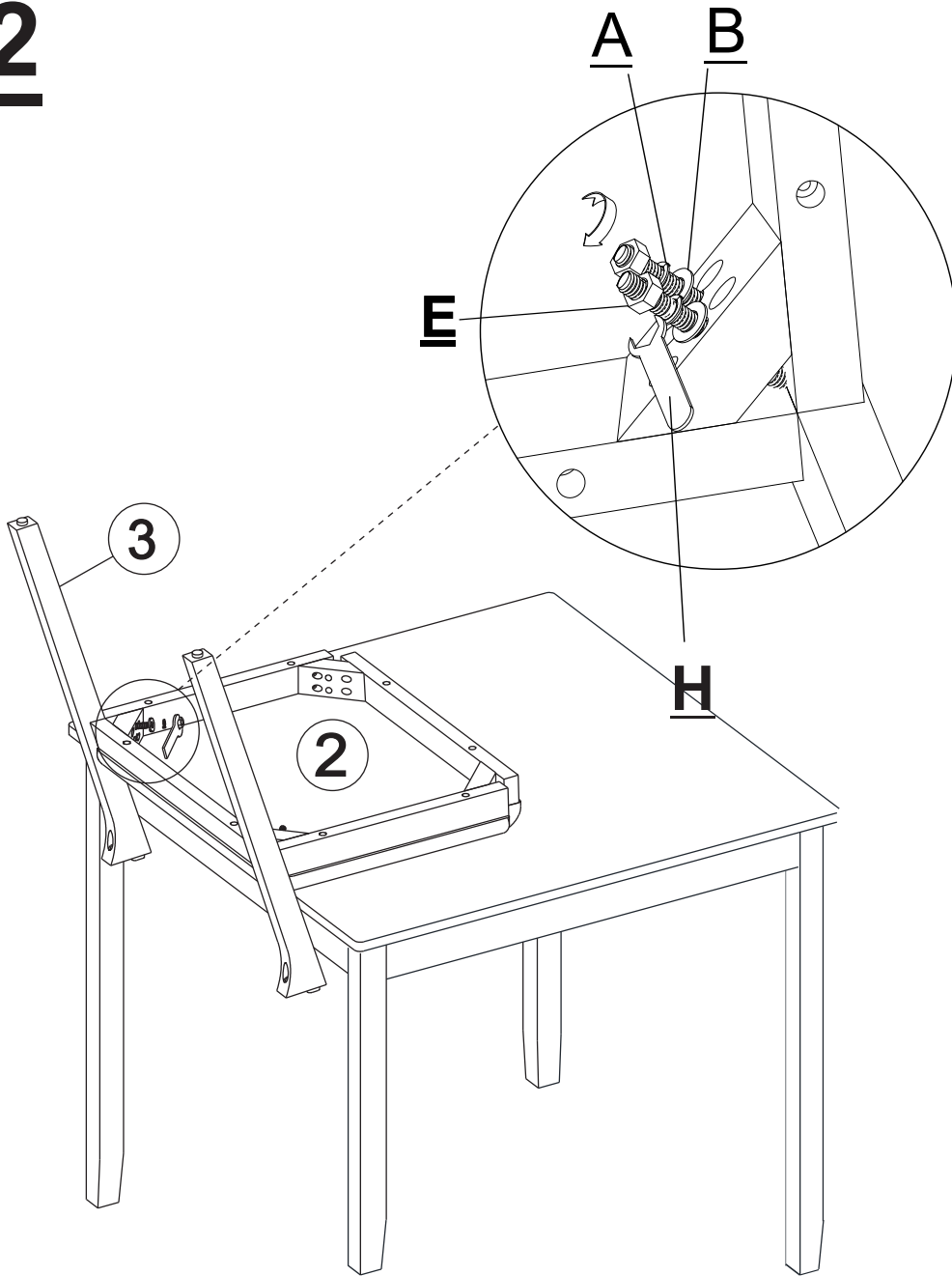
01



Hardware	Count
D	8

TIGHTEN THREADED ROD COMPLETELY.

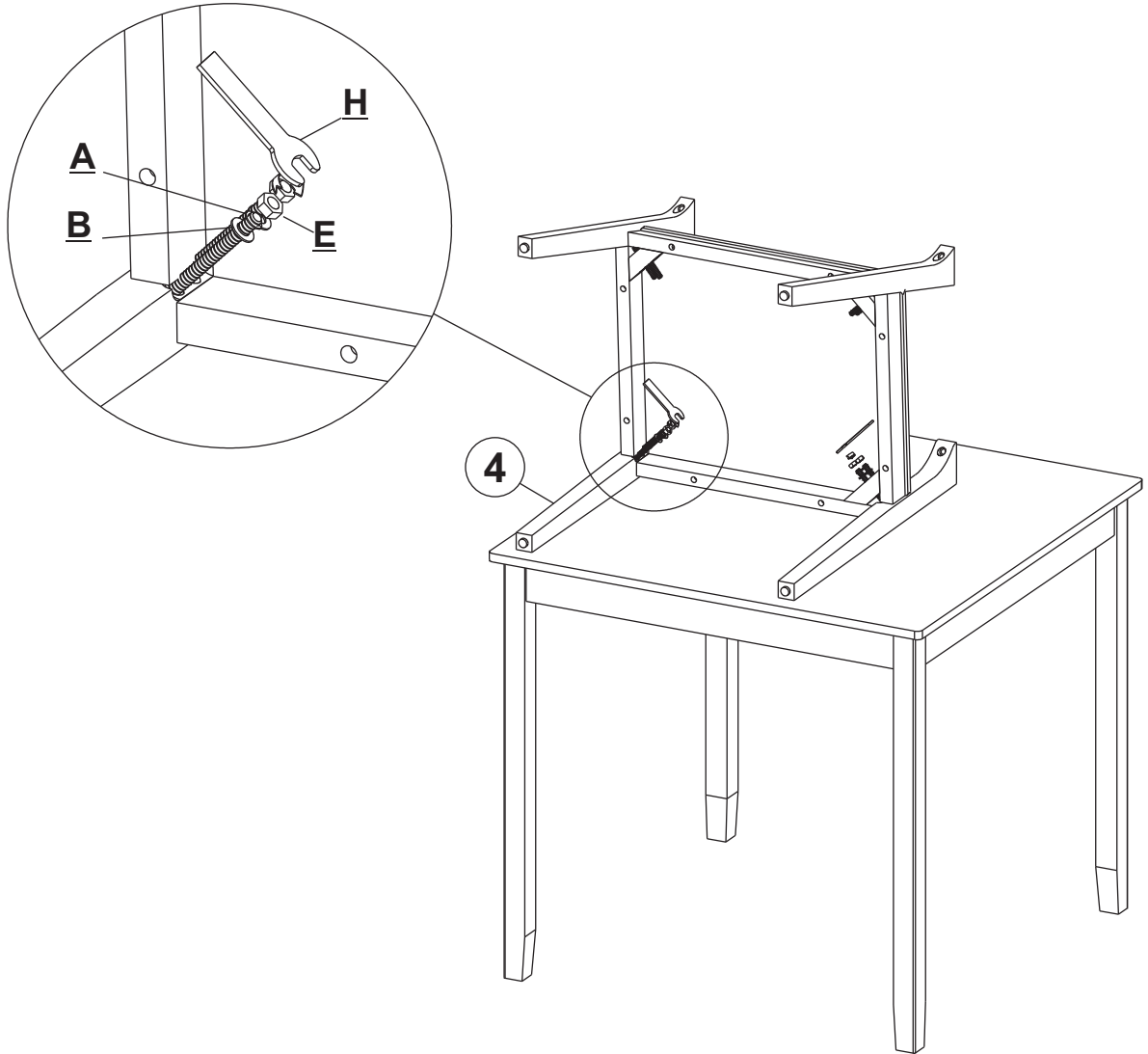
02



Hardware	Count
A	4
B	4
E	4
H	1

TIGHTEN HEX NUT COMPLETELY.

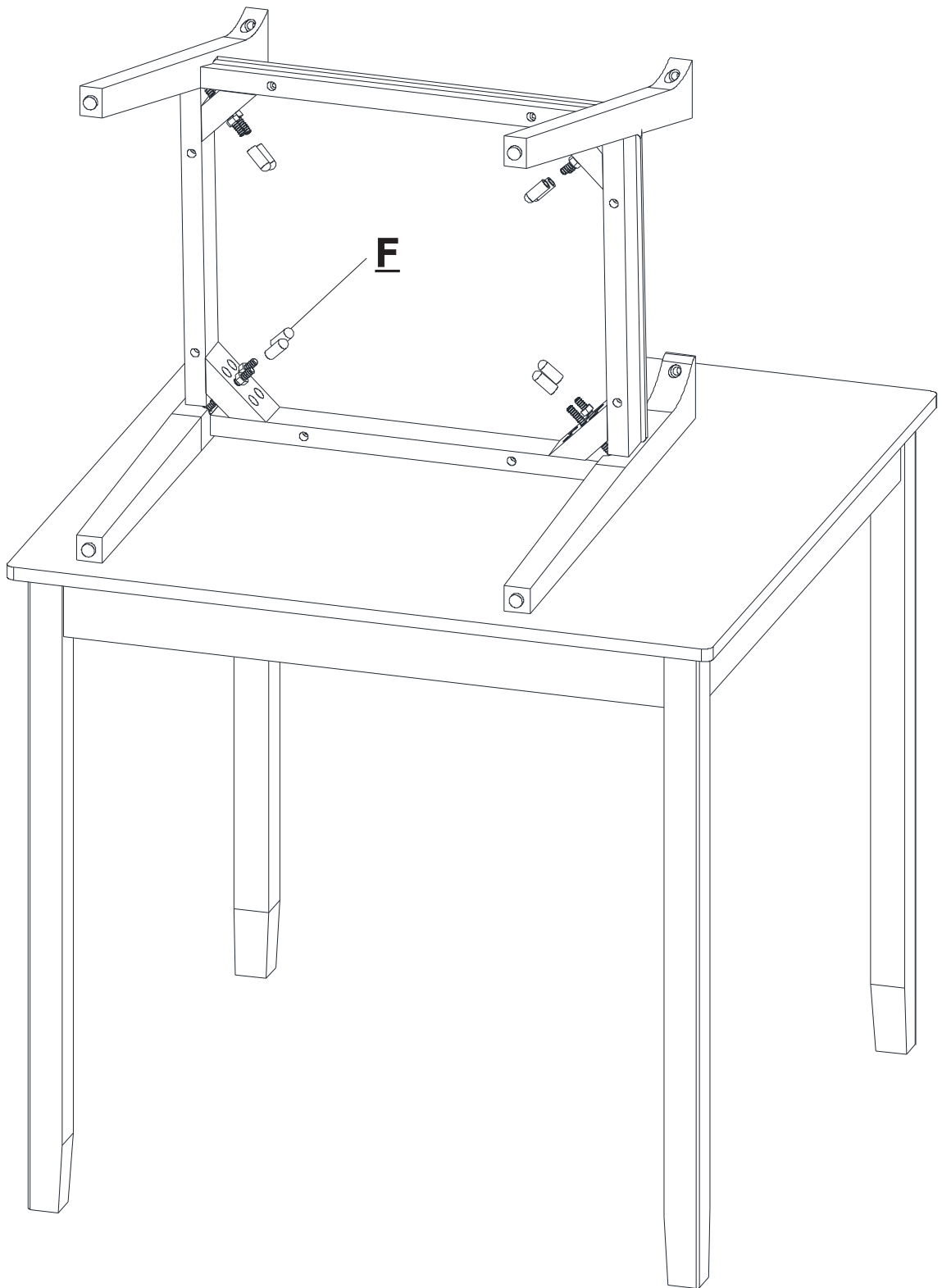
03



Hardware	Count
A	4
B	4
E	4
H	1

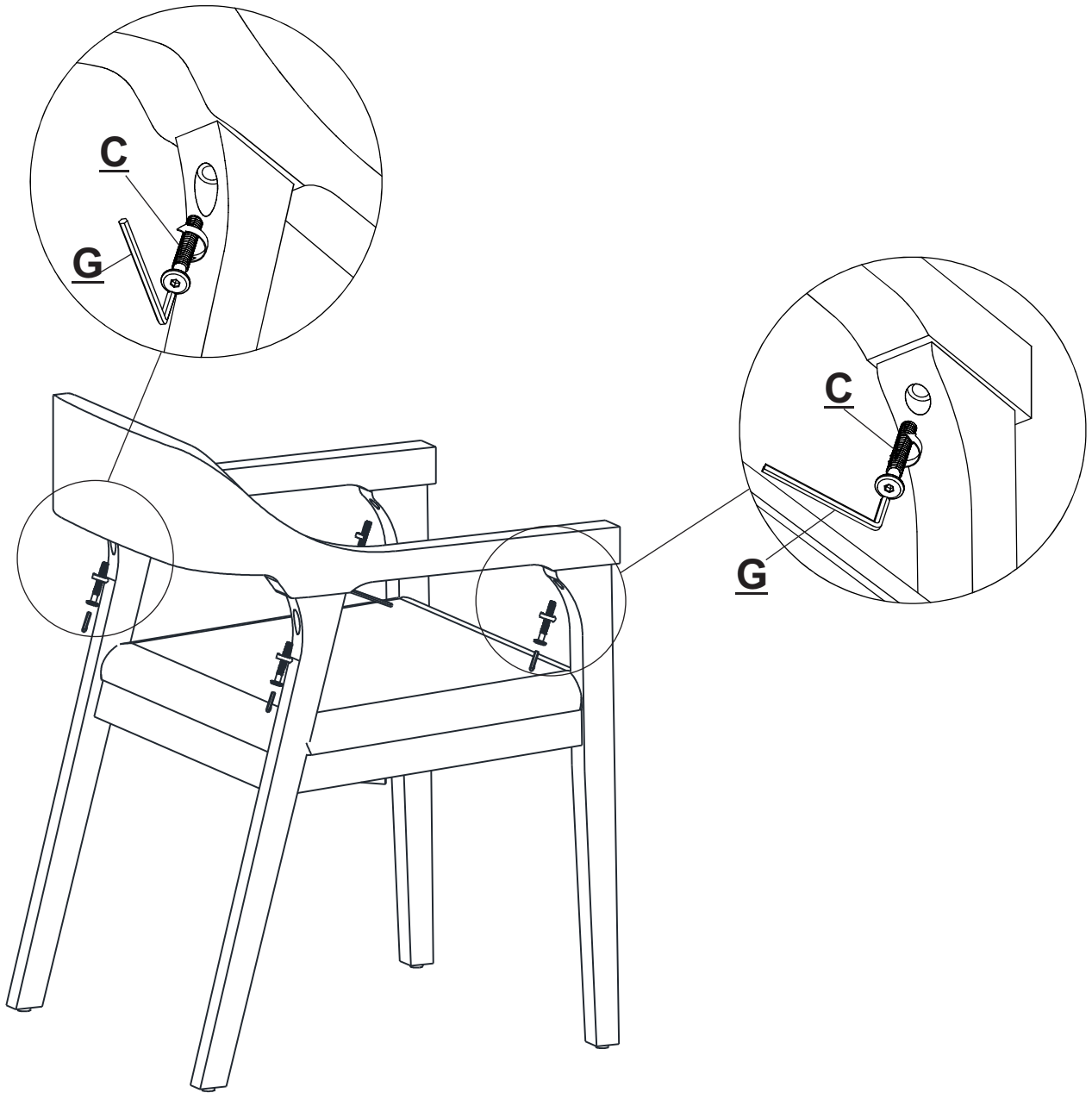
TIGHTEN HEX NUT COMPLETELY.

04



Hardware	Count
F	8

05

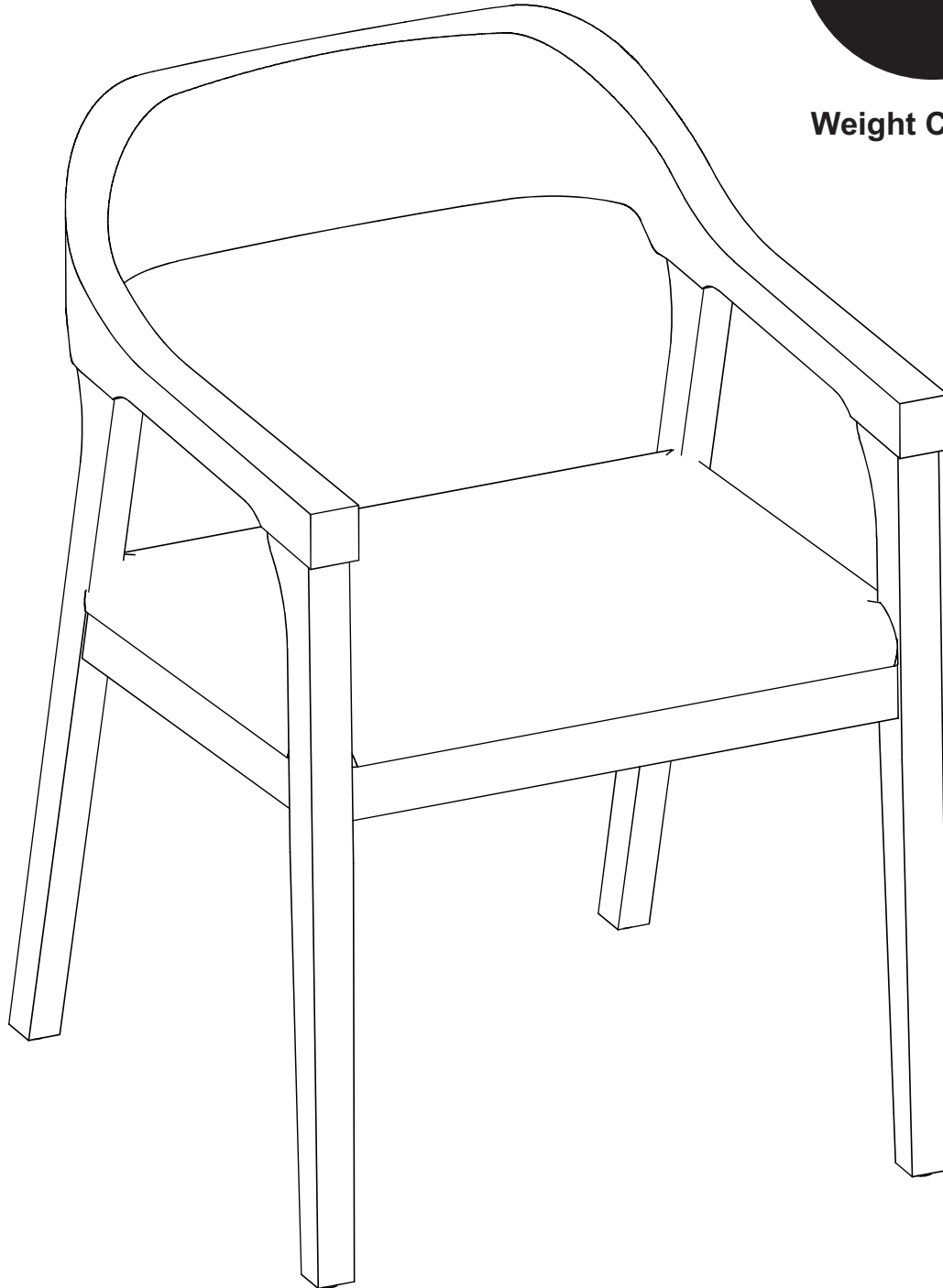


Hardware	Count
C	4
G	1

TIGHTEN BOLT COMPLETELY.



Weight Capacity



BE SURE TO CHECK ALL BOLTS ARE SECURELY TIGHTENED PRIOR TO USE.

847-949-6300 | 877-267-2261 | customerservice@boraamindustries.com