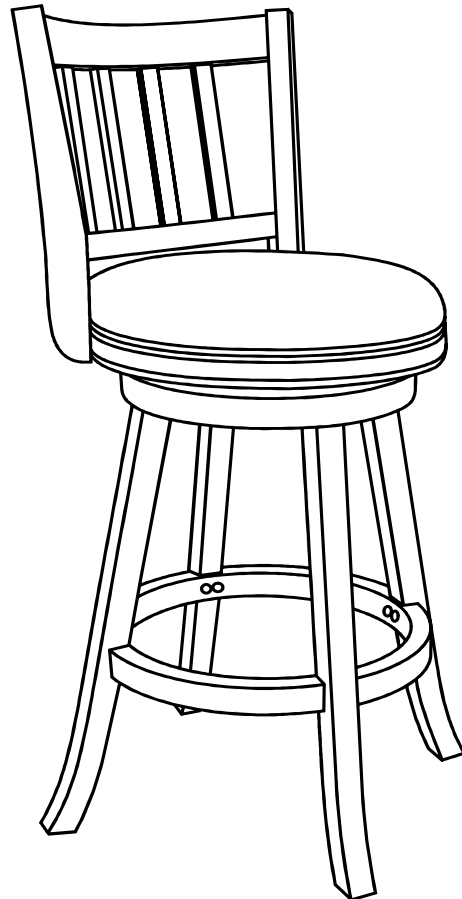




Boraam Industries

ASSEMBLY INSTRUCTIONS

SKU: 76324,76329,76424,76429 | SHELDON SWIVEL STOOL



Weight Capacity



Locate the **HARDWARE PACK** which is attached to the shipping carton with red tape.

01/2024



Have questions about assembling your item?



Items or parts damaged?



Missing a part?

We're here to help! (Monday-Friday from 9am-5pm CST)



847-949-6300
877-267-2261



customerservice@
boraamindustries.com



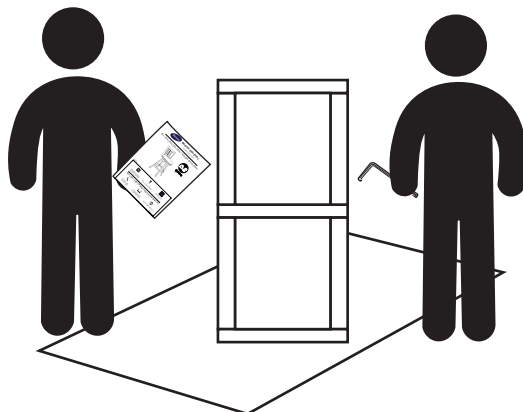
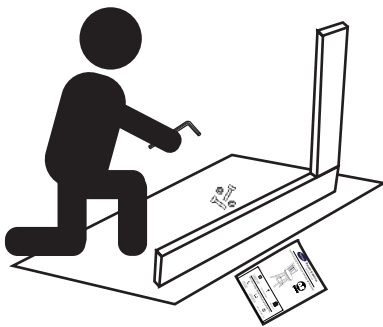
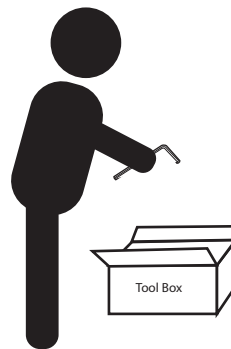
www.boraamindustries.com

Assembly And Care

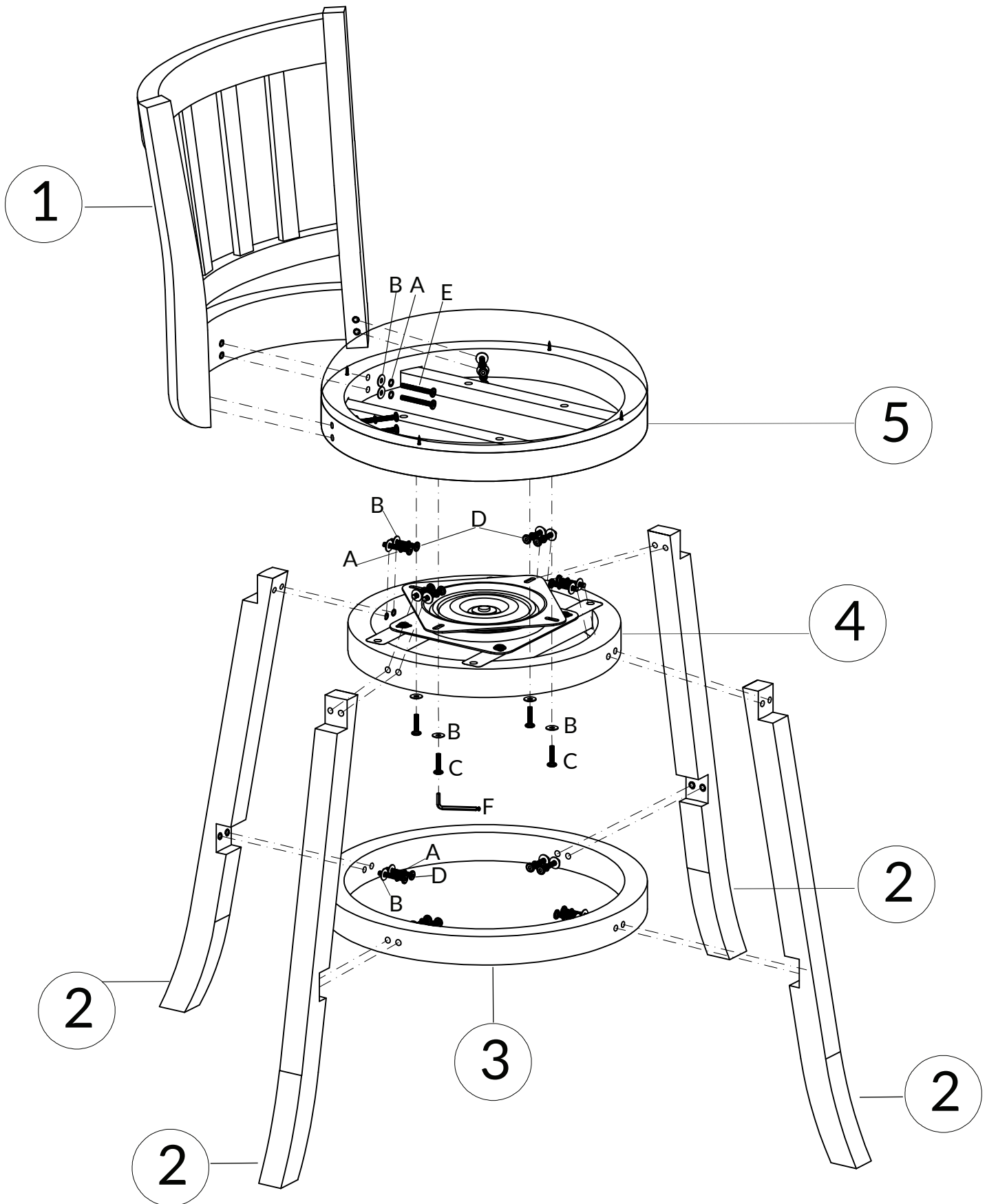
- All tools required for assembly are included unless noted.
- Prior to assembly, check for missing or damaged parts.
- Do not dispose of packing materials until assembly is completed.
- Assemble item on a soft, clean surface to prevent damage to the item.



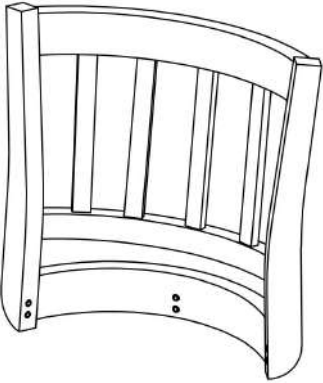
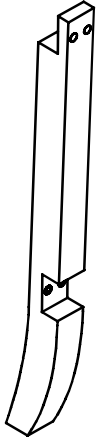
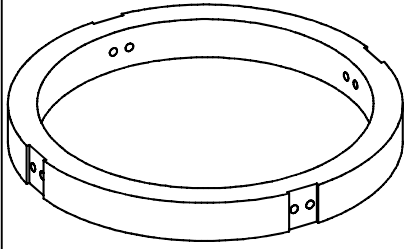
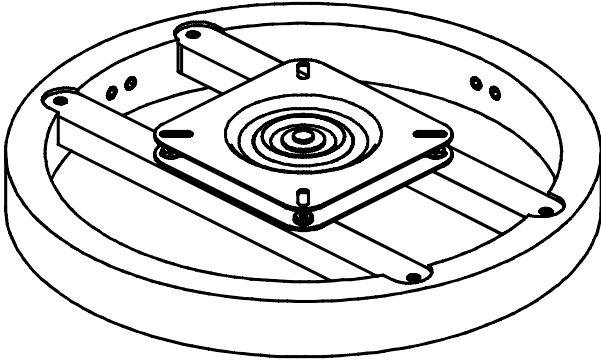
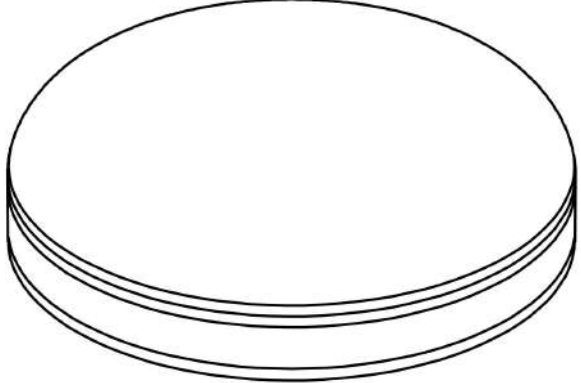
Locate the **HARDWARE PACK** which is attached to the shipping carton with red tape.




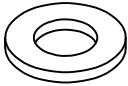
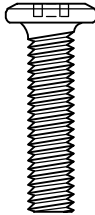
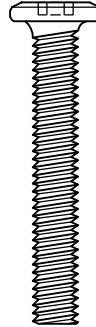
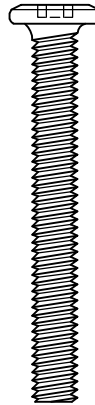

Assembly Overview



PARTS

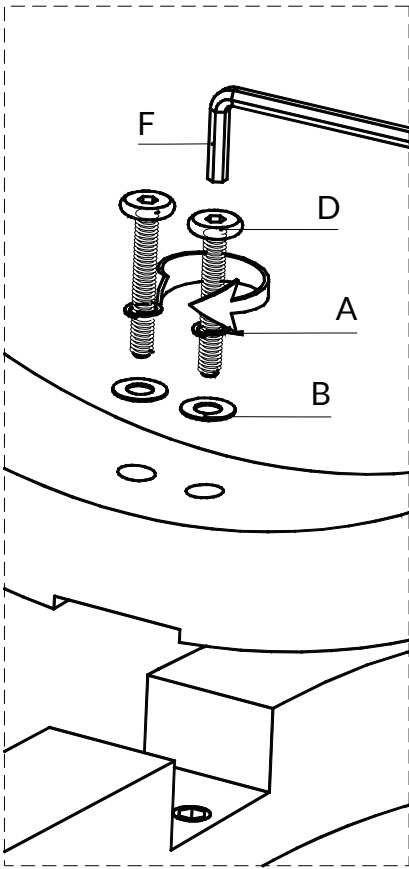
①(x1)	②(x4)	③(x1)
Backrest : 	Legs : 	Footrest : 
④(x1)	⑤(x1)	
Apron With Swivel Plate : 	Seat Cushion : 	

HARDWARE

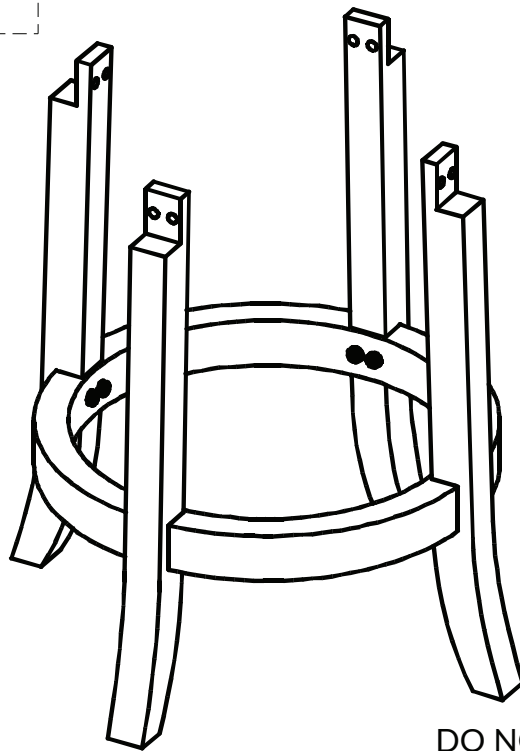
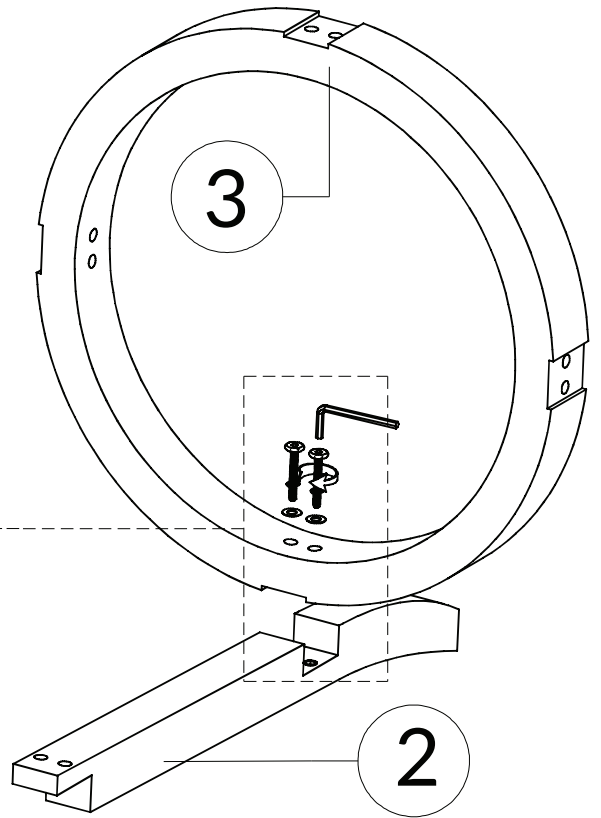
Ⓐ(x22)	Ⓑ(x26)	Ⓒ(x4)	Ⓓ(x16)	Ⓔ(x6)	Ⓕ(x1)
					
Spring Washer M6*10	Flat Washer M6*16	Bolt M6*25	Bolt M6*40	Bolt M6*50	Allen Wrench M4*110

847-949-6300 | 877-267-2261 | customerservice@boraamindustries.com

01



4X



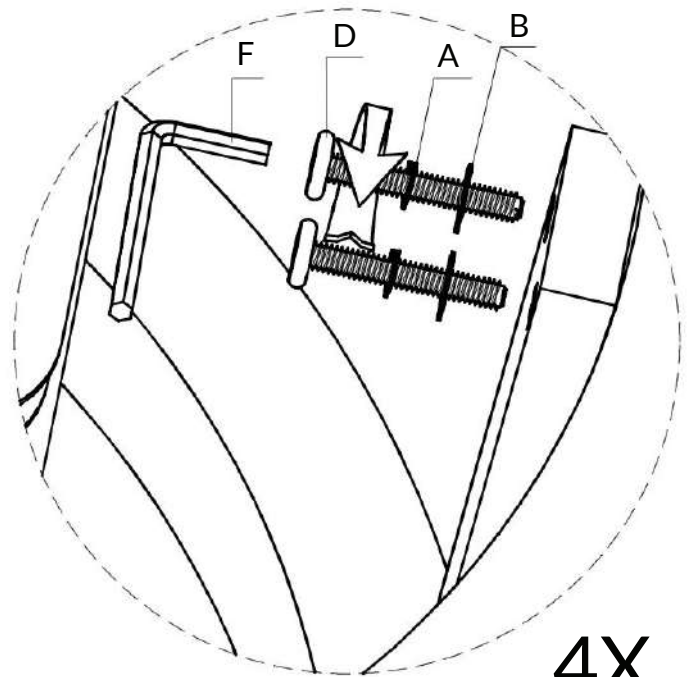
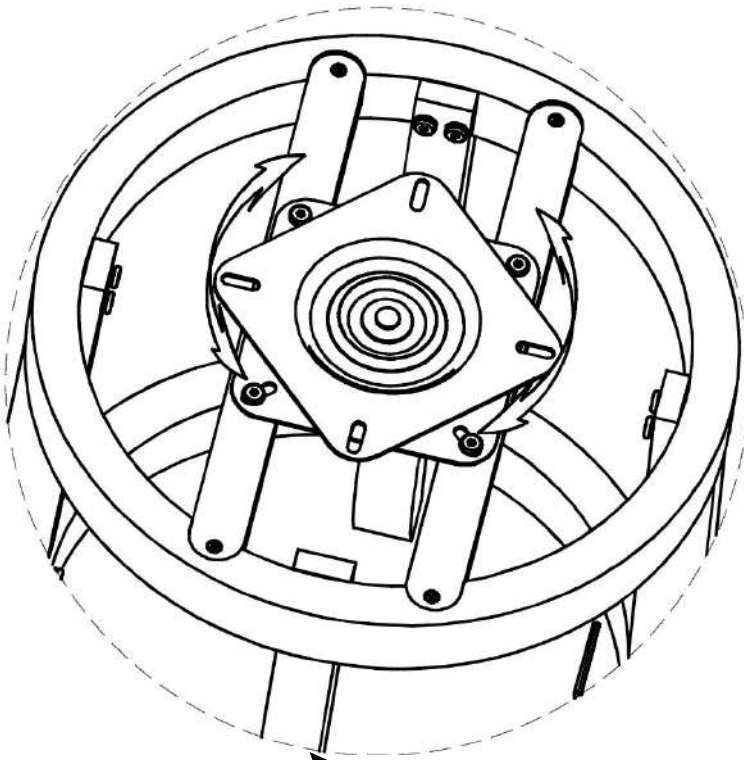
Hardware	Count
A	8
B	8
D	8
F	1

DO NOT TIGHTEN BOLT COMPLETELY.

Please make sure that the protective metal kick plate from Footrest (Part #3) is facing upwards. Remove the white Tape from the protective metal kick plate before using.

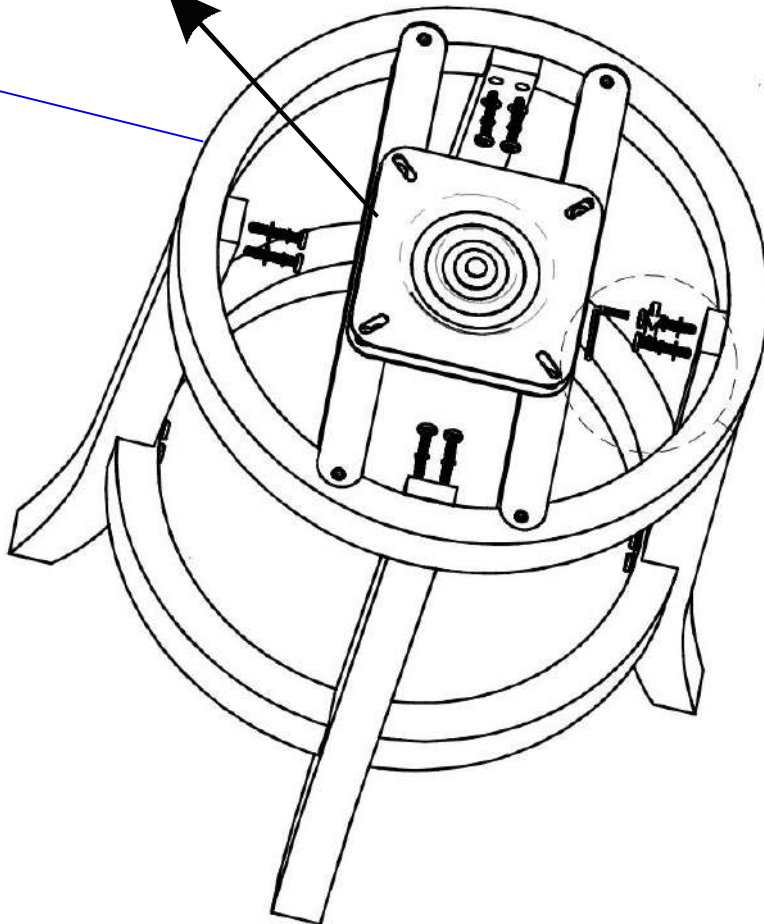
847-949-6300 | 877-267-2261 | customerservice@boraamindustries.com

02



4X

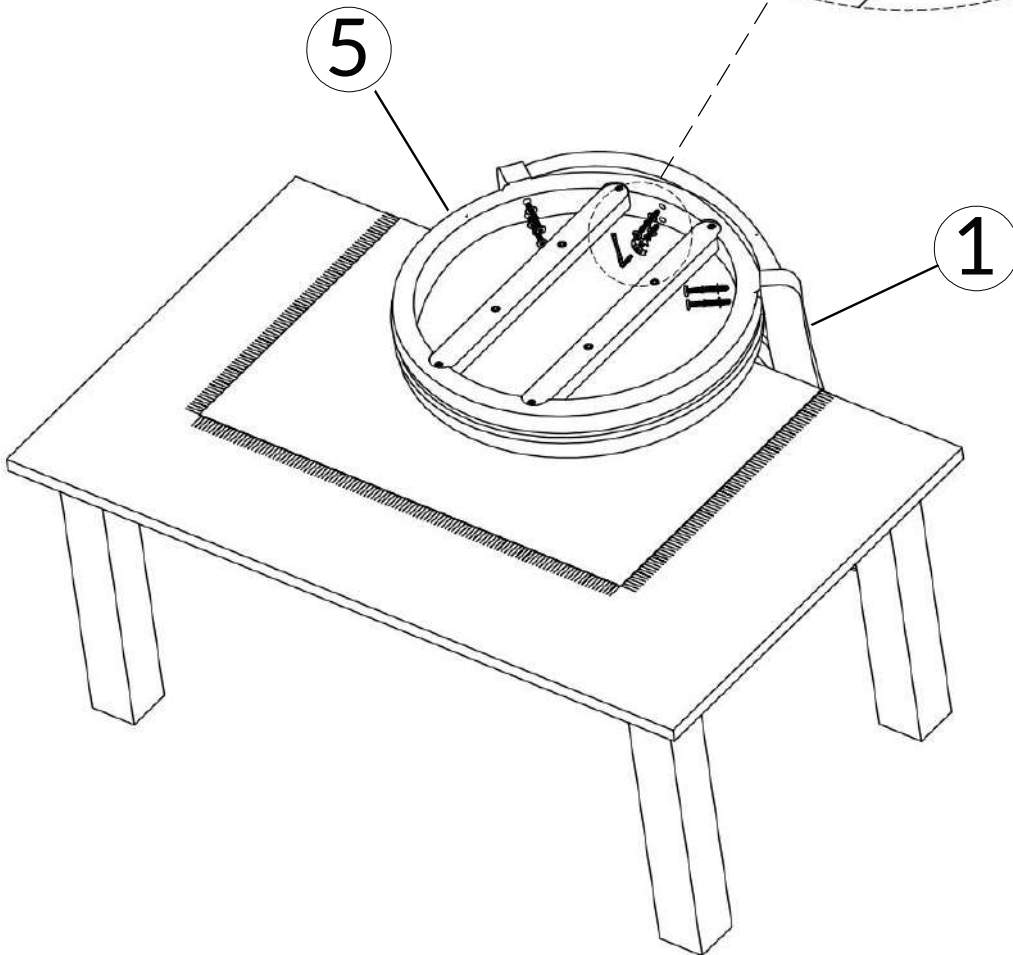
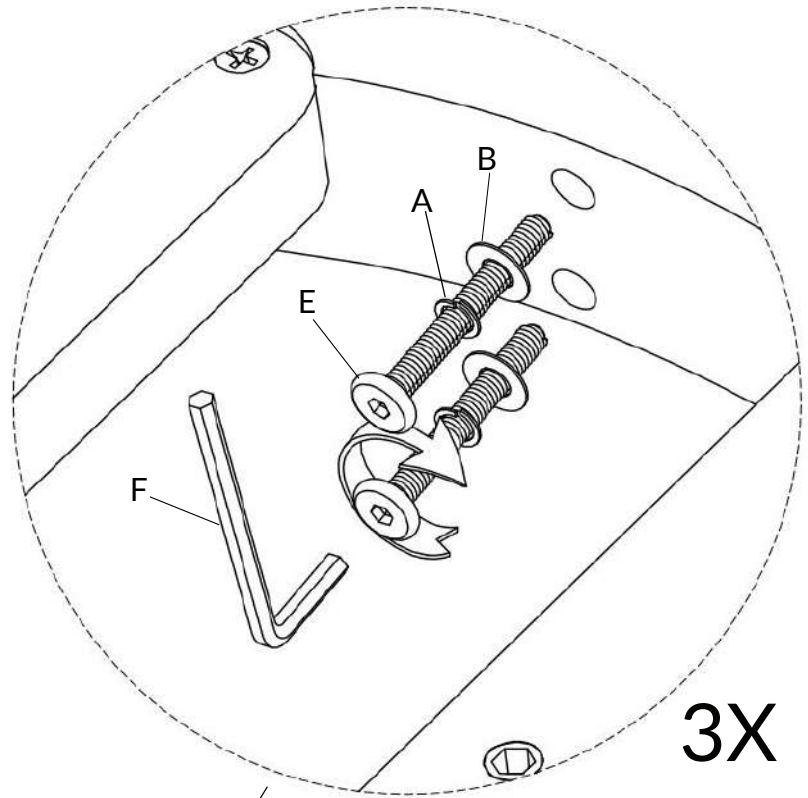
4



Hardware	Count
A	8
B	8
D	8
F	1

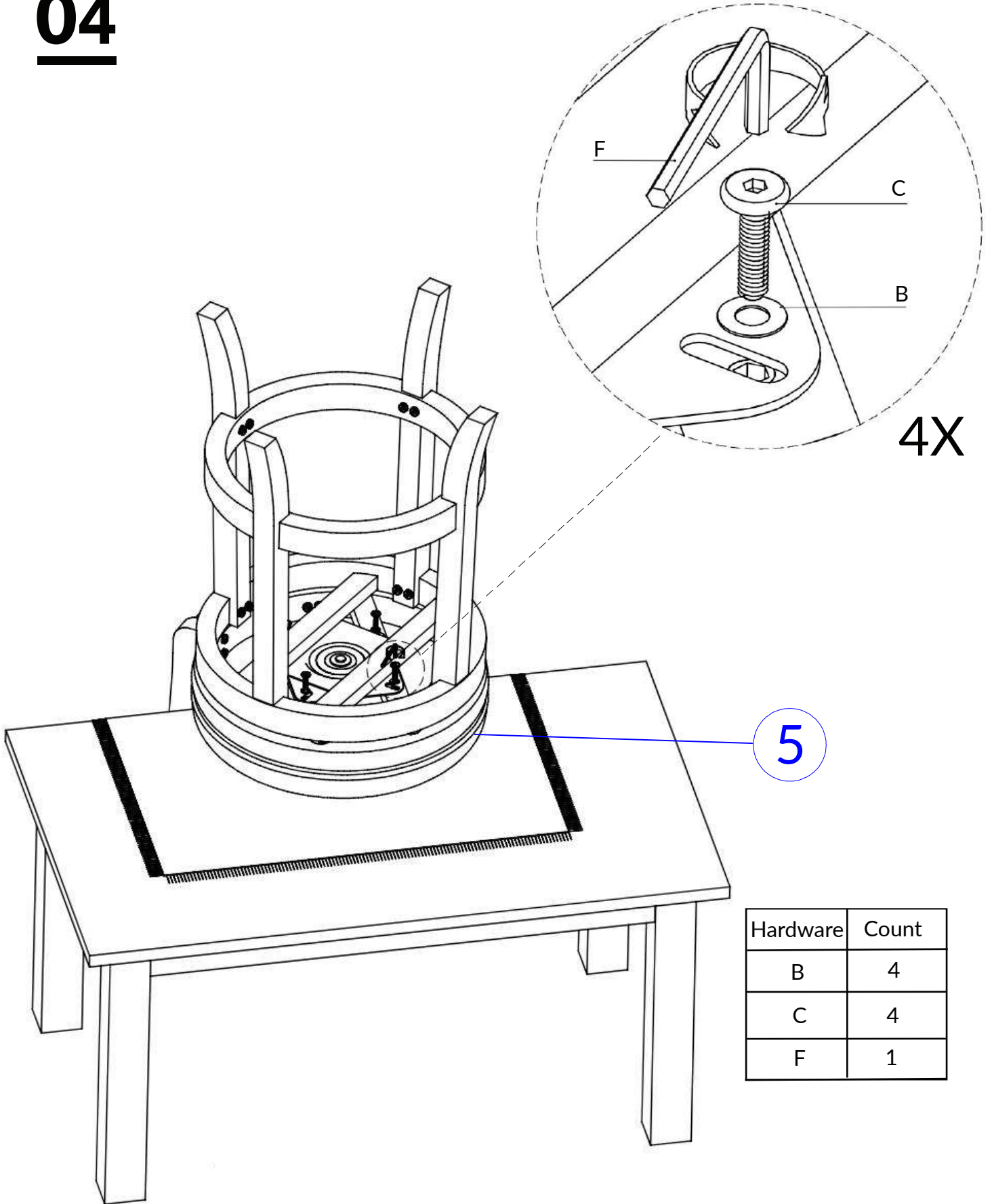
TIGHTEN BOLT COMPLETELY.

03



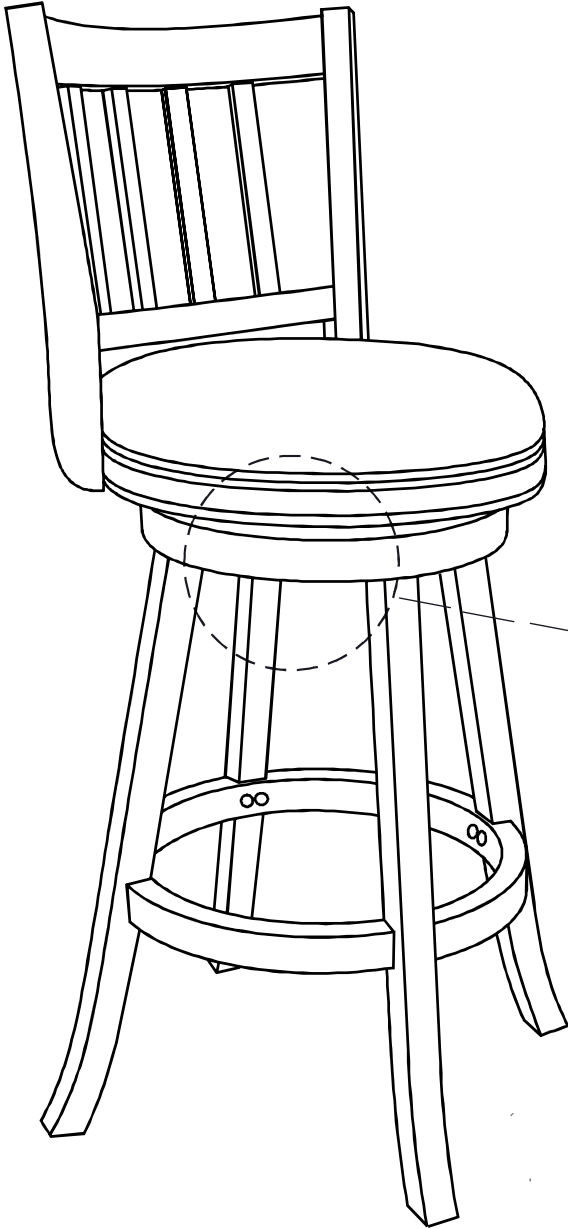
Hardware	Count
A	6
B	6
E	6
F	1

04

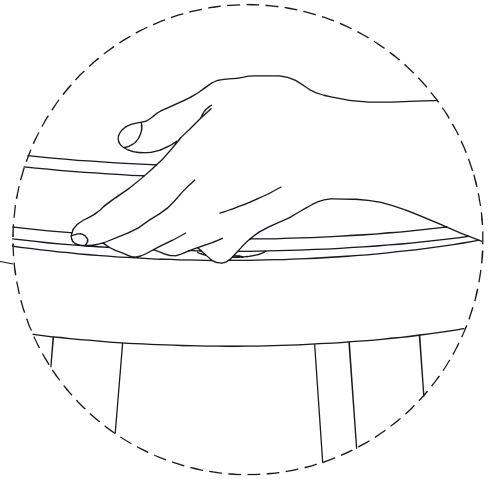


Hardware	Count
B	4
C	4
F	1

TIGHTEN BOLT COMPLETELY.



Weight Capacity



BE SURE TO CHECK ALL BOLTS ARE SECURELY TIGHTENED PRIOR TO USE.

847-949-6300 | 877-267-2261 | customerservice@boraamindustries.com