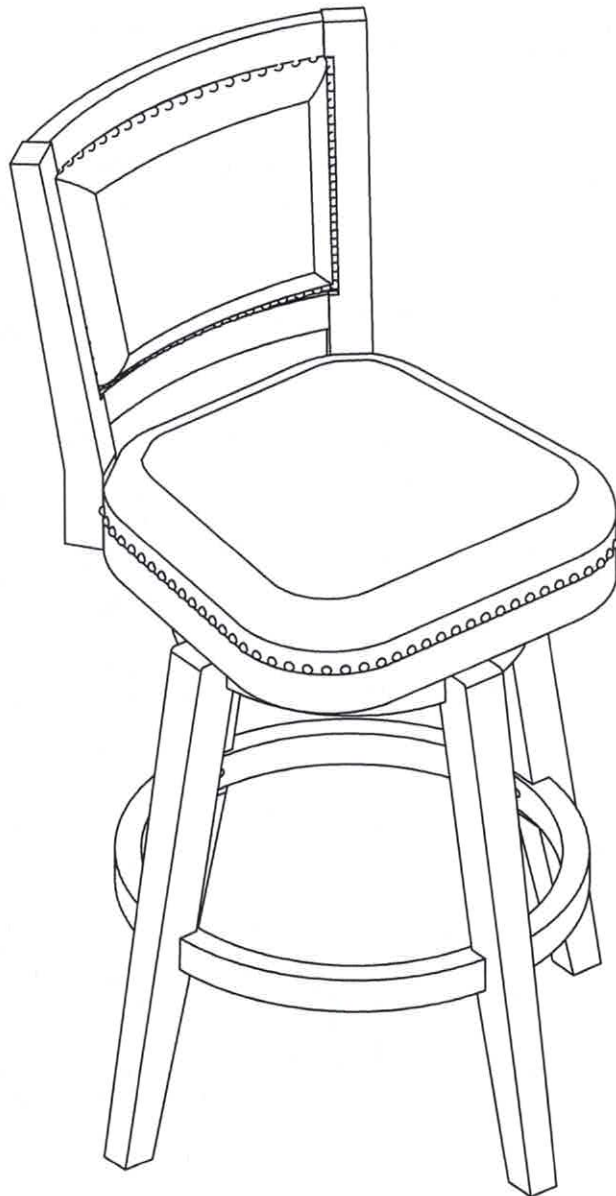


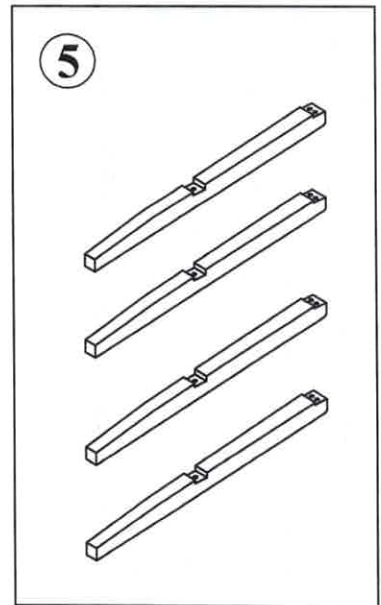
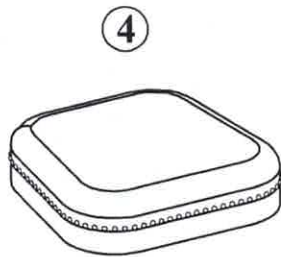
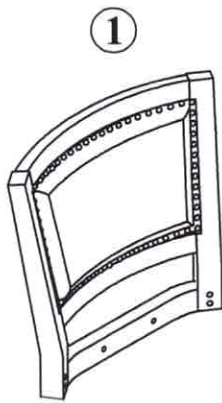
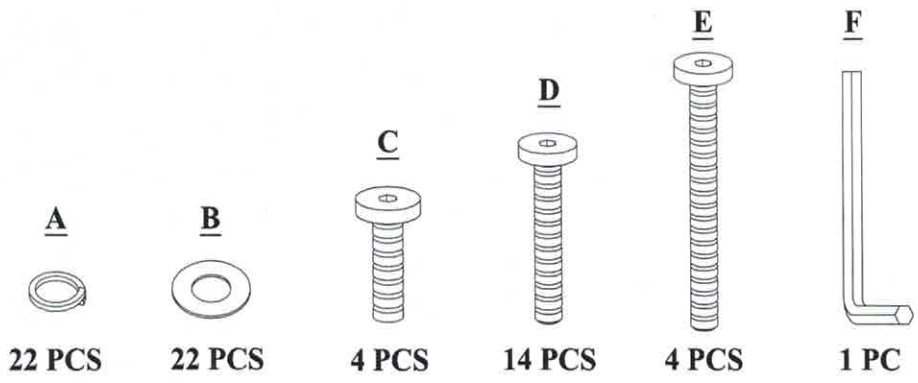
51824, 51829, 51924, 51929



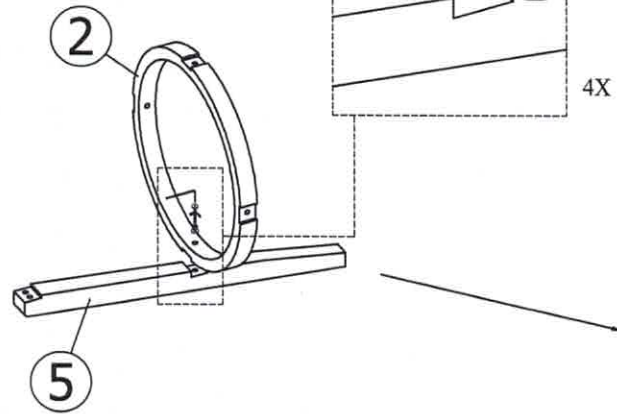
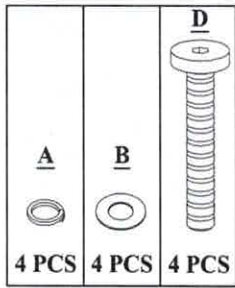
Boraam Industries

BROADMOOR SWIVEL STOOL
ASSEMBLY INSTRUCTIONS



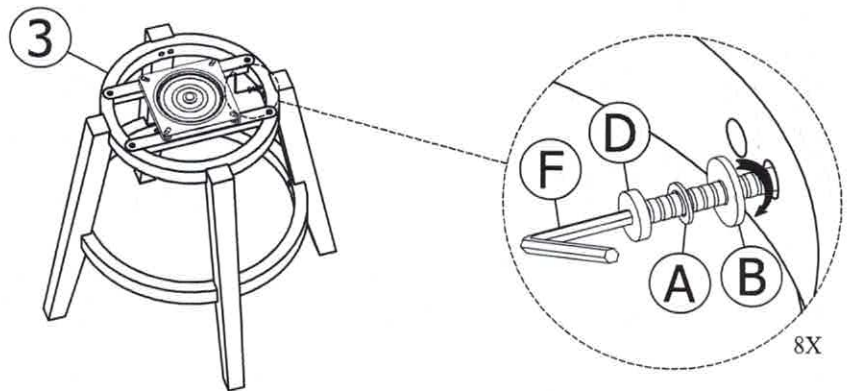
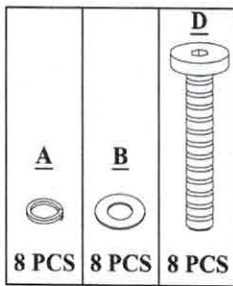


01



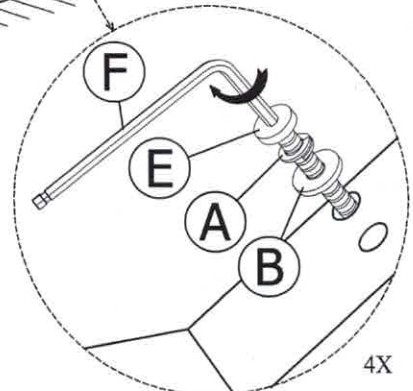
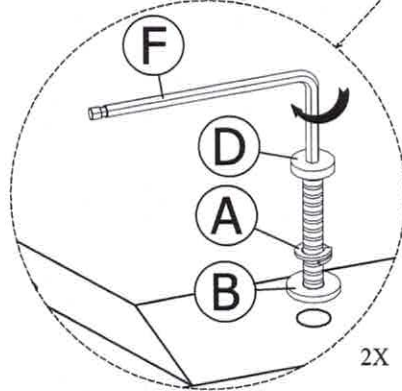
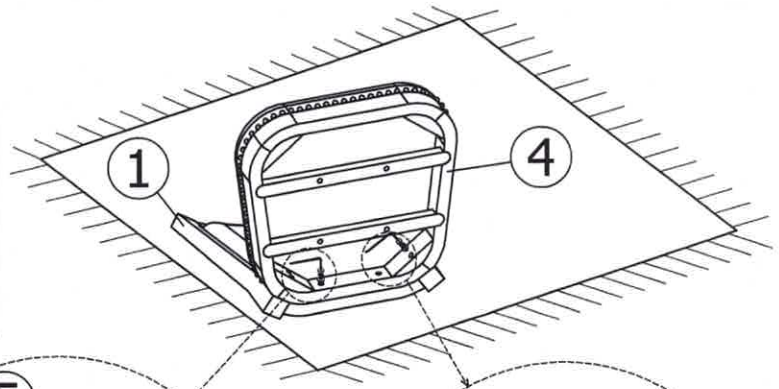
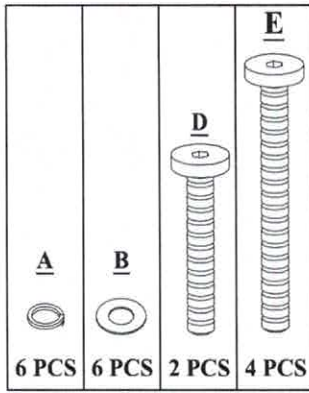
DO NOT TIGHTEN BOLT COMPLETELY.

02



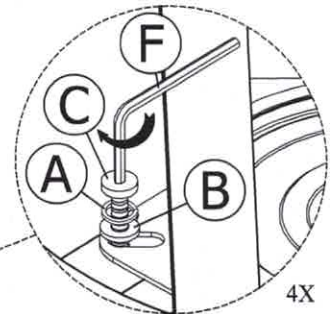
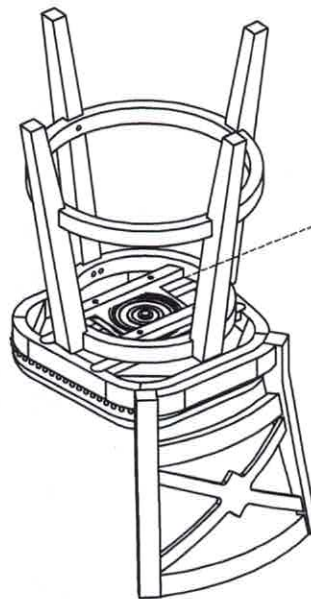
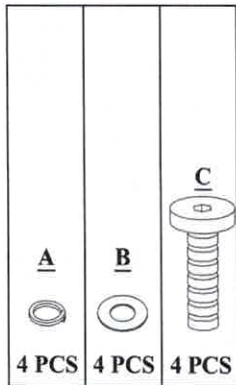
TIGHTEN BOLT COMPLETELY.

03

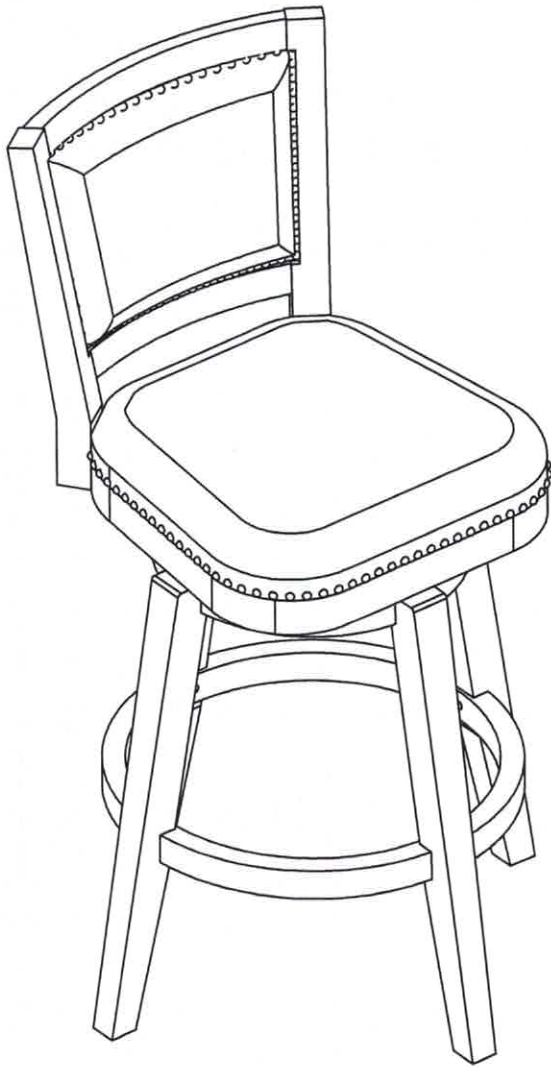


TIGHTEN BOLT COMPLETELY.

04



TIGHTEN BOLT COMPLETELY.



BE SURE TO CHECK ALL BOLTS ARE SECURELY TIGHTENED PRIOR USING THIS STOOL