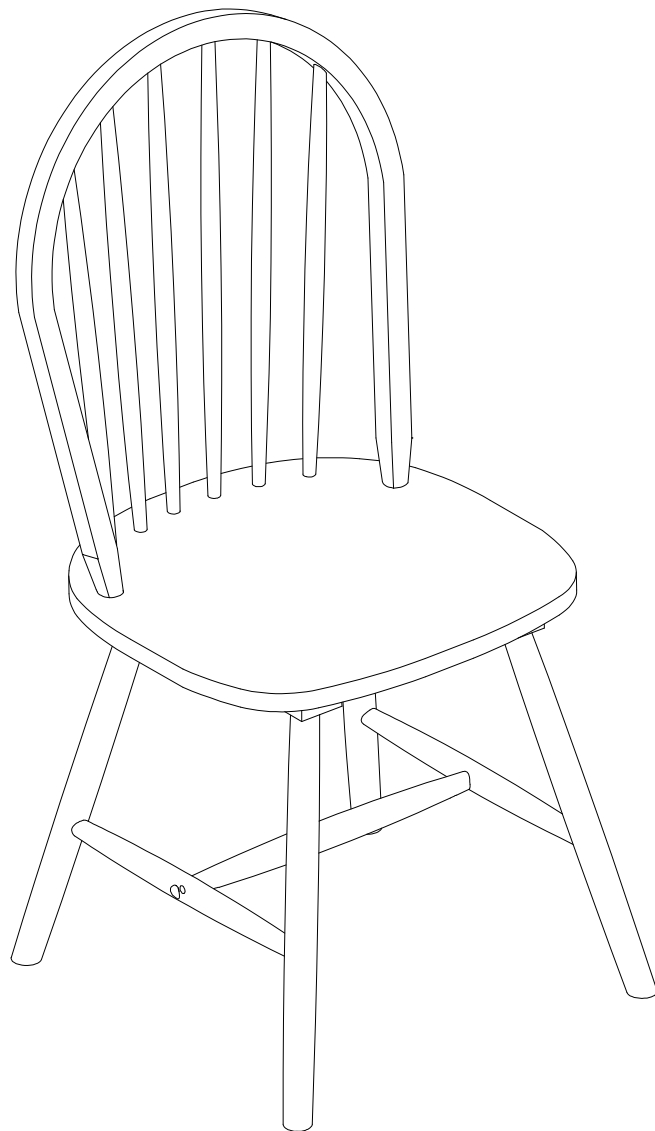




Boraam Industries
FARMHOUSE DINING CHAIR
ASSEMBLY INSTRUCTIONS





PLEASE READ ME FIRST



- Have questions about assembling your item?



- Item or parts damaged?



- Missing a part?



- We're here to help!



(847)949-6300 (M-F, 9am-5pm CST)

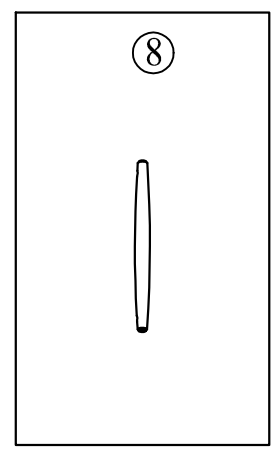
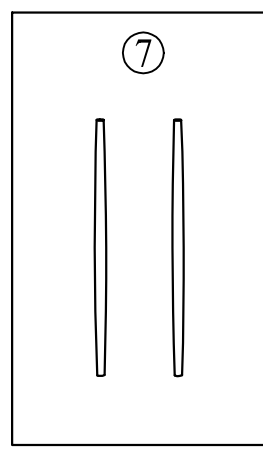
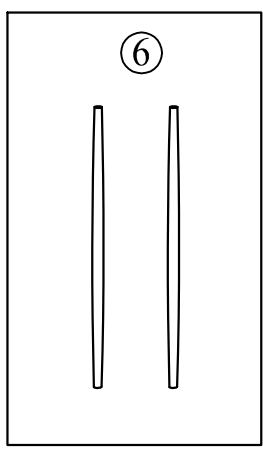
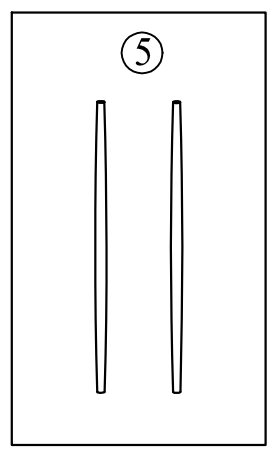
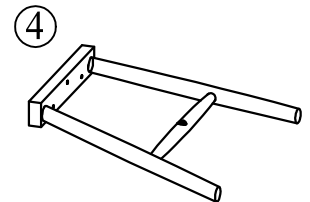
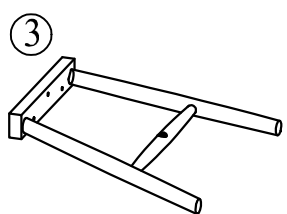
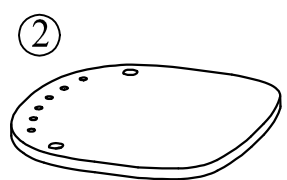
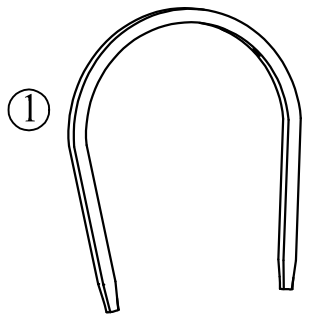
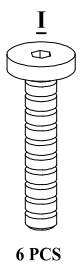
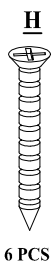
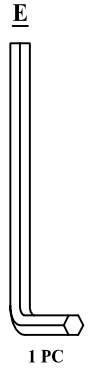
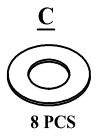
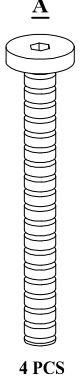


www.boraamindustries.com

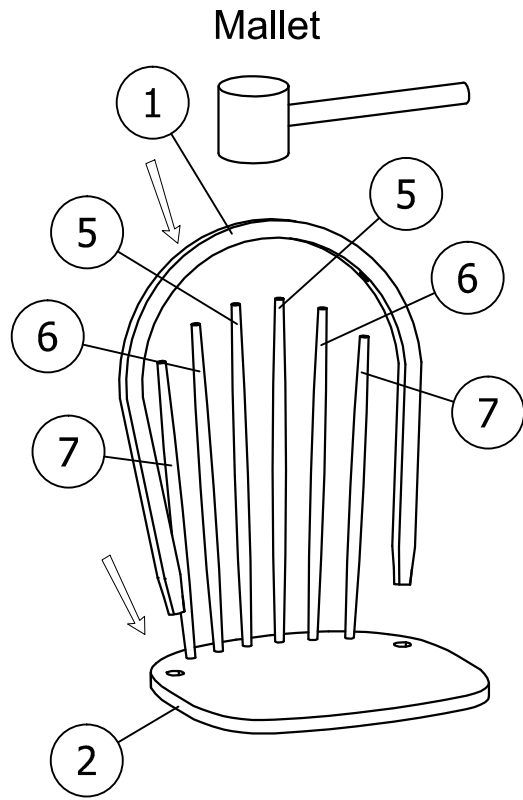
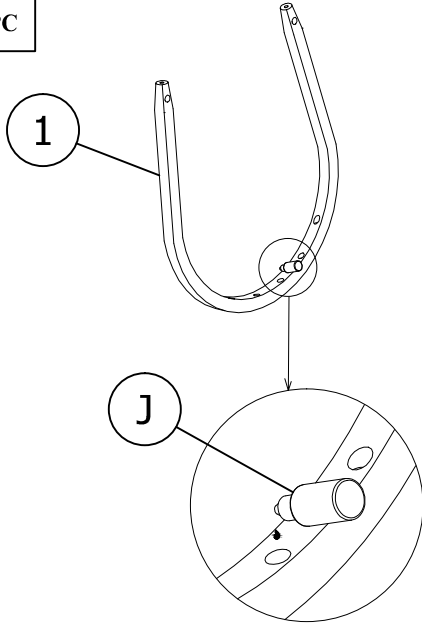


customerservice@boraamindustries.com

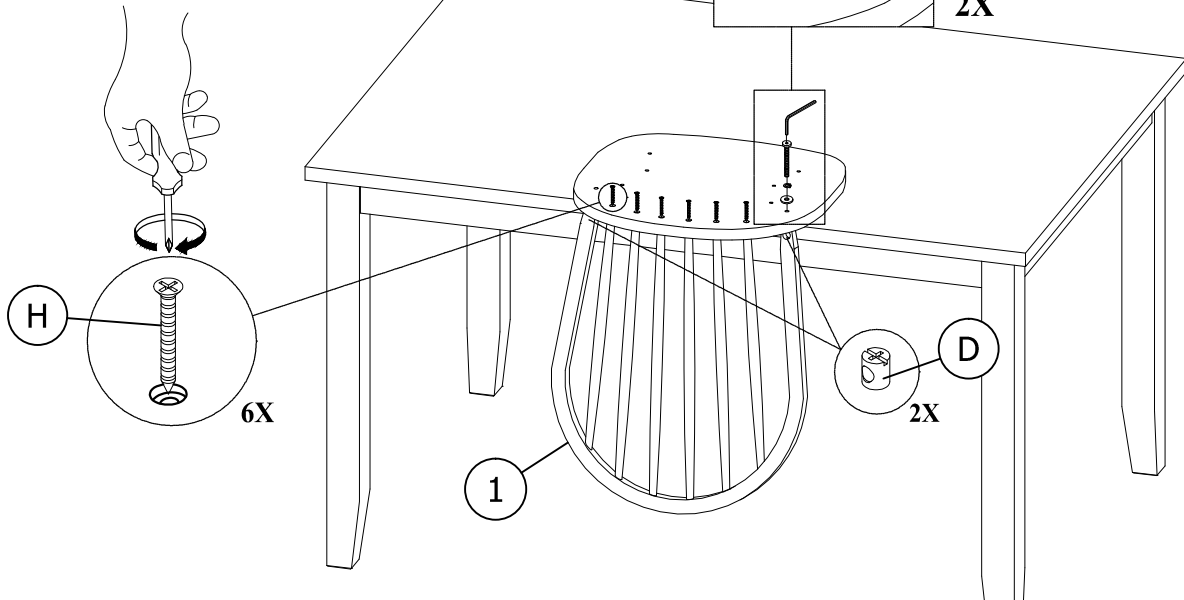
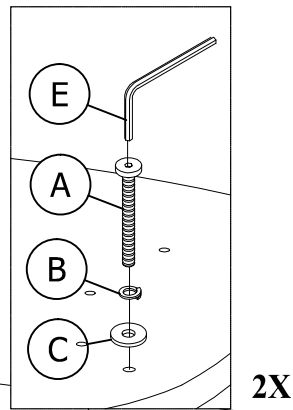
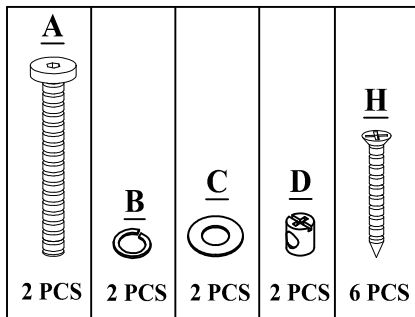
Mallet (Not provided)	Phillips Screwdriver (Not provided)
	



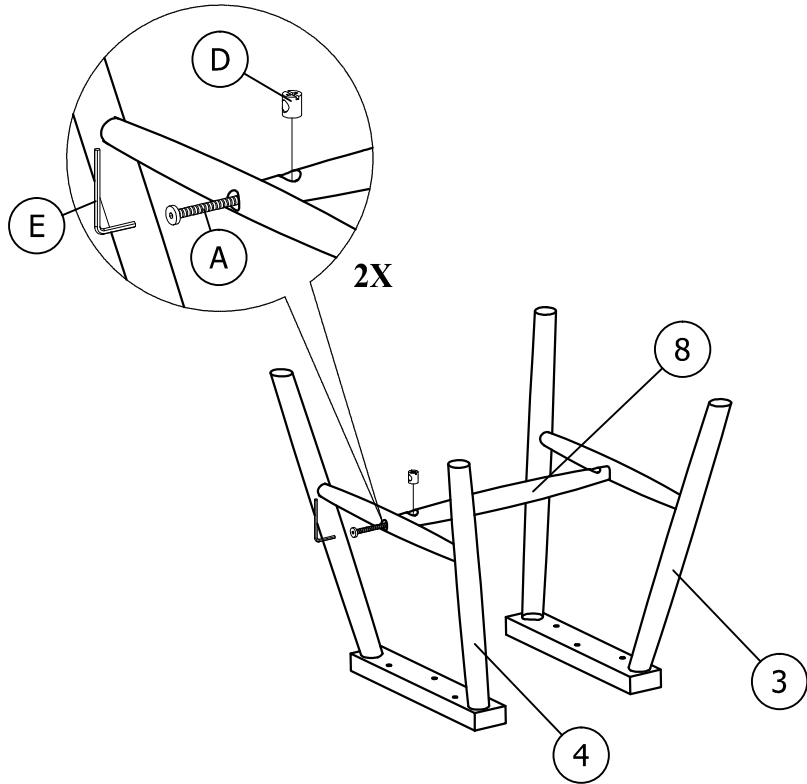
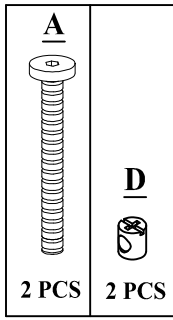
01



02

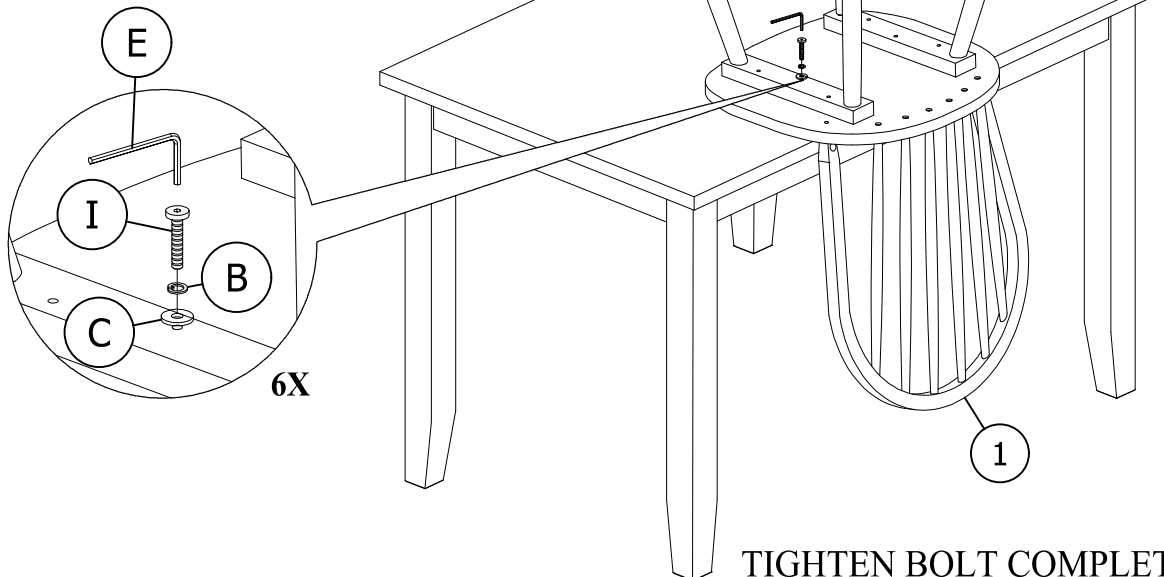
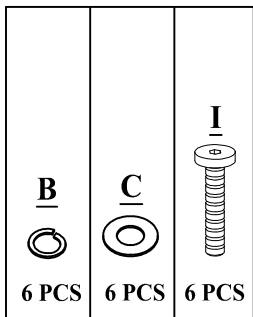


03





DO NOT TIGHTEN BOLT COMPLETELY.

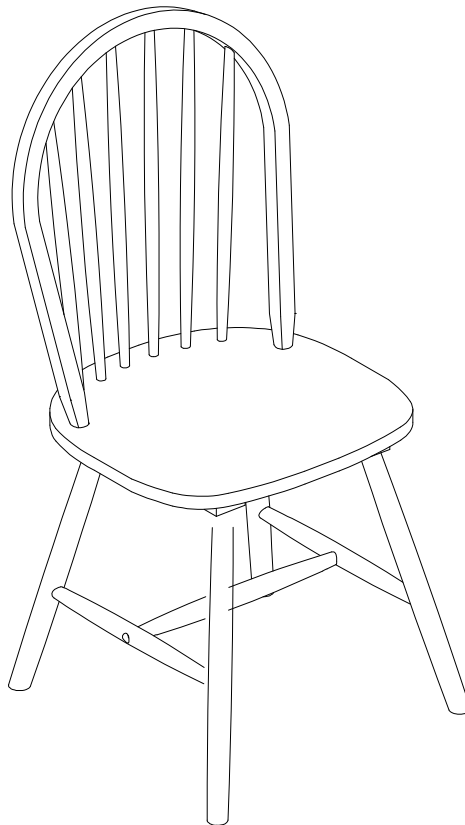
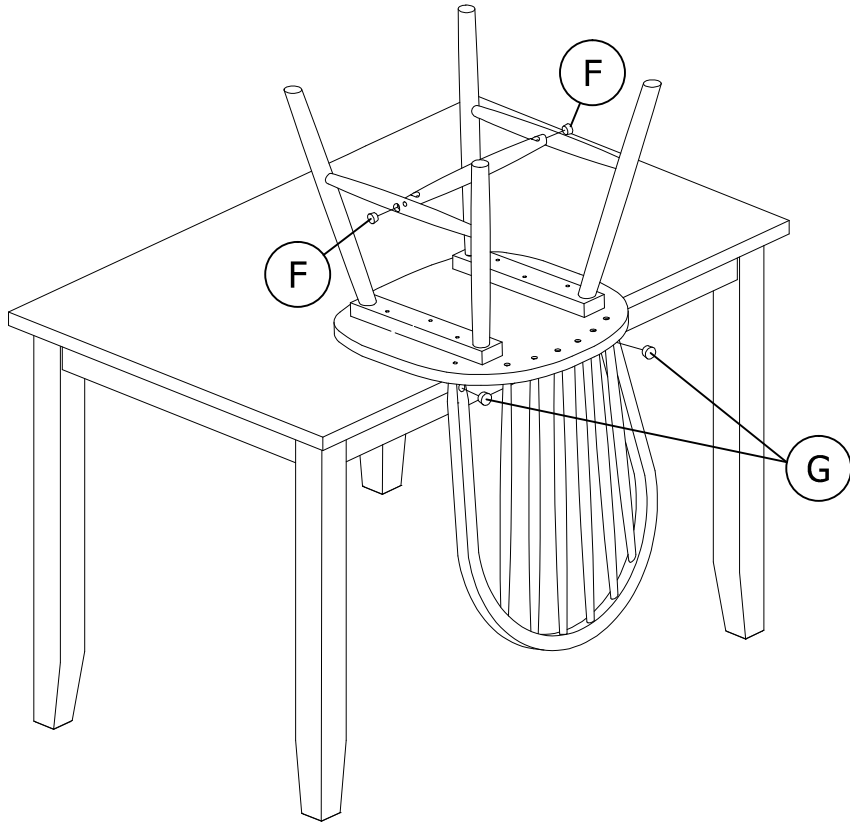
04



TIGHTEN BOLT COMPLETELY.

05

<u>F</u>  2 PCS	<u>G</u>  2 PCS
--	--



BE SURE TO CHECK ALL BOLTS ARE SECURELY TIGHTENED PRIOR USING THIS CHAIR.