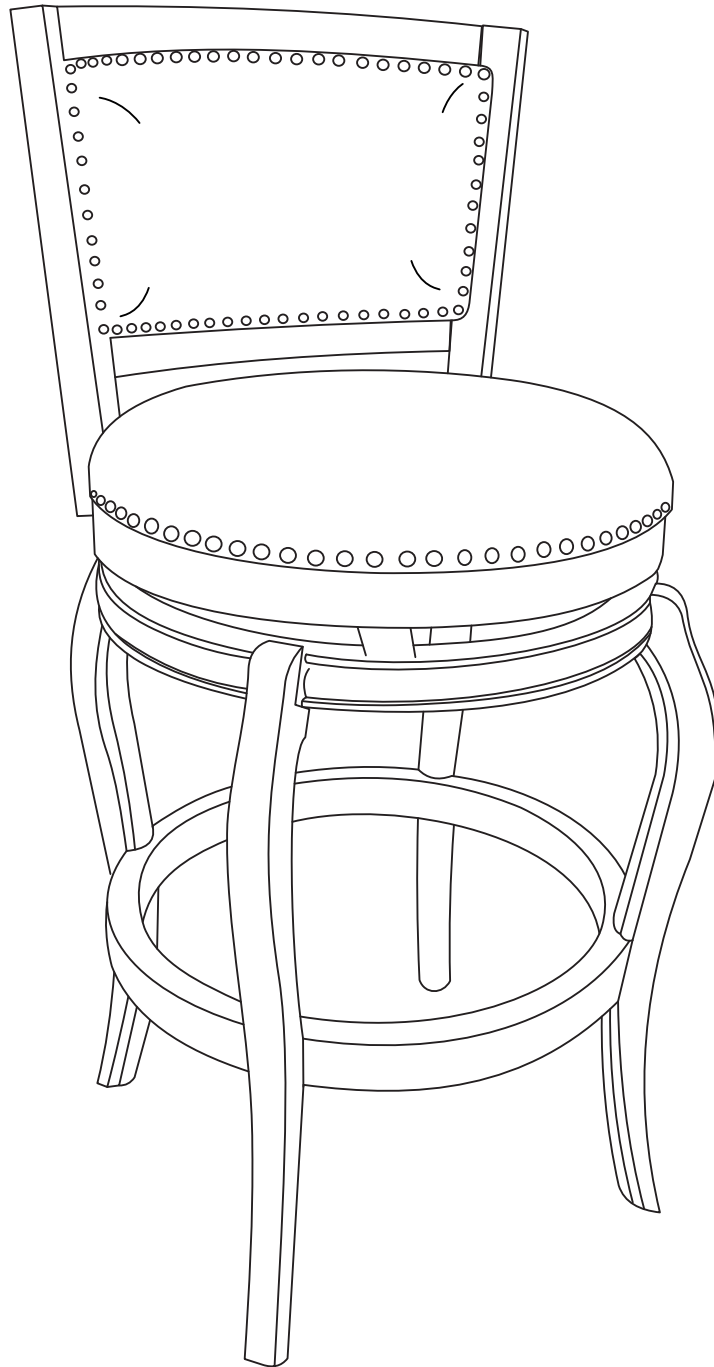




Boraam Industries

HARRIS SWIVEL STOOL

ASSEMBLY INSTRUCTIONS





PLEASE READ ME FIRST



- Have questions about assembling your item?



- Item or parts damaged?



- Missing a part?



- We're here to help!



(847)949-6300 (M-F, 9am-5pm CST)



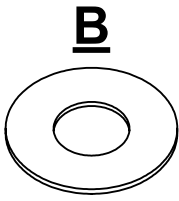
www.boraamindustries.com



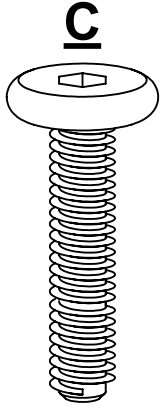
customerservice@boraamindustries.com



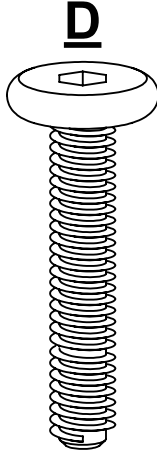
18 PCS



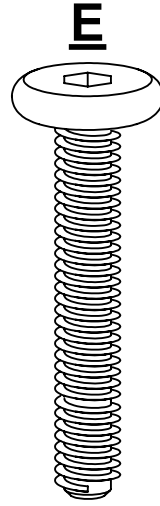
22 PCS



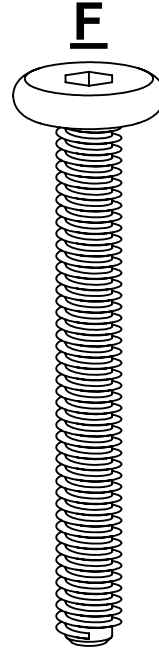
4 PCS



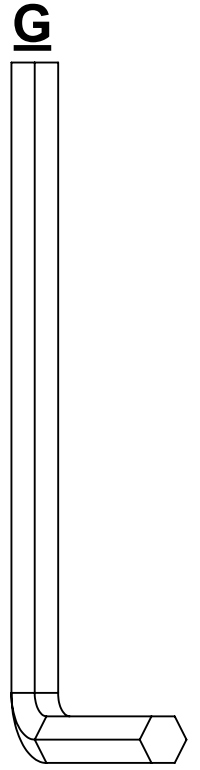
12 PCS



2 PCS

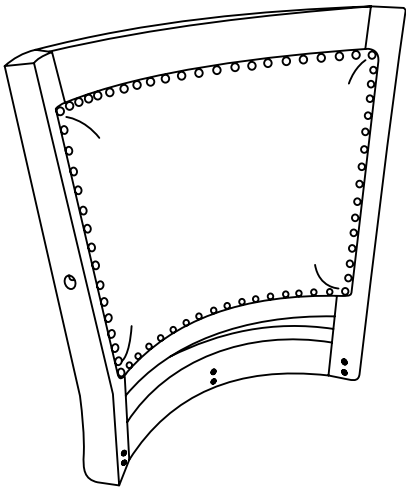


4 PCS

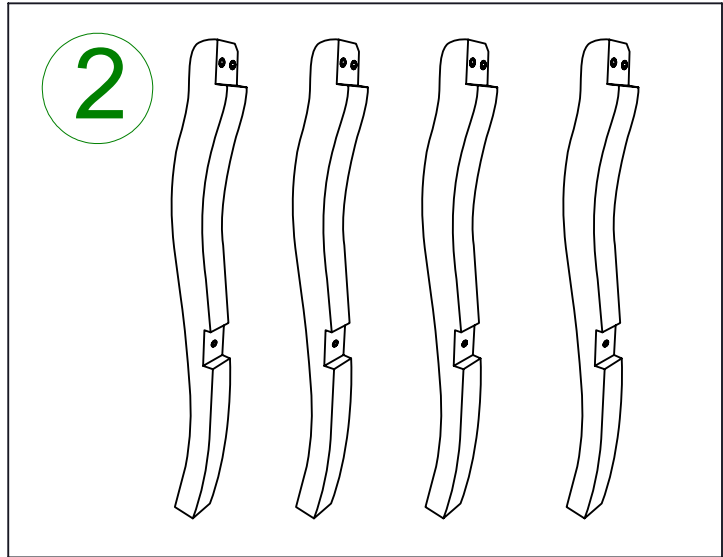


1 PCS

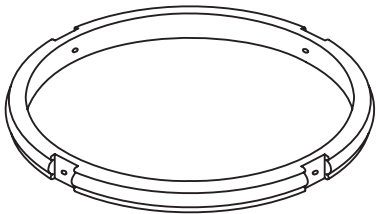
1



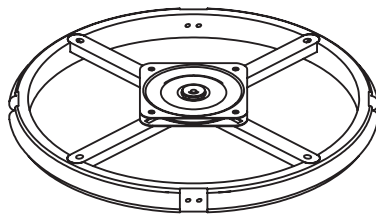
2



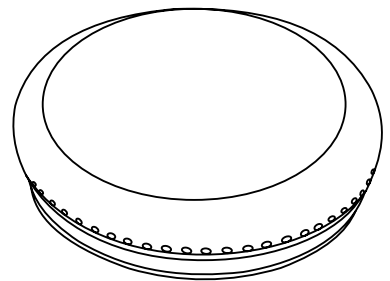
3



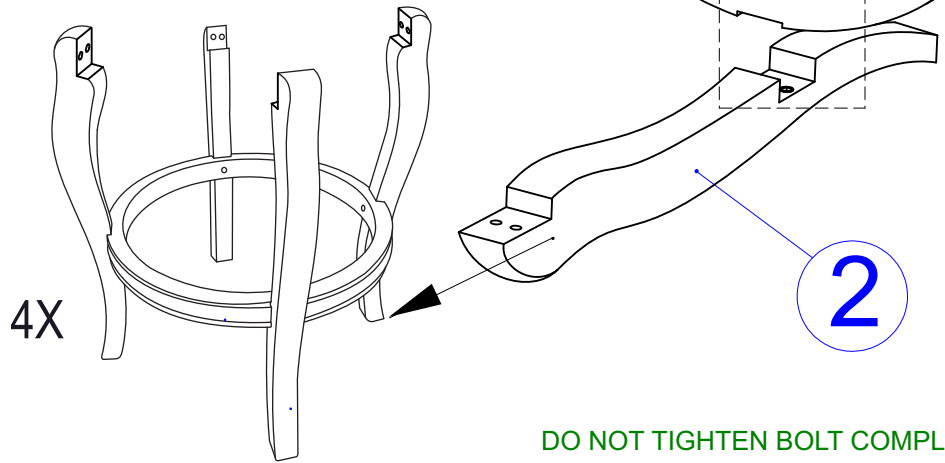
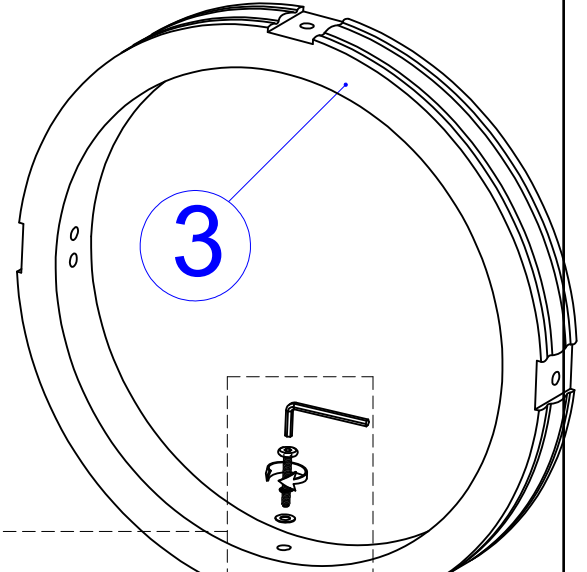
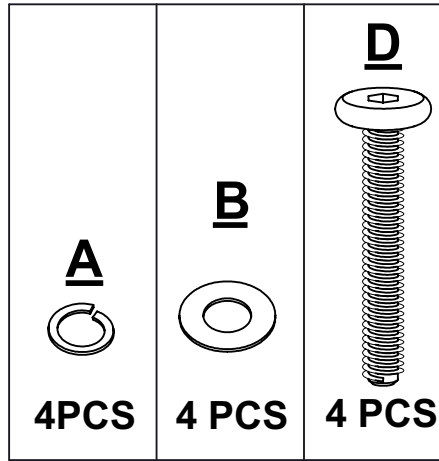
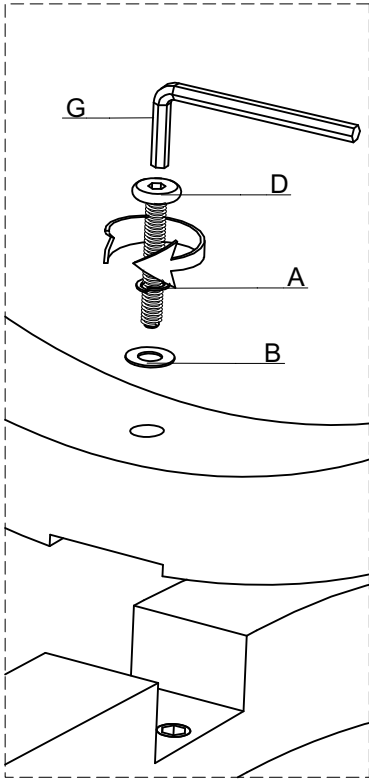
4



5

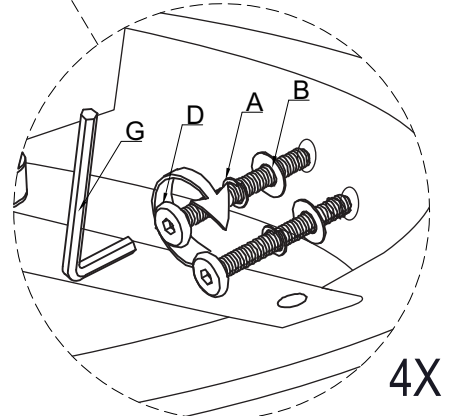
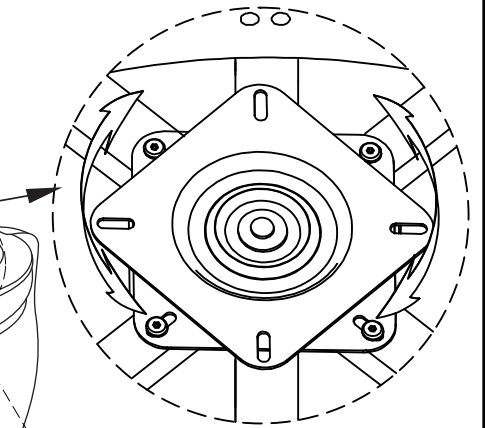
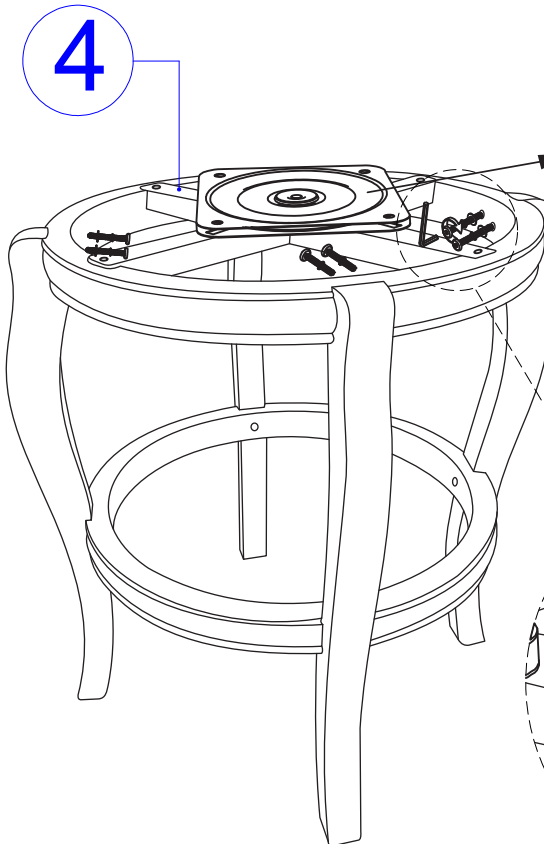
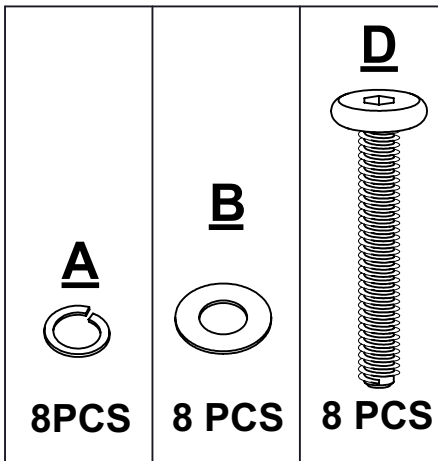


01



DO NOT TIGHTEN BOLT COMPLETELY.



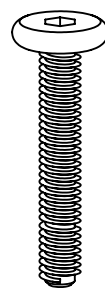
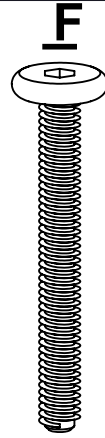
02

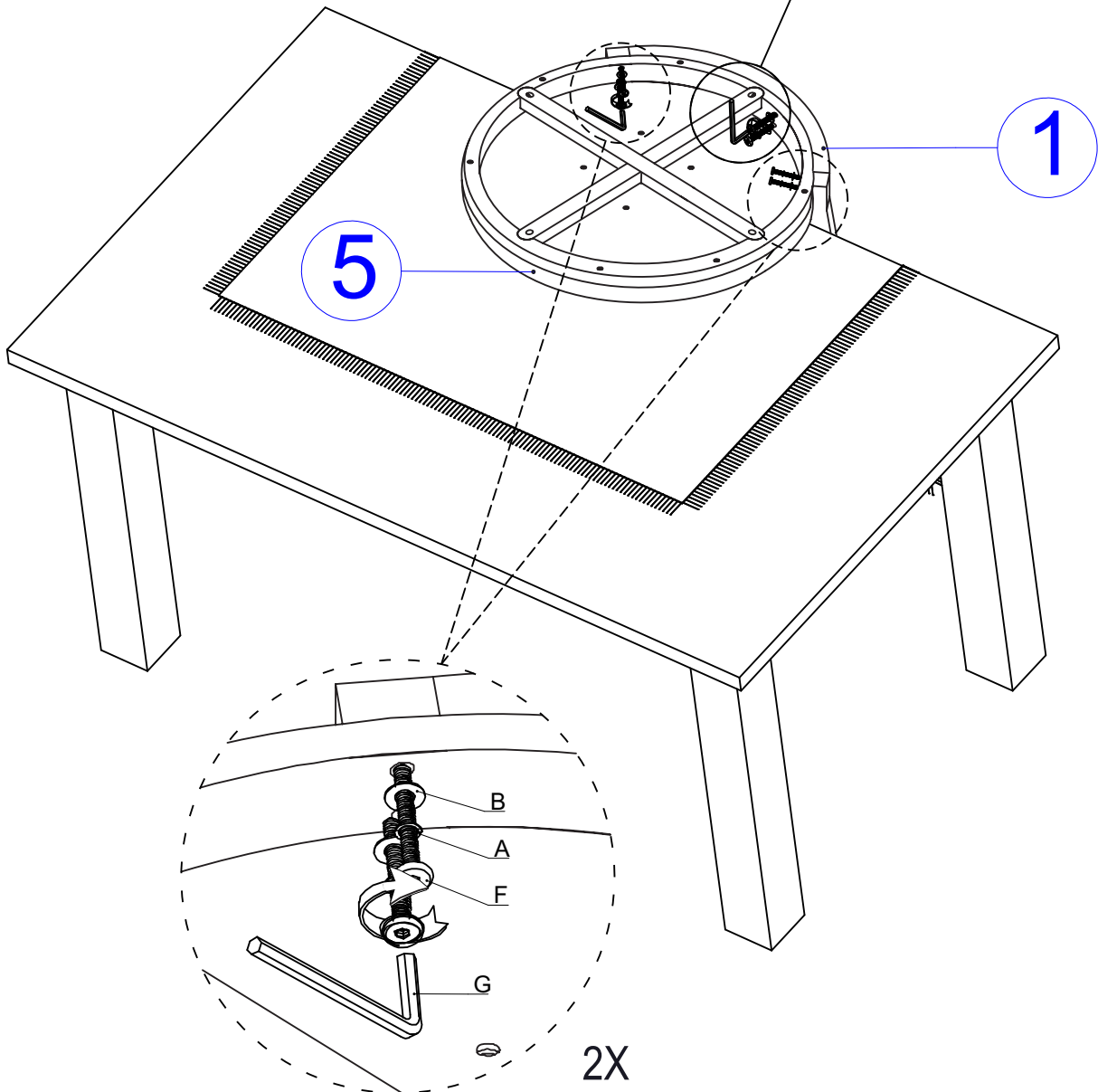
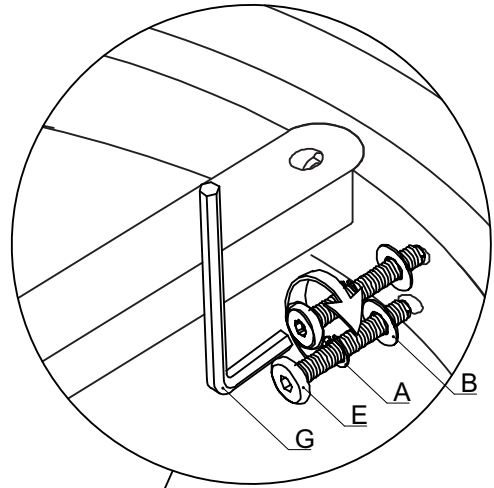


TIGHTEN BOLT COMPLETELY.

4X

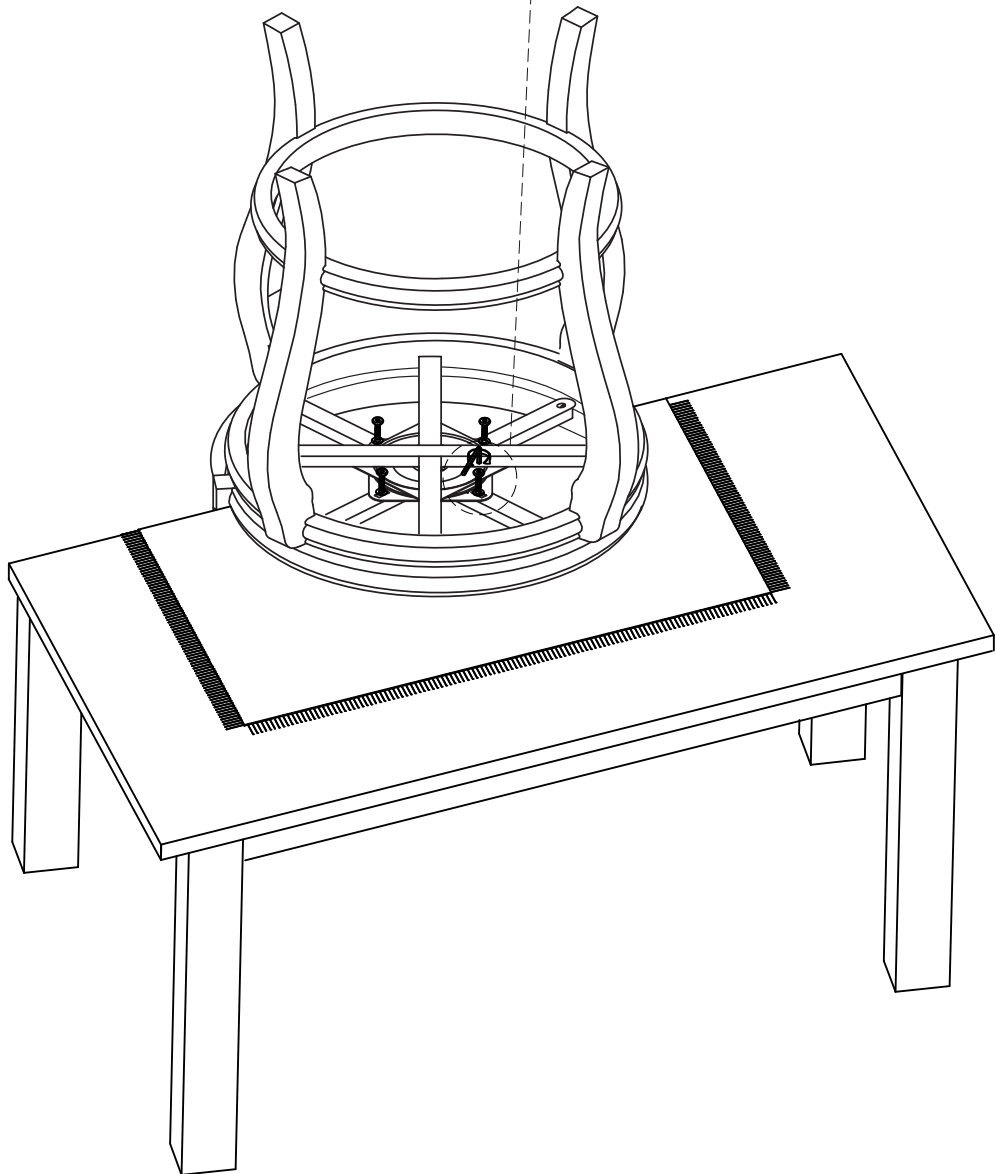
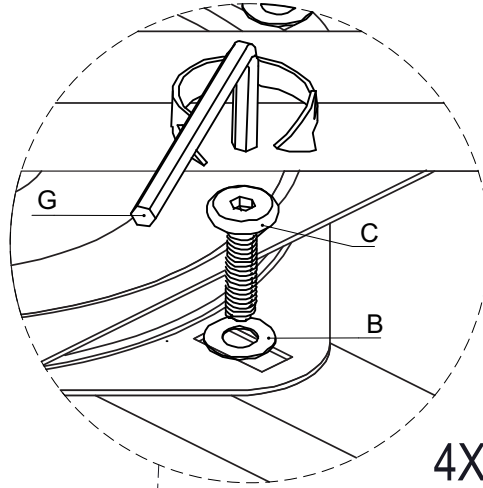
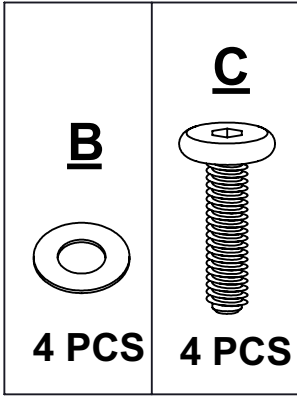
03

A  6 PCS	B  6 PCS	E  2 PCS	F  4 PCS
--	--	--	--

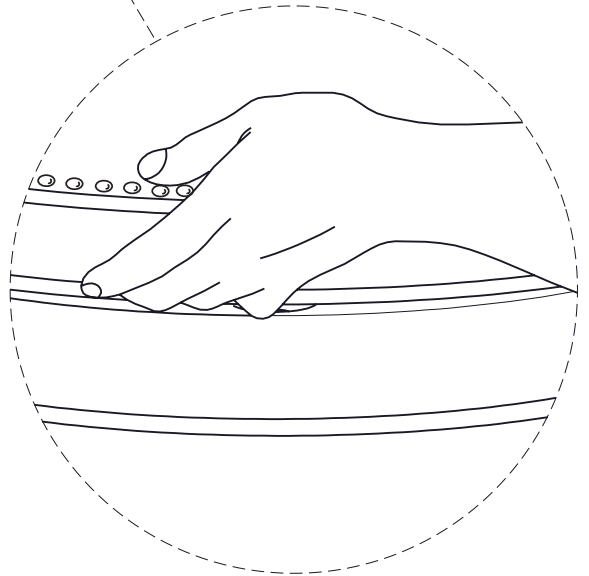
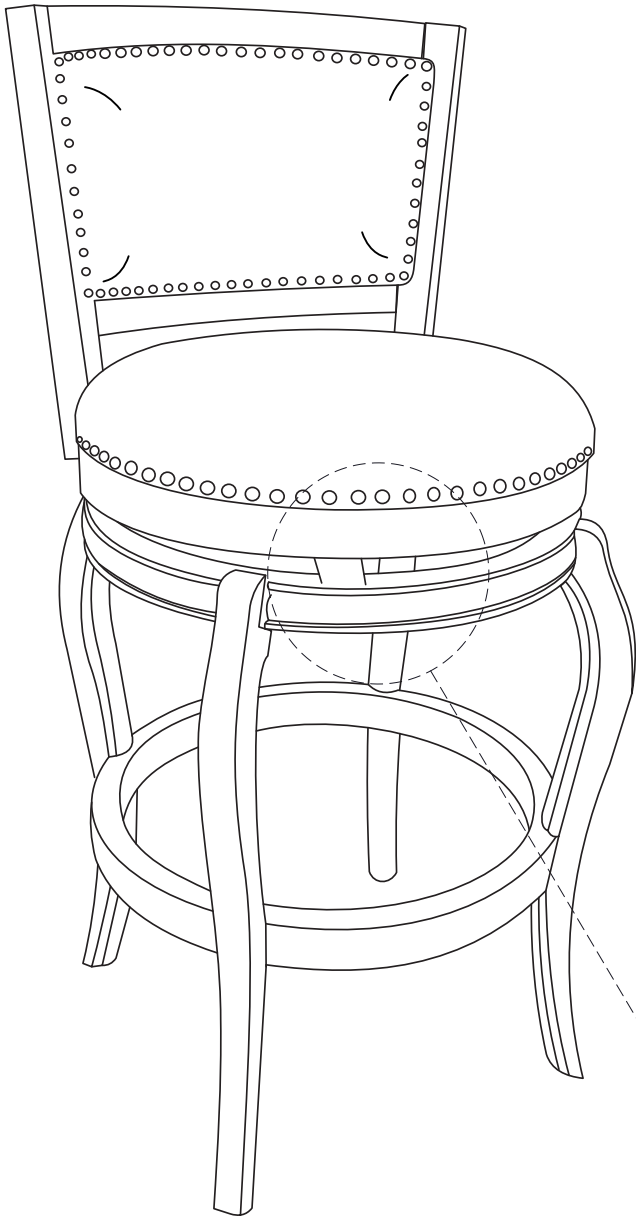


TIGHTEN BOLT COMPLETELY.

04



TIGHTEN BOLT COMPLETELY.



BE SURE TO CHECK ALL BOLTS ARE SECURELY
TIGHTENED PRIOR USING THIS STOOL.