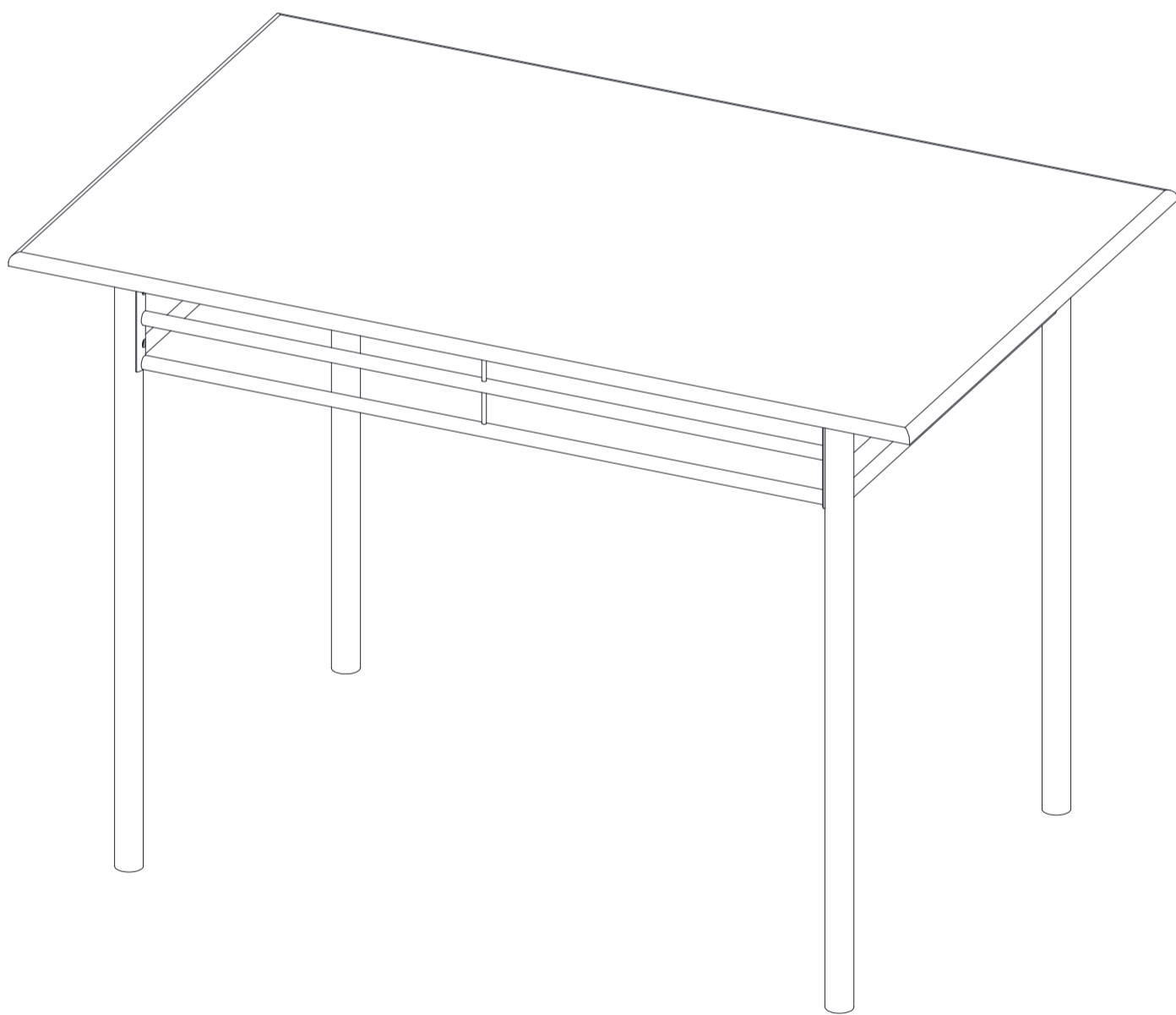



ASSEMBLY INSTRUCTION

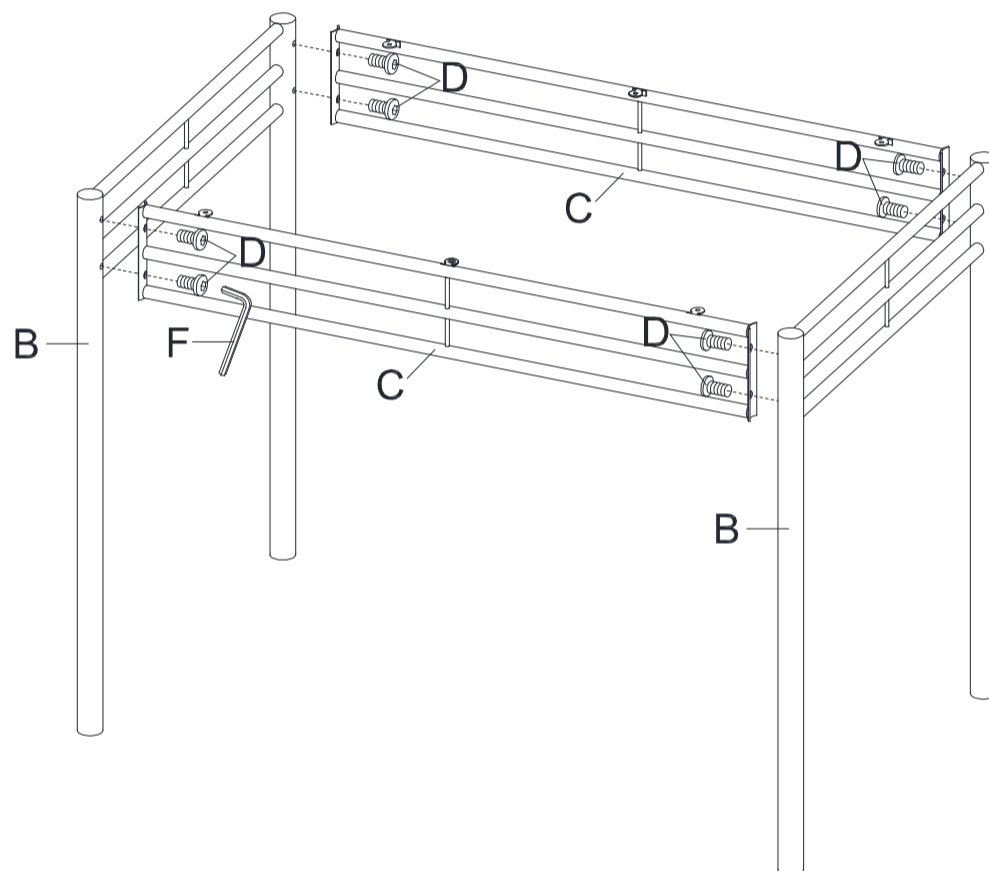
HM16781



PARTS AND HARDWARE LIST

A		1PC	D	 M6*10mm	8PCS
B		2PCS	E	 M4*15mm	6PCS
C		2PCS	F	 M6	1PC

STEP 1



STEP 2

