



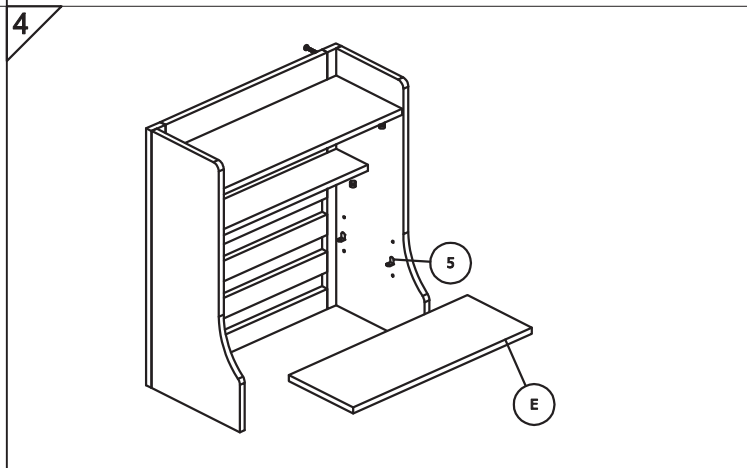
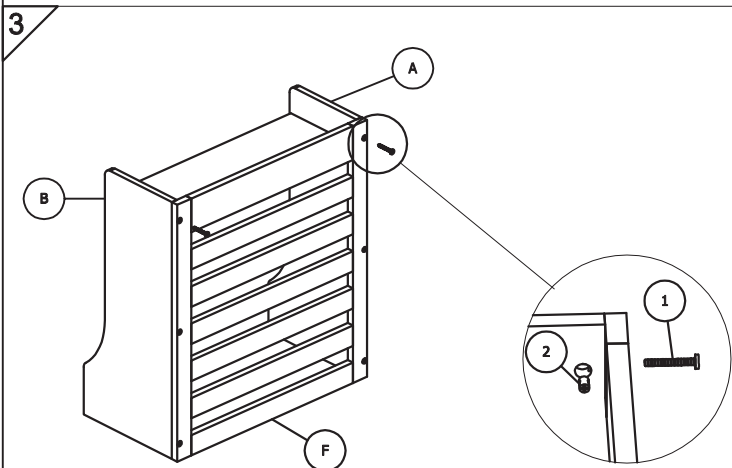
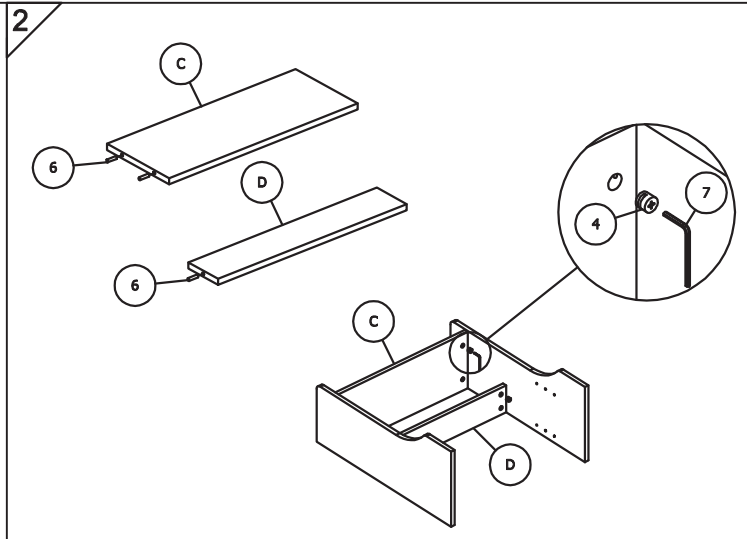
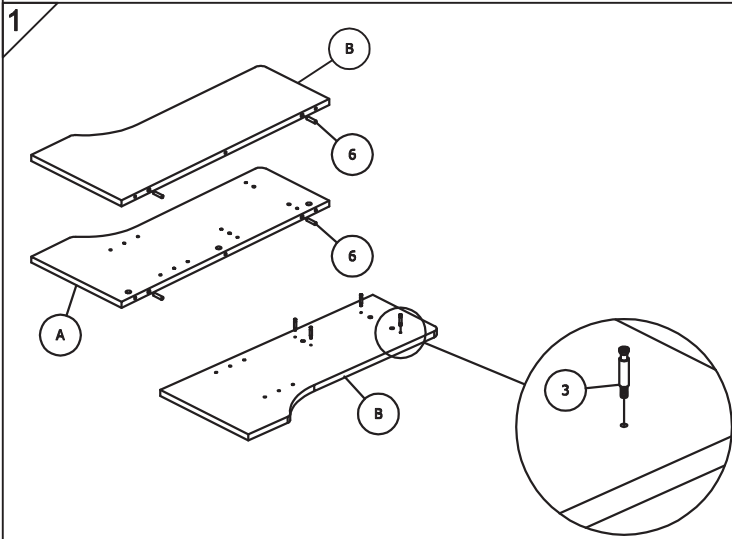
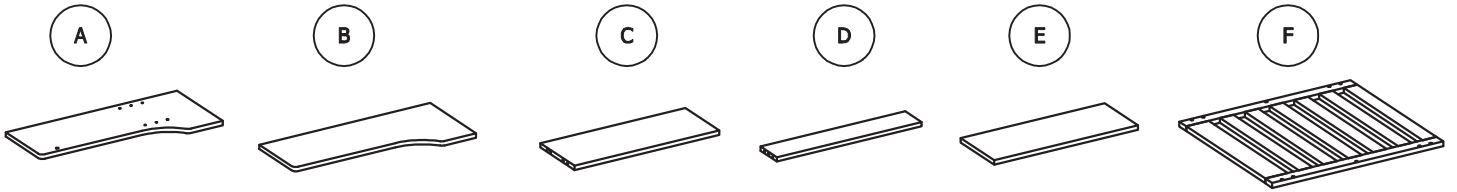
# Boraam Industries

## NAPA BAKER'S RACK - TOP ASSEMBLY INSTRUCTIONS

- All required tools are included.
- Locate and inspect all parts for missing items or damage prior to assembly.
- Do not dispose of packing materials until assembly is completed
- Assemble item on a soft, clean surface to prevent damage to the item.
- Proper assembly requires 2 people.

PART LIST		
ITEM	DESCRIPTION	QTY'
A	Left Side Panel	1 PC
B	Right Side Panel	1 PC
C	Top shelf	1 PC
D	Middle shelf	1 PC
E	Removable shelf	1 PC
F	Back Frame	1 PC

HARDWARE LIST			
NO.	DESCRIPTION	SKETCH	QTY'
1	JCBC Bolt M6 x 50mm		6 PCS
2	Barrel Nut		6 PCS
3	Cam Lock Nut		8 PCS
4	Cam Screw Fastener		8 PCS
5	Shelf Support		4 PCS
6	Wood Dowel Ø8 x 30mm		10 PCS
7	Allen Wrench M4		1 PC





# Boraam Industries

## NAPA BAKER'S RACK - BASE

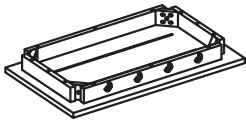
### ASSEMBLY INSTRUCTIONS

- All required tools are included.
- Locate and inspect all parts for missing items or damage prior to assembly.
- Do not dispose of packing materials until assembly is completed
- Assemble item on a soft, clean surface to prevent damage to the item.
- Proper assembly requires 2 people.

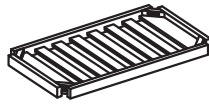
PART LIST		
ITEM	DESCRIPTION	QTY'
A	Top	1 PC
B	Middle shelf	1 PC
C	Bottom Shelf	1 PC
D	Table Leg	4 PCS
E	Back Support Bar	2 PCS

HARDWARE LIST			
NO.	DESCRIPTION	SKETCH	QTY'
1	JCBC Bolt M6 x 50mm		16 PCS
2	Spring Washer M6 x 13mm		16 PCS
3	Flat Washer M6 x 19mm		16 PCS
4	Crew 4 x 25mm		12 PCS
5	Allen Wrench M4		1 PC

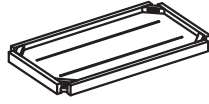
A



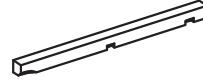
B



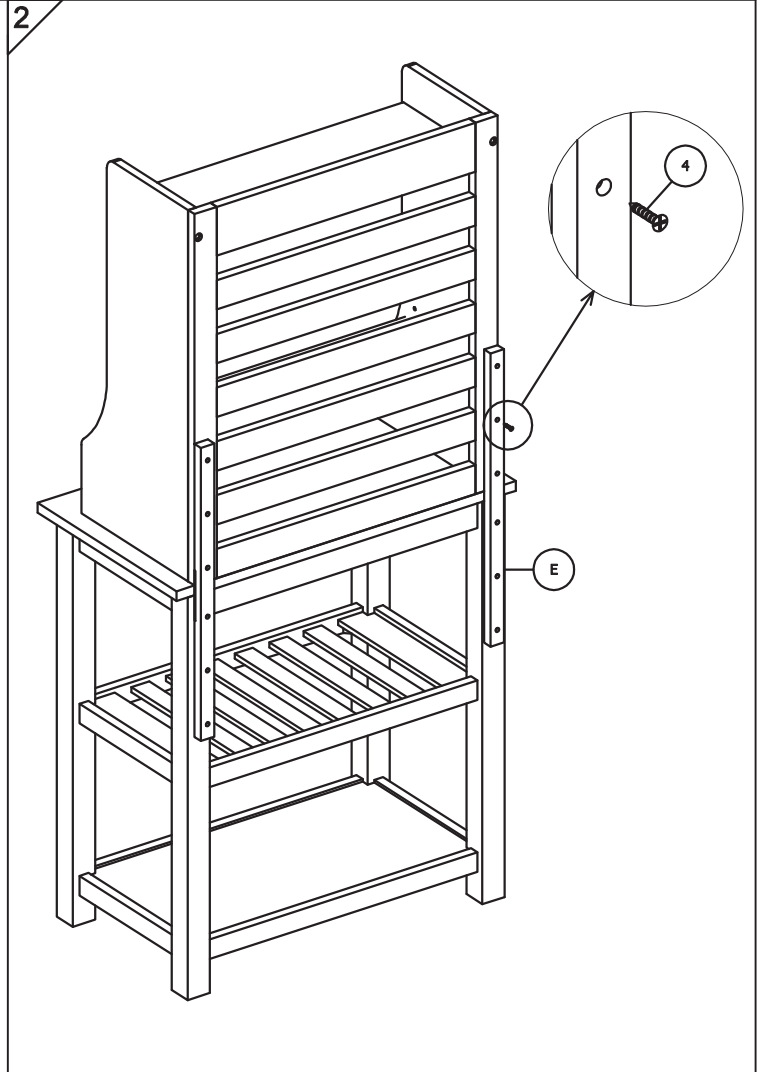
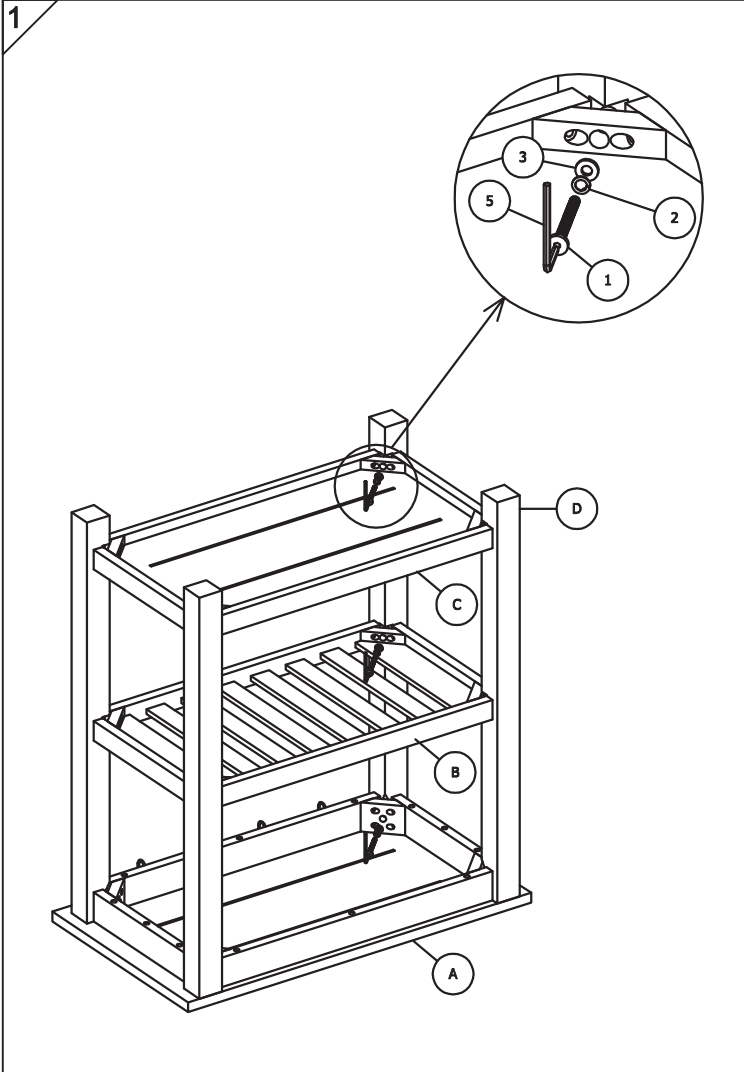
C



D



E





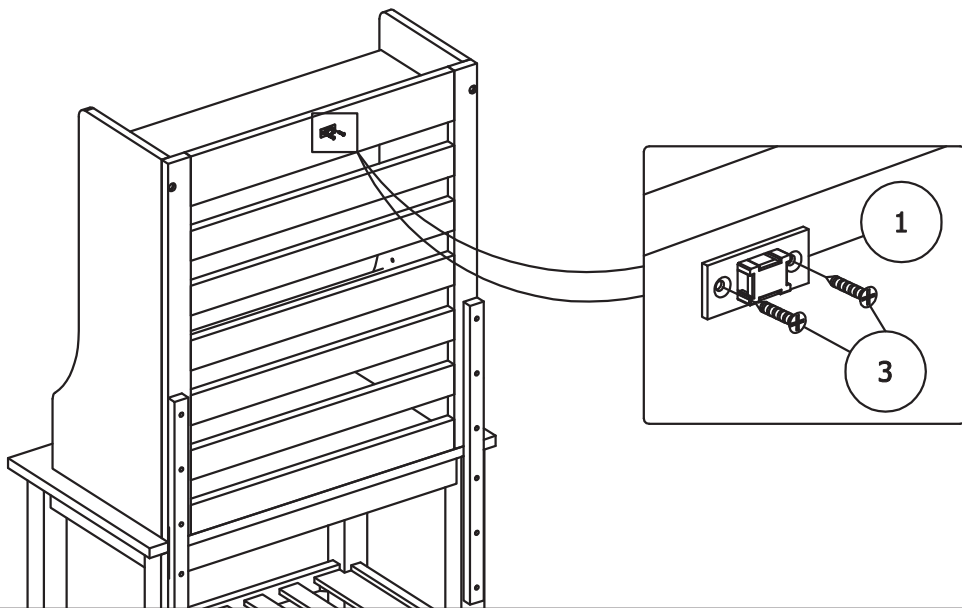
# Boraam Industries

## WALL STUD - SAFETY BRACKET

### ASSEMBLY INSTRUCTIONS

No	Qty	Description	No	Qty	Description
1	2 pcs	Plastic bracket	3	2 pcs	Short screw 4 x 15mm
2	1 pc	Plastic strap	4	2 pcs	Long screw 4 x 30mm

#### STEP 1



#### STEP 2

