





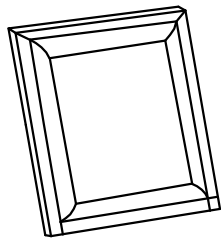


ROCKING CHAIR
Assembly Instructions
18117

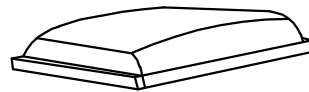
- . Tools included
- . Do not throw away packaging materials until assembly is complete
- . Assemble this item on a soft, clean surface to protect the product
- . Proper assemble requires 2 people
- . Make sure all parts are included prior to assembling

PART LIST		
ITEM	DESCRIPTION	QTY
A	Chair Back	1PC
B	Chair Seat	1PC
C	Left Armrest	1PC
D	Righ Armrest	1PC
E	Chair Back Support	1PC

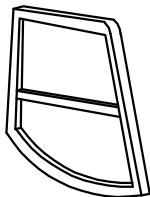
PART LIST		
ITEM	DESCRIPTION	QTY
1	Allen Wrench (M8) 	1PC
2	Screw M8*60MM 	2PCS
3	Screw M8*50MM 	6PCS
4	Washer 	8PCS



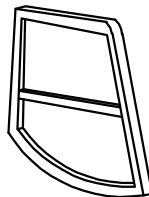
A



B



C

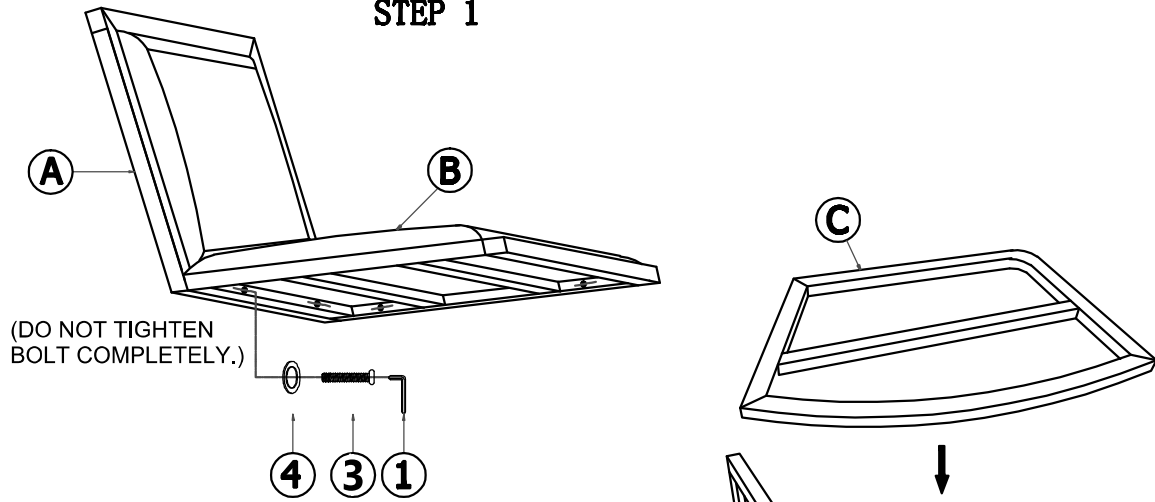


D



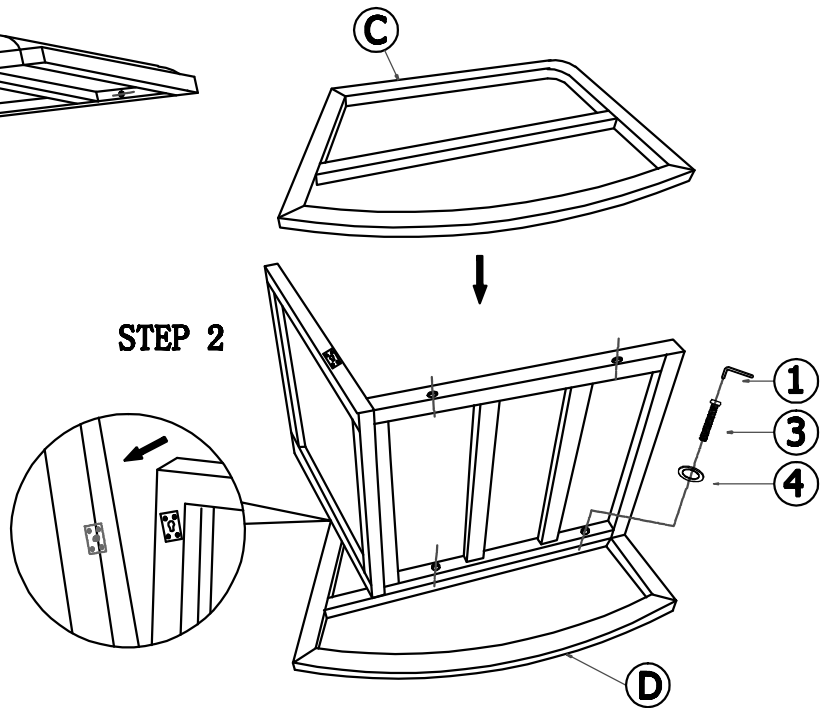
E

STEP 1

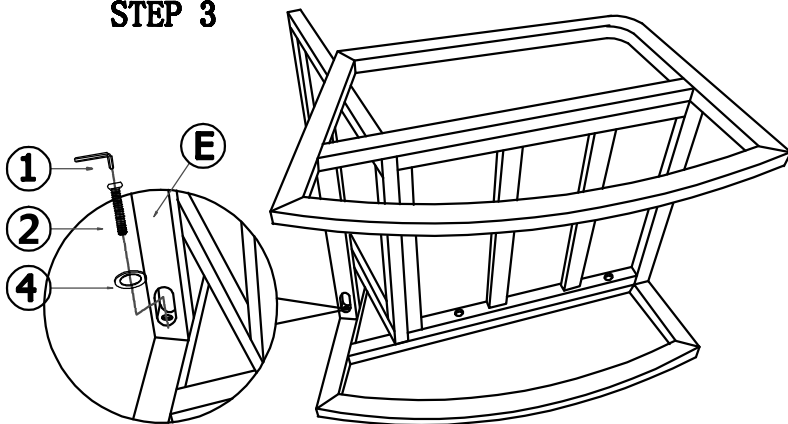


STEP 2

The screw holes are behind the black cloth.

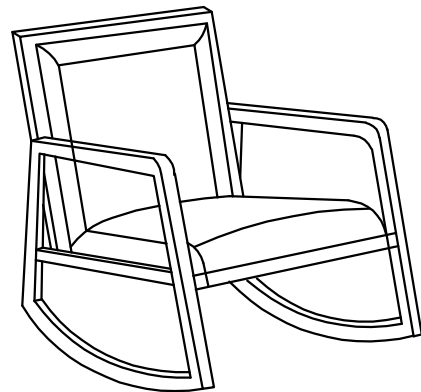


STEP 3



TIGHTEN ALL BOLTS COMPLETELY.

STEP END



BE SURE TO CHECK ALL BOLTS ARE SECURELY TIGHTENED PRIOR USING THIS STOOL.