



BENTON DRESSER

Assembly Instructions

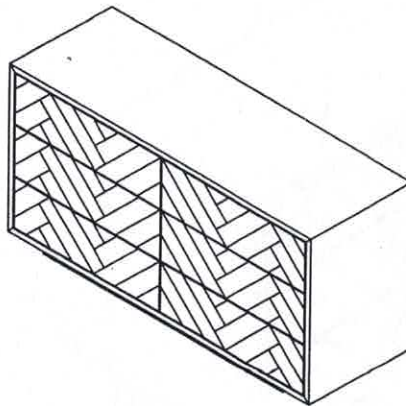
18146

- . Tools Included
- . Do not throw away packaging materials until assembly is complete
- . Assemble this item on a soft, clean surface to protect the product
- . Proper assemble requires 2 people
- . Make sure all parts are included prior to assembling

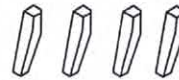
| PART LIST | | |
|-----------|--------------|------|
| ITEM | DESCRIPTION | QTY |
| A | Cabinet Body | 1PC |
| B | Leg | 4PCS |

| HARDWARE LIST | | |
|---------------|--|------|
| ITEM | DESCRIPTION | QTY |
| 1 | Screw M8*60MM  | 8PCS |
| 2 | Allen Wrench  | 1PC |
| 3 | Lock Washer  | 8PCS |
| 4 | Washer M8*20MM  | 8PCS |

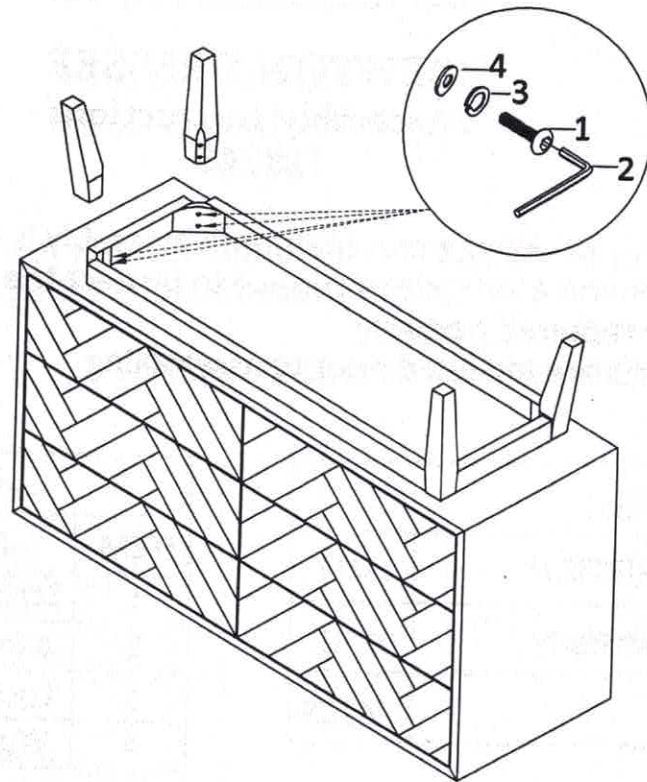
A



B



STEP 1



THE END

