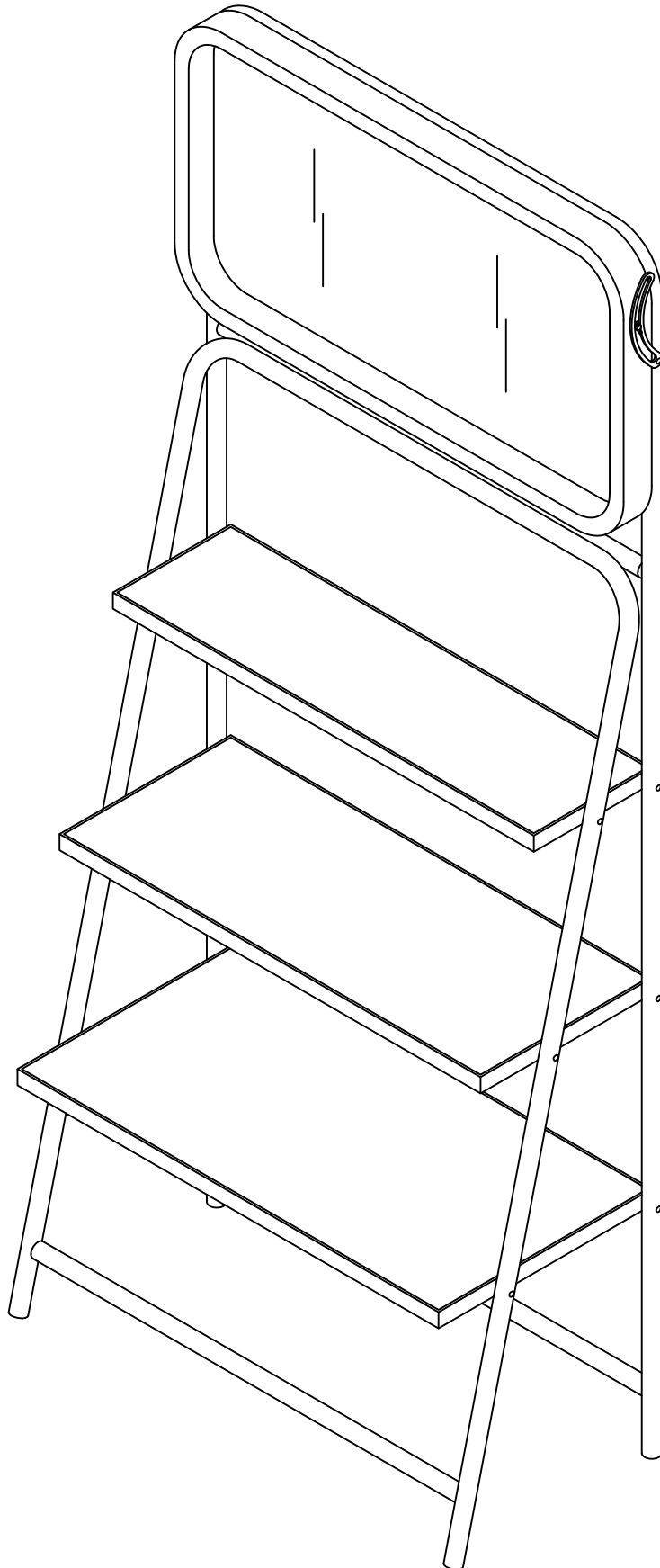




GLORA MIRROR SHELF
ASSEMBLY INSTRUCTIONS
19013





PLEASE READ ME FIRST



- Have questions about assembling your item?



- Item or parts damaged?



- Missing a part?



- We're here to help!



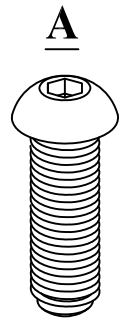
(847)949-6300 (M-F, 9am-5pm CST)



www.burnhamhomedesign.com



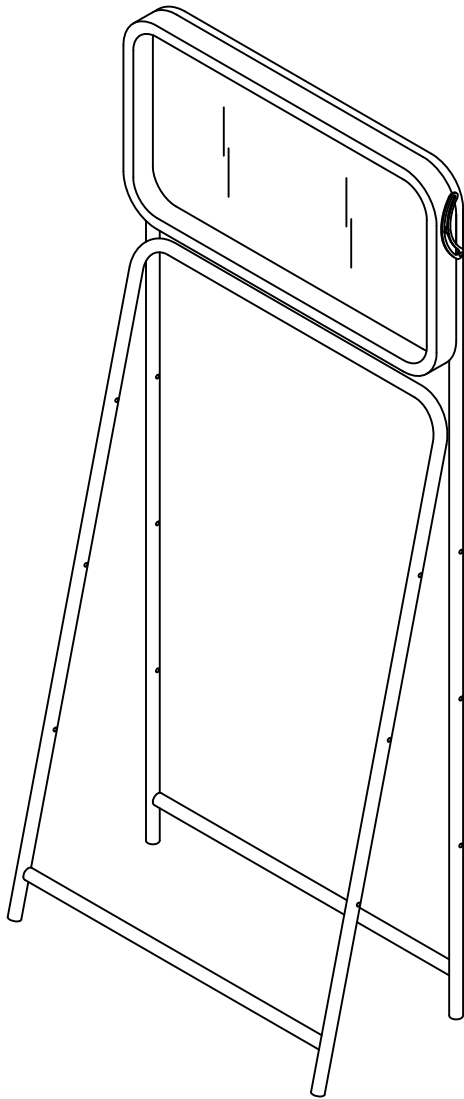
customerservice@burnhamhomedesign.com



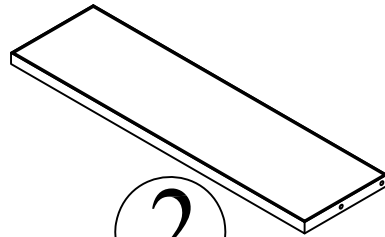
A
M8*40
12 PCS



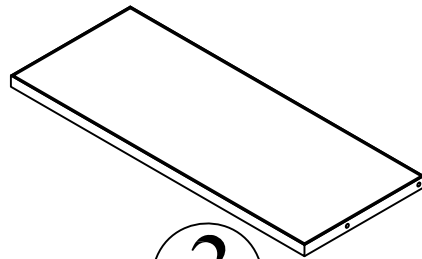
B
1PC



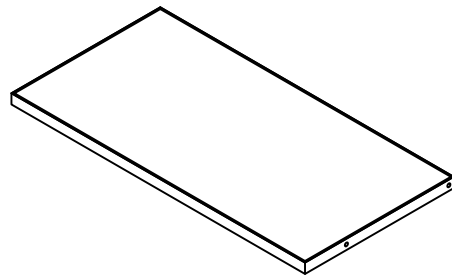
1



2

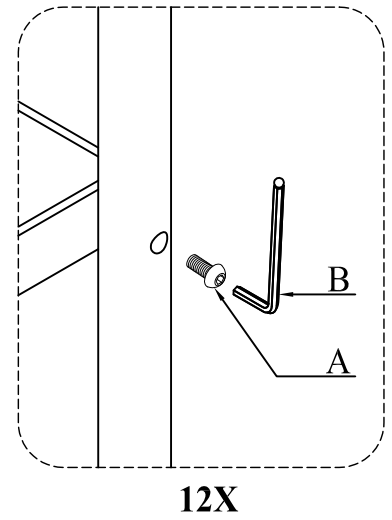
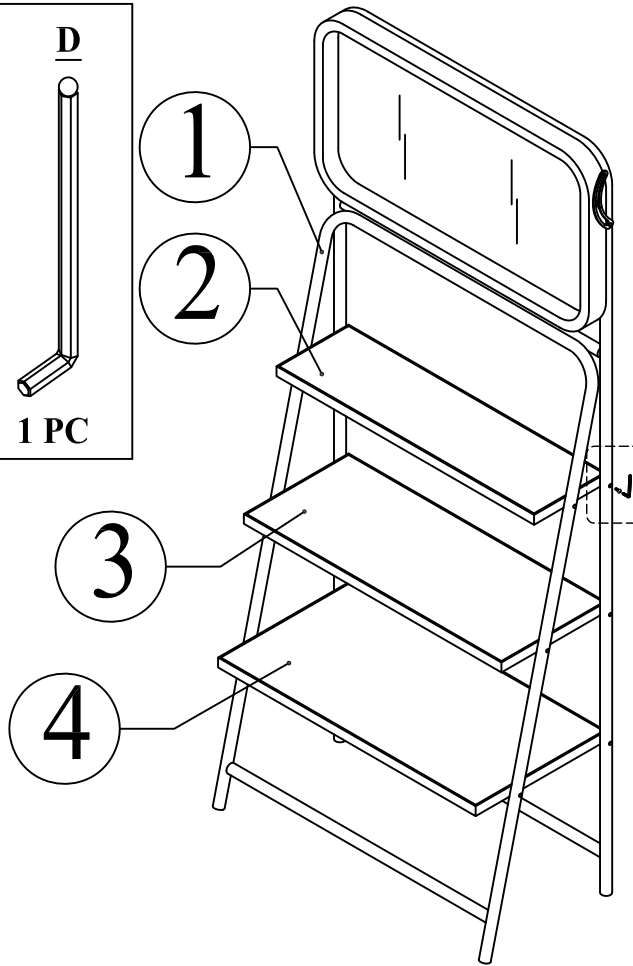
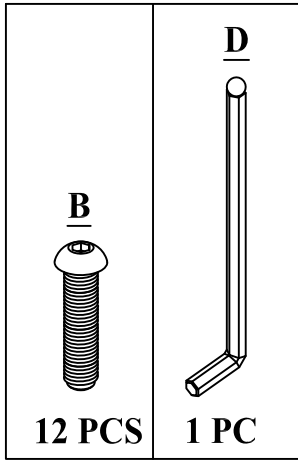


3



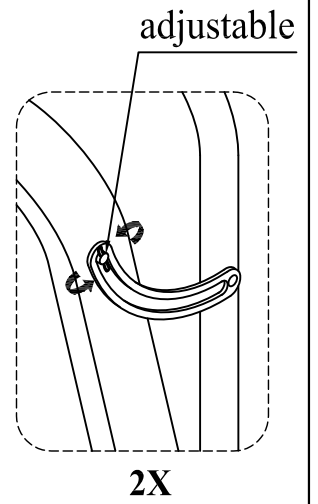
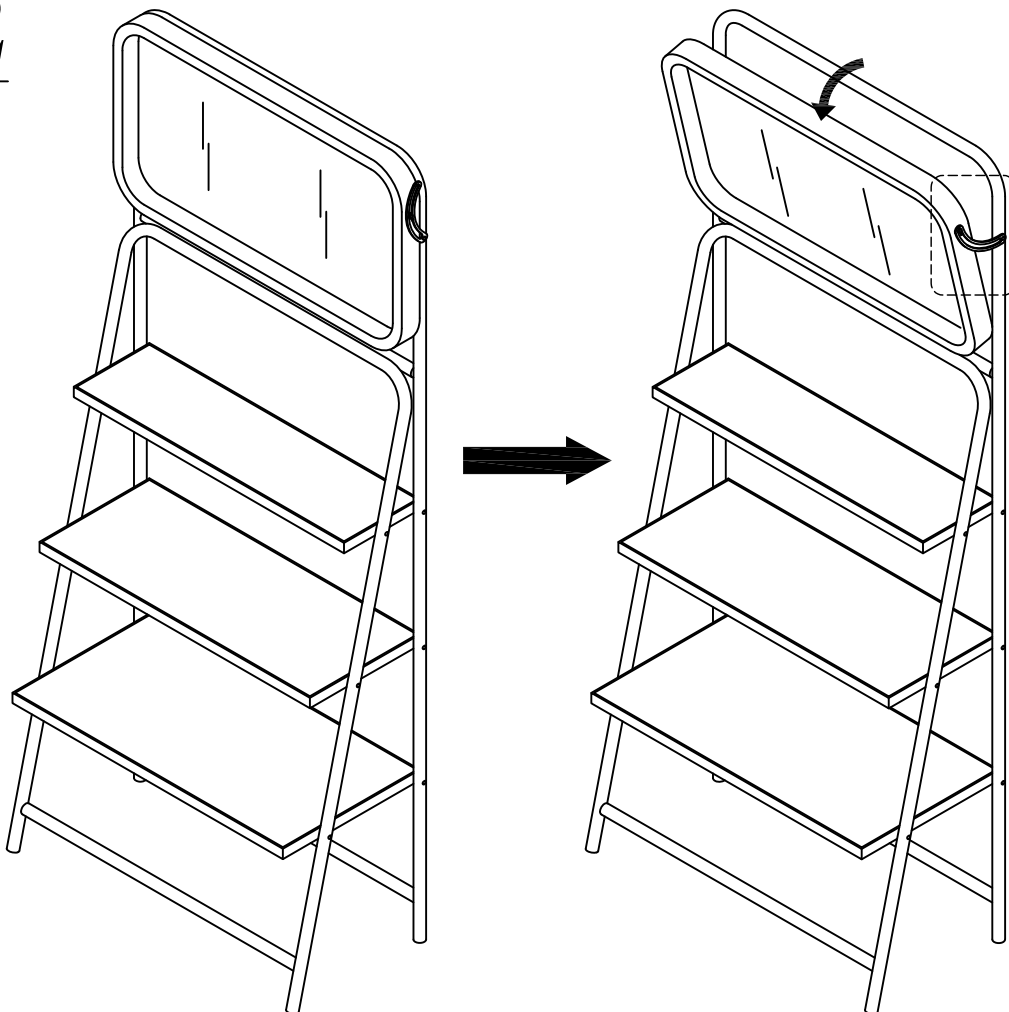
4

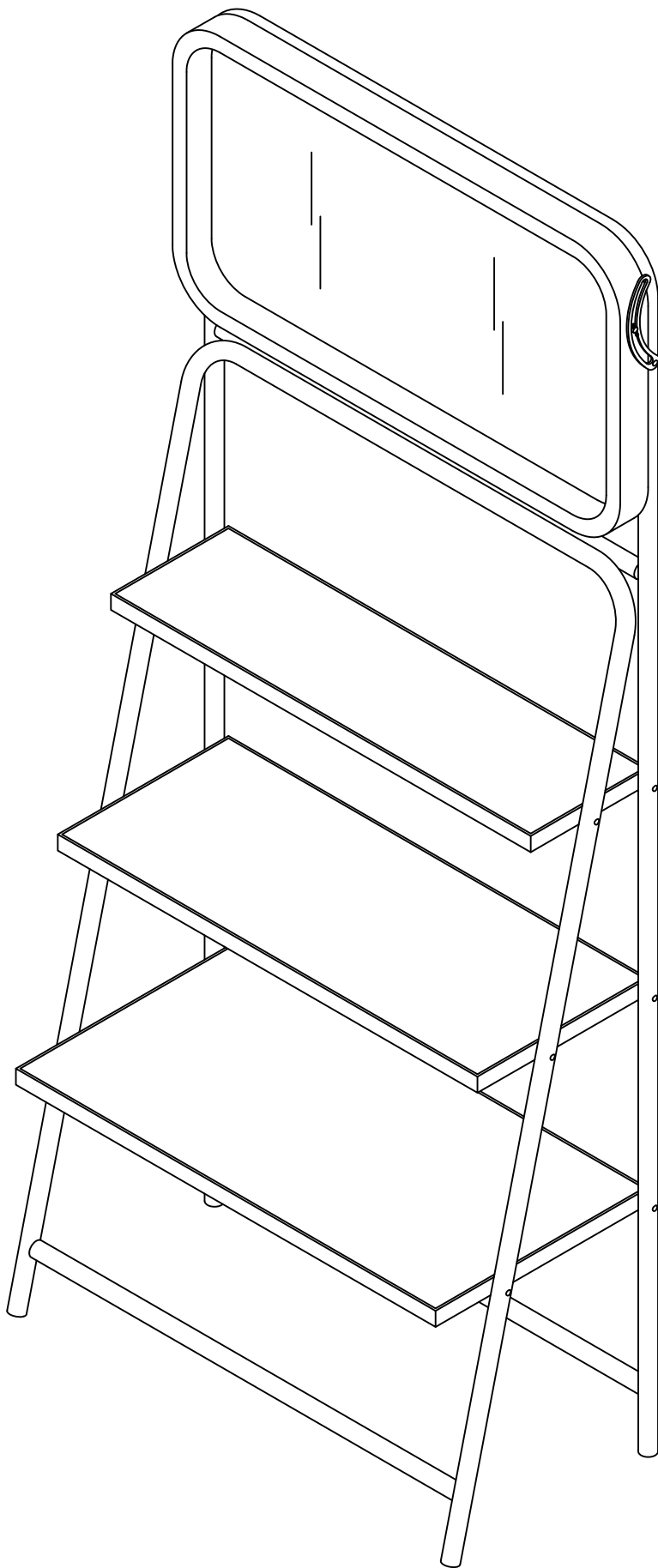
01



TIGHTEN BOLT COMPLETELY.

02








BE SURE TO CHECK ALL BOLTS ARE SECURELY
TIGHTENED PRIOR USING THIS MIRROR SHELF

Tip- Resistant Furniture Safety Brackets

- . Designed to Prevent Furniture Tipped over
- . Detachable Strap Allows for Easy Moving of the Furniture for Cleaning

Hardware List	
	4 PCS
	4 PCS
	2 PCS

