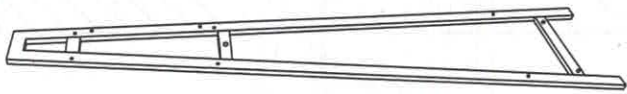
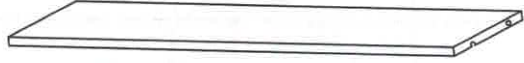
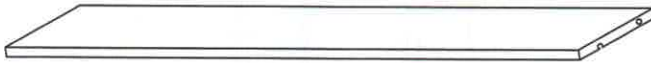



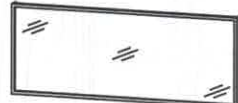
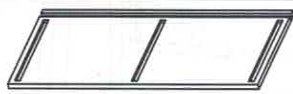

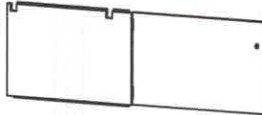
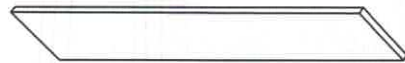
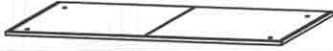



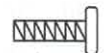
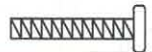
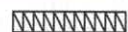
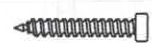
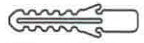



Parts List

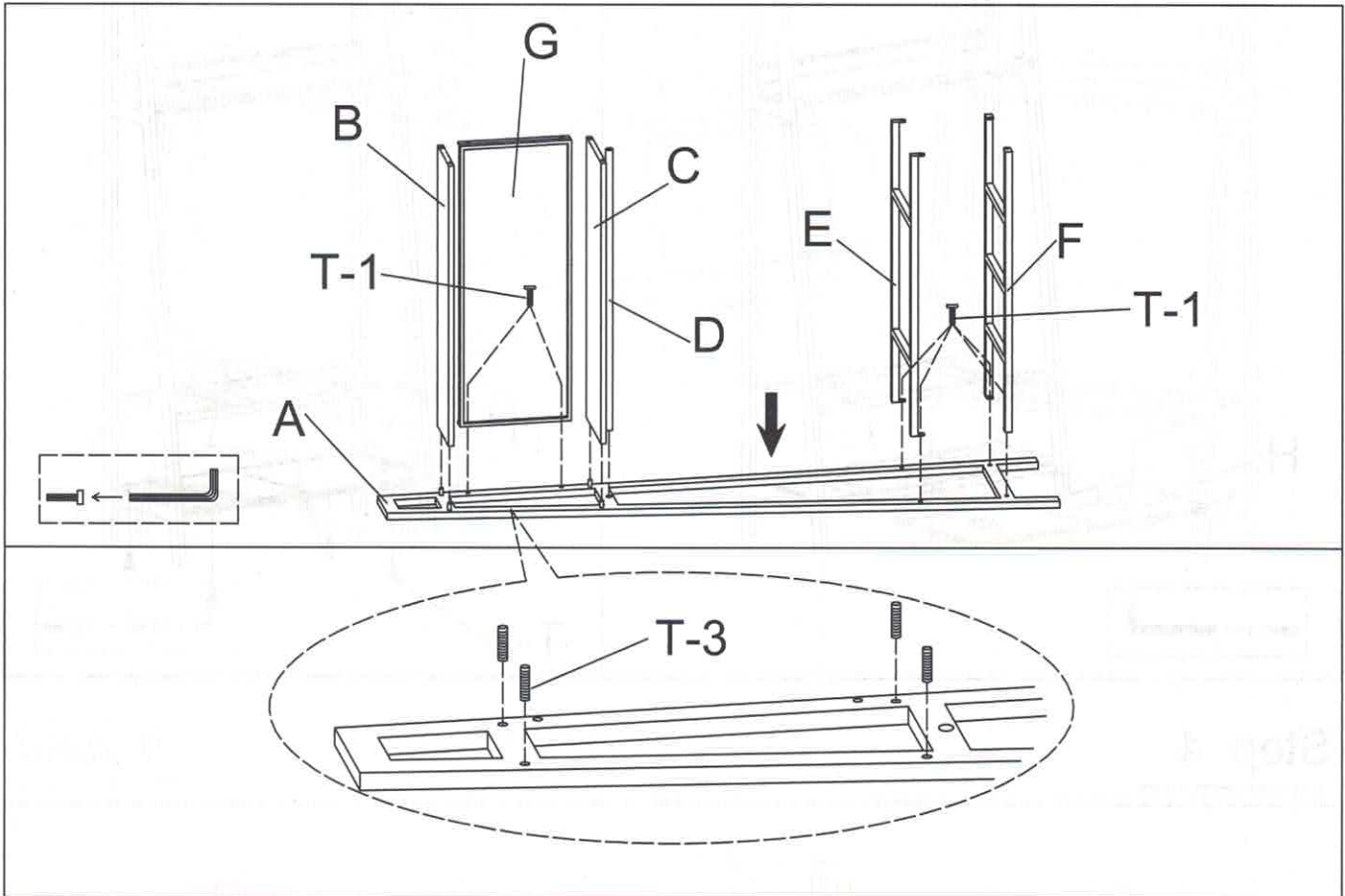
lable	Picture	Description	Qty
A			2
B			1
C			1
D			1
E			1
F			1
G			1
H			1
I			1
J			2
K			1
L			1
M	 (M4X30)		2
N			2
O			2
T - 1	 (M6X15)	Bolt	12
T - 2	 (M6X35)	Bolt	8
T - 3		Bolt	8
T - 4		Bolt	4
T - 5		Expansion Tube	4
T - 6		Allen key	1

Assembly Steps

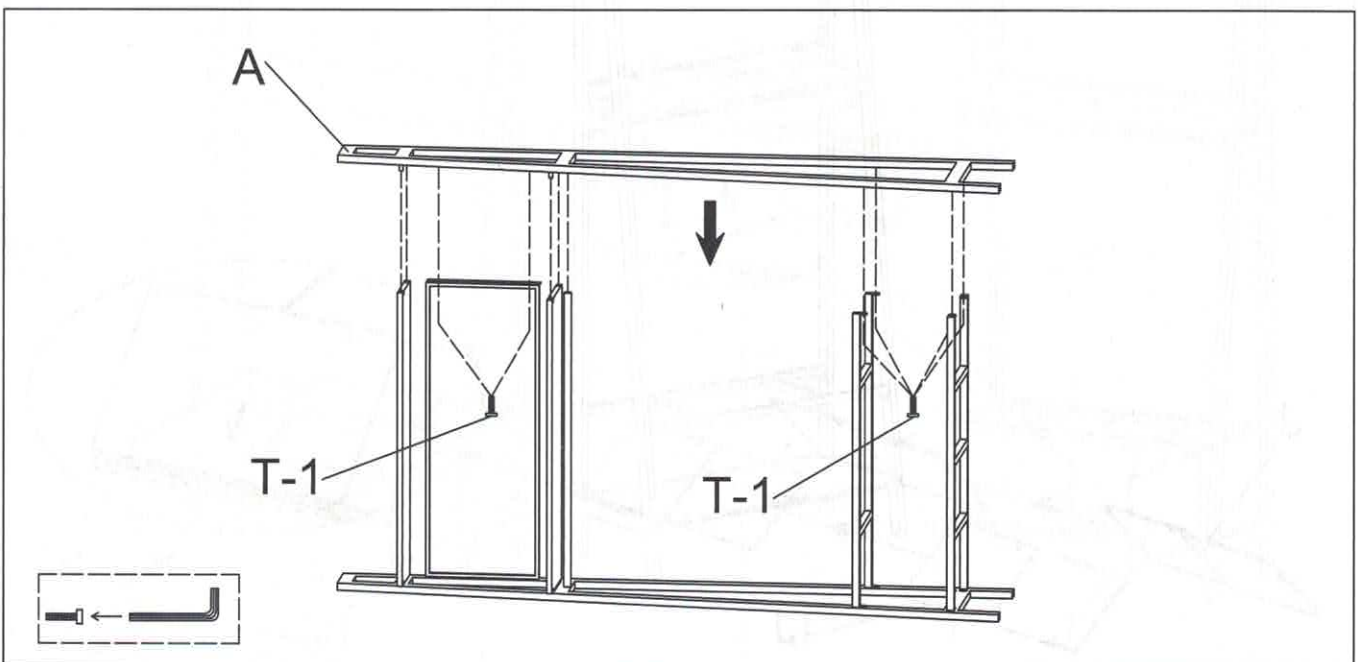
ATTENTION:

DO NOT COMPLETELY TIGHTEN ANY SCREWS UNTIL ALL PARTS ARE IN PLACE

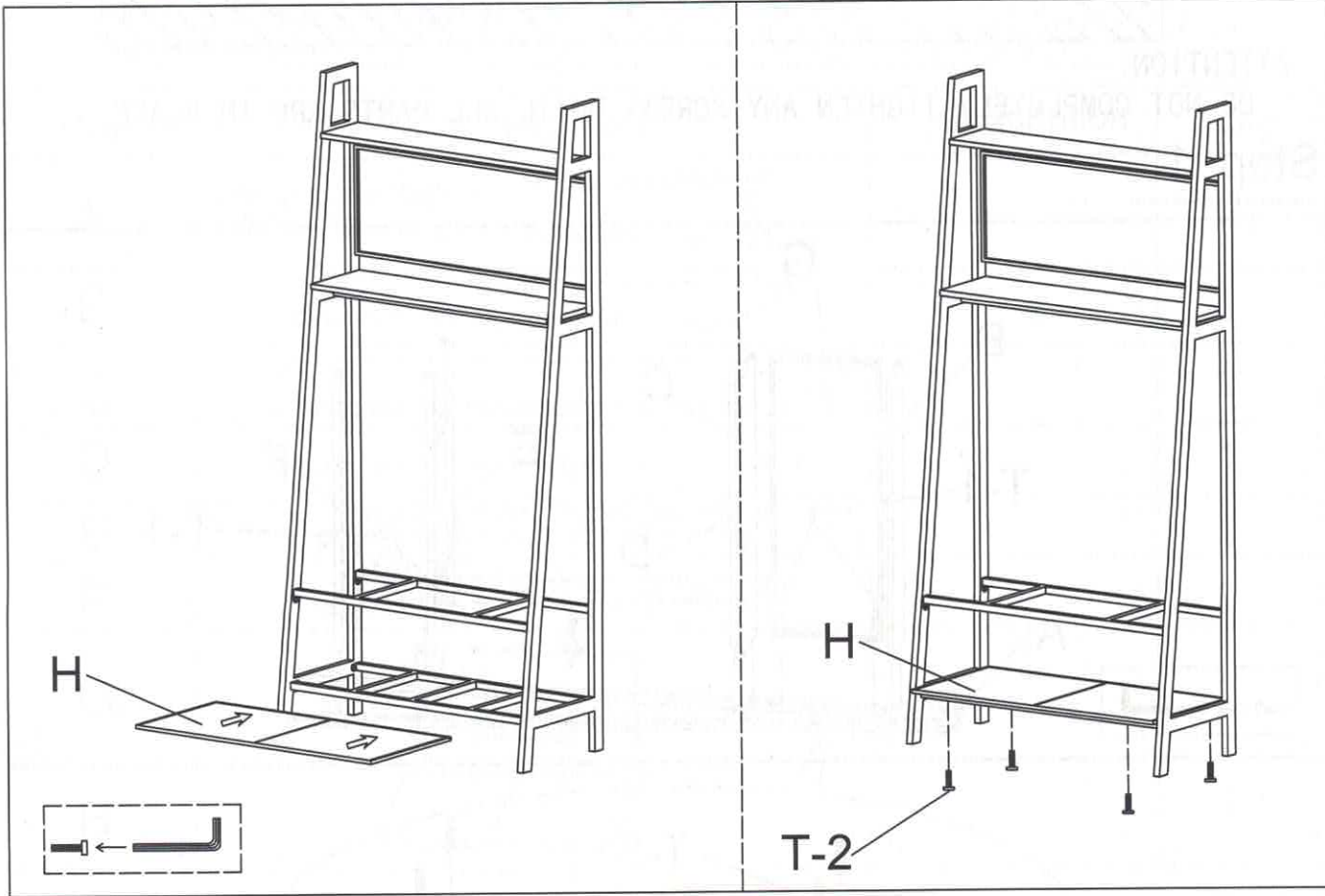
Step 1



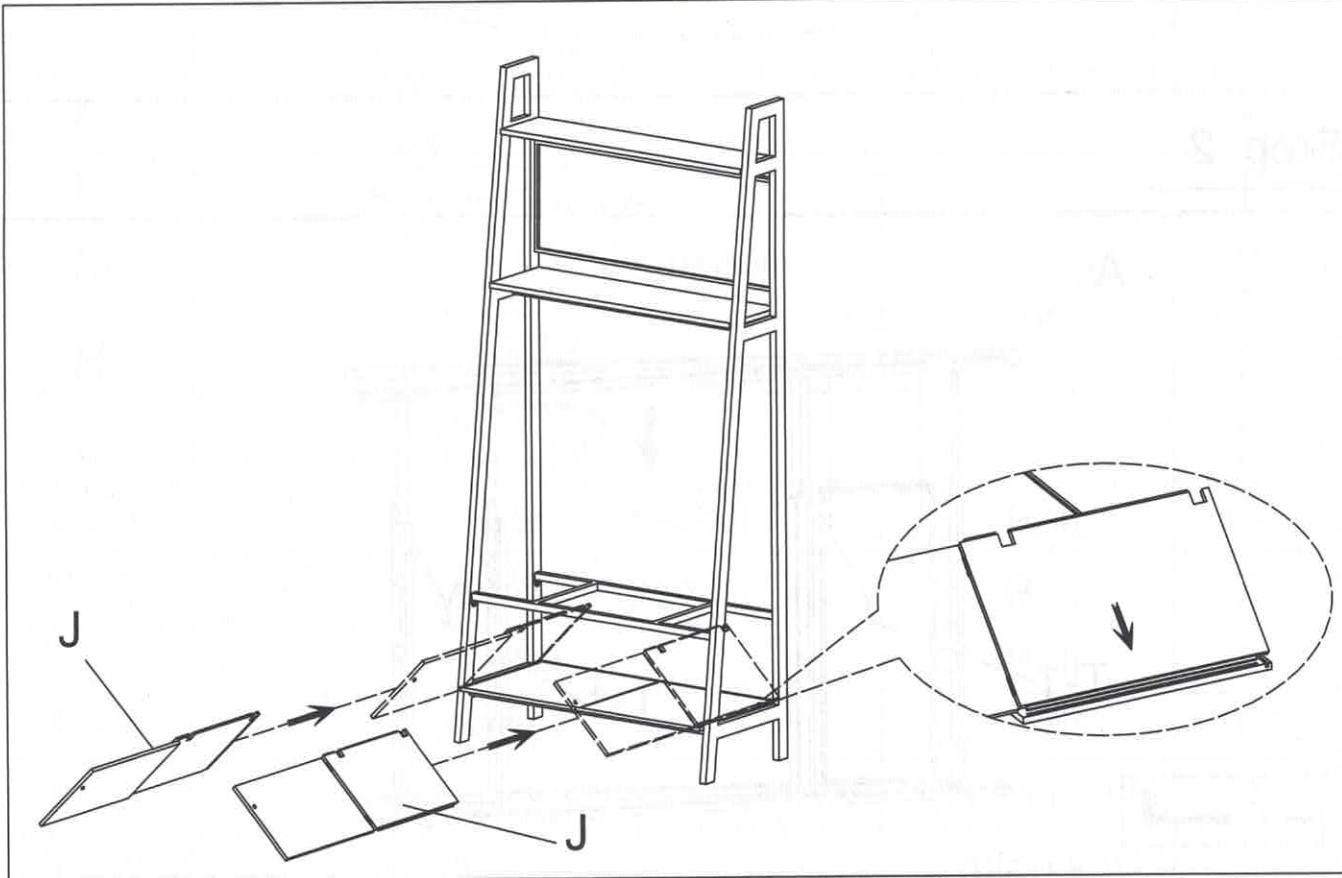
Step 2



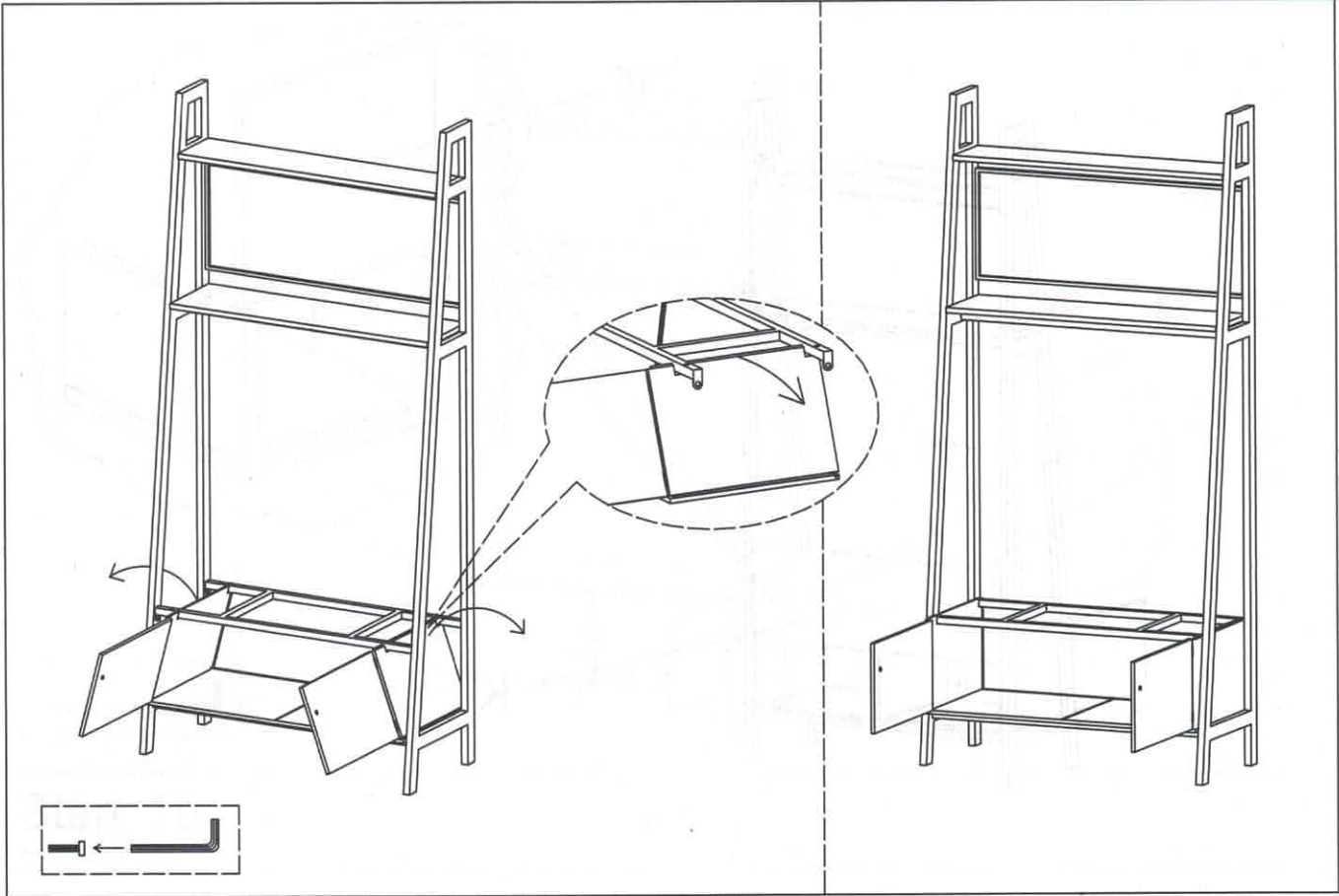
Step 3



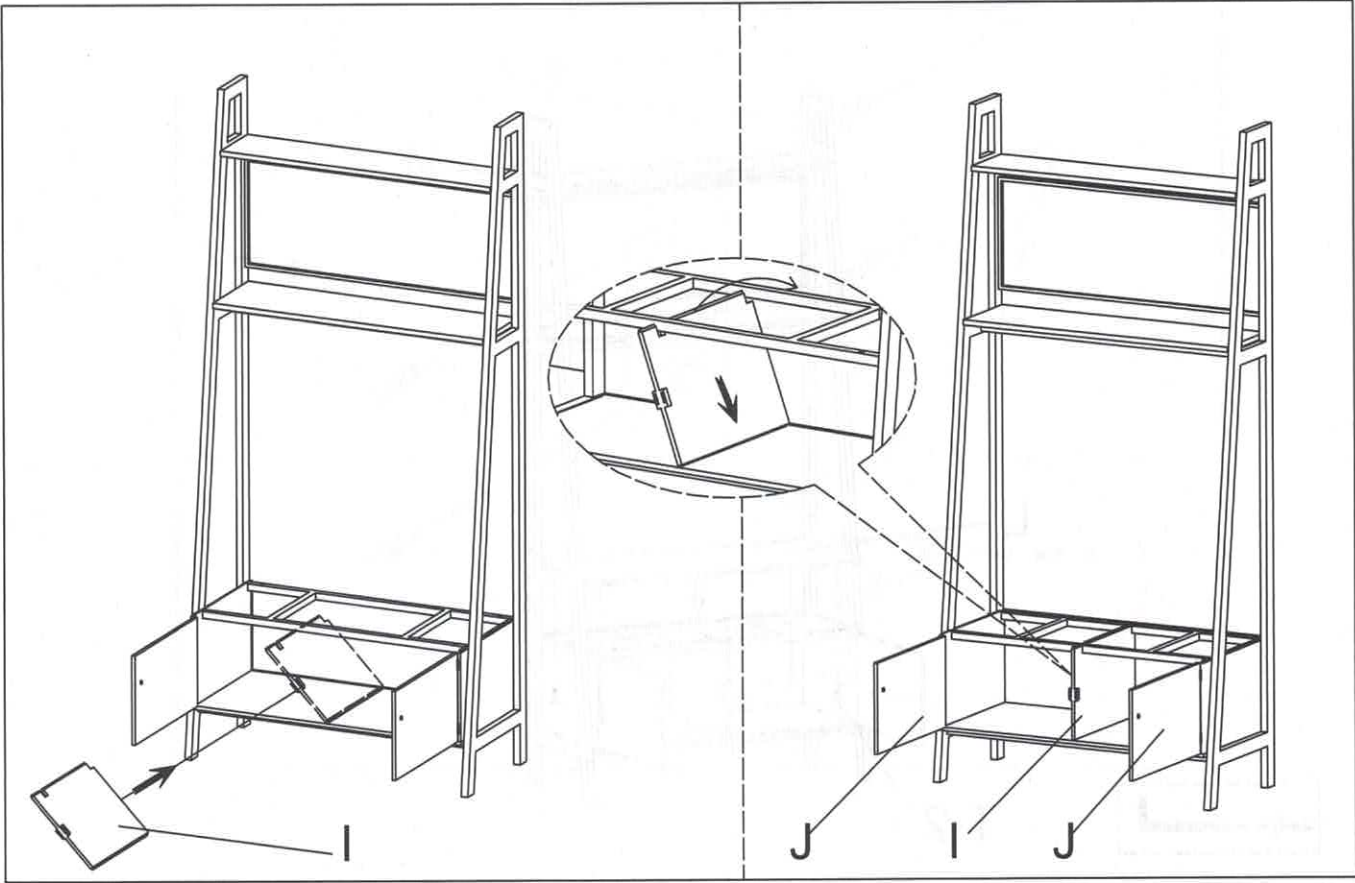
Step 4



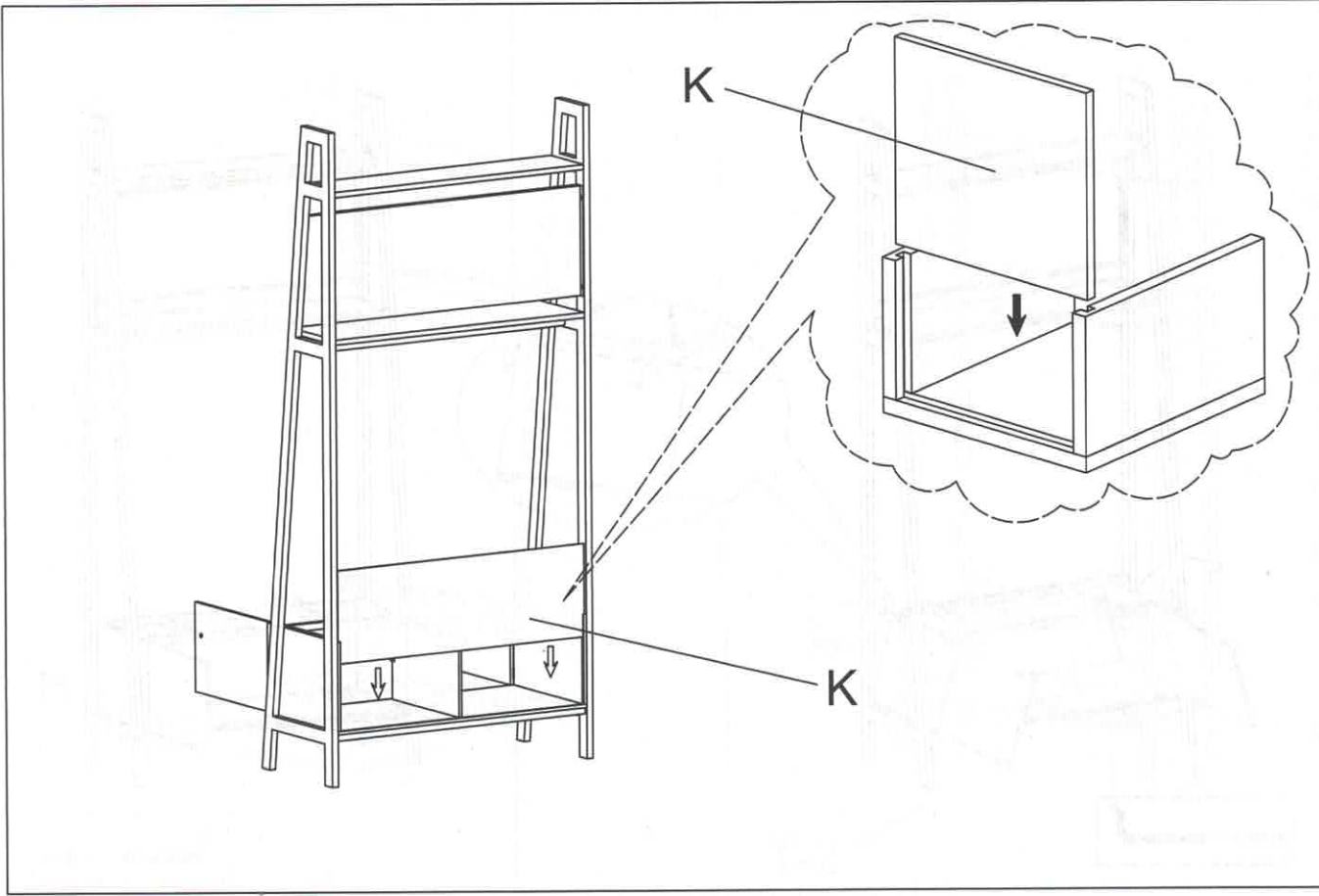
Step 5



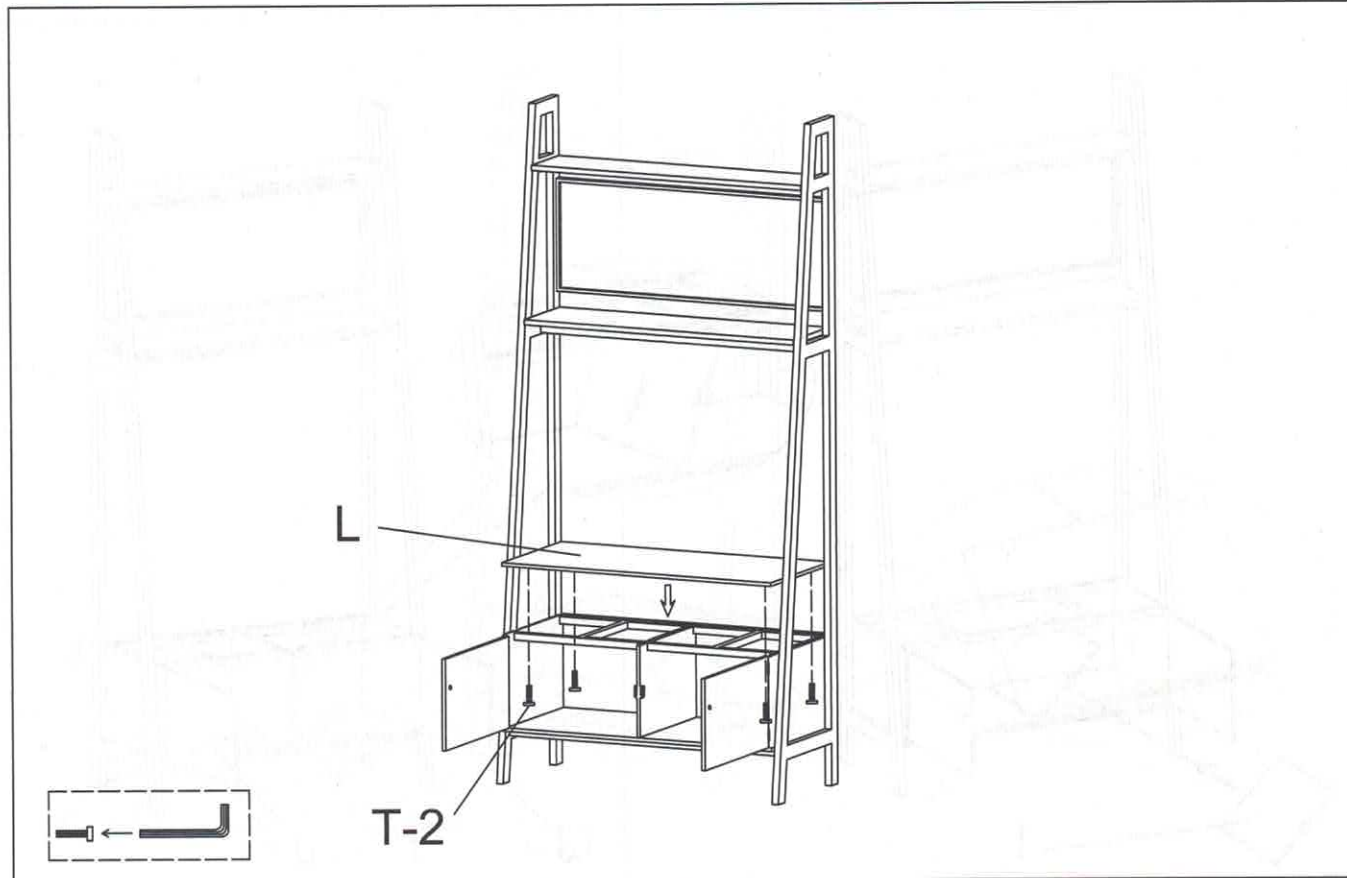
Step 6



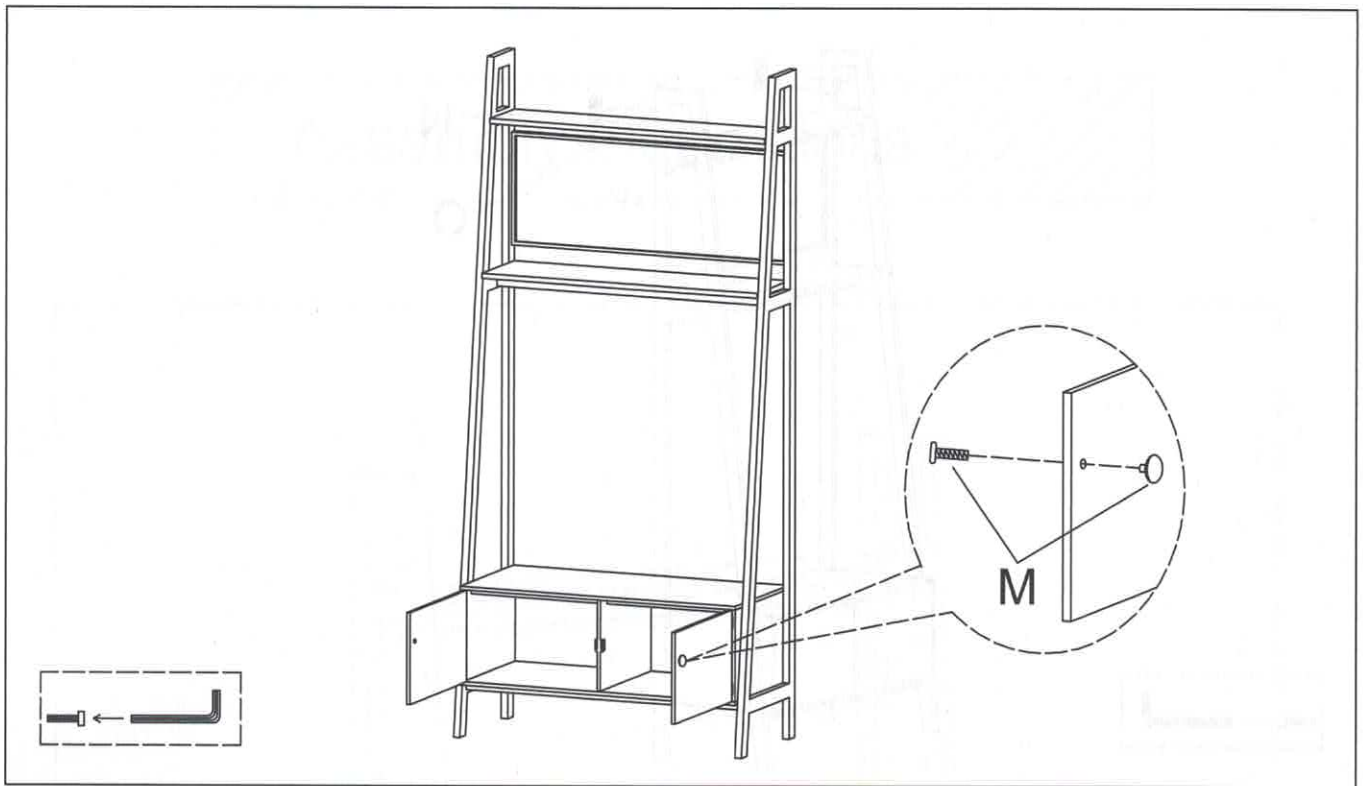
Step 7



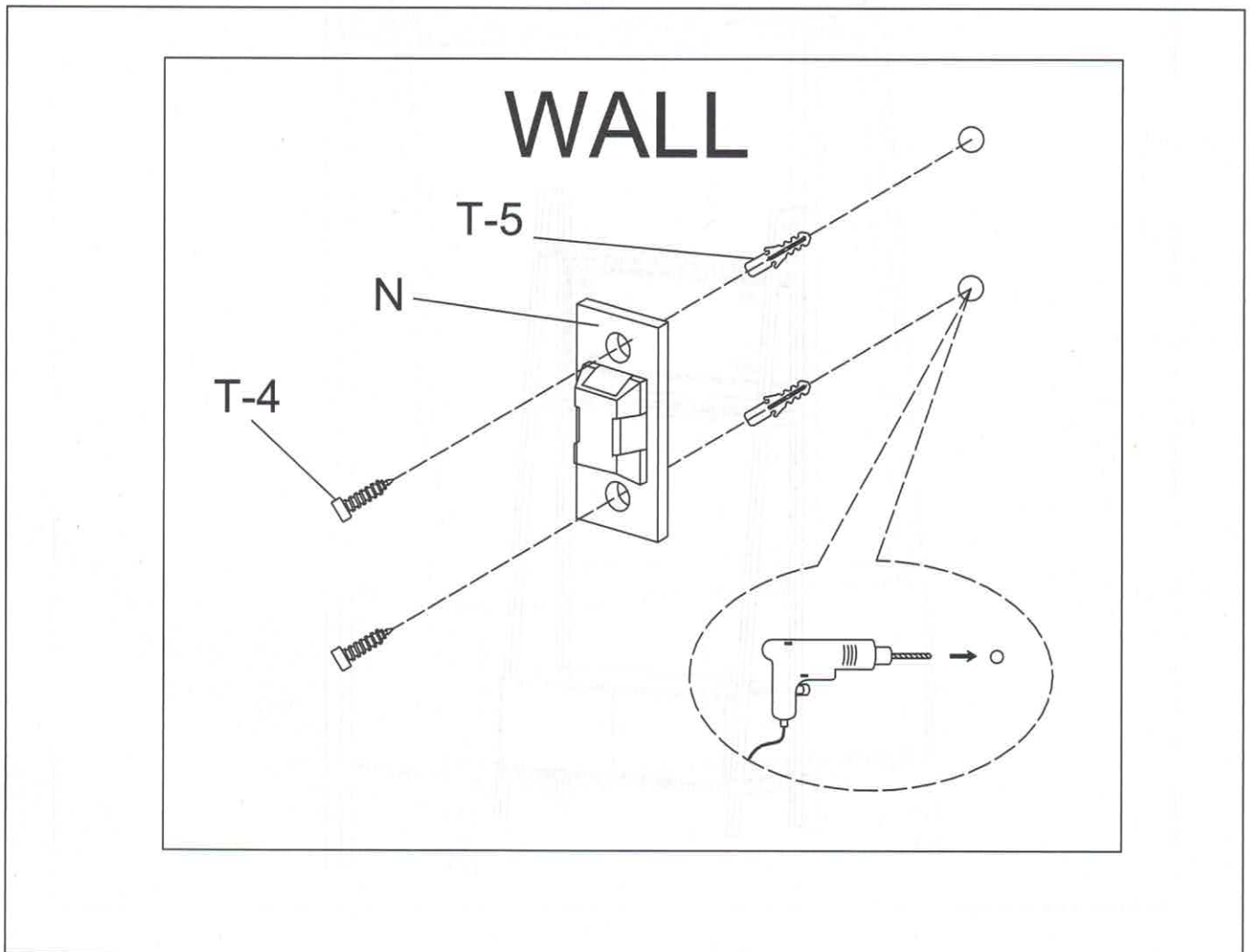
Step 8



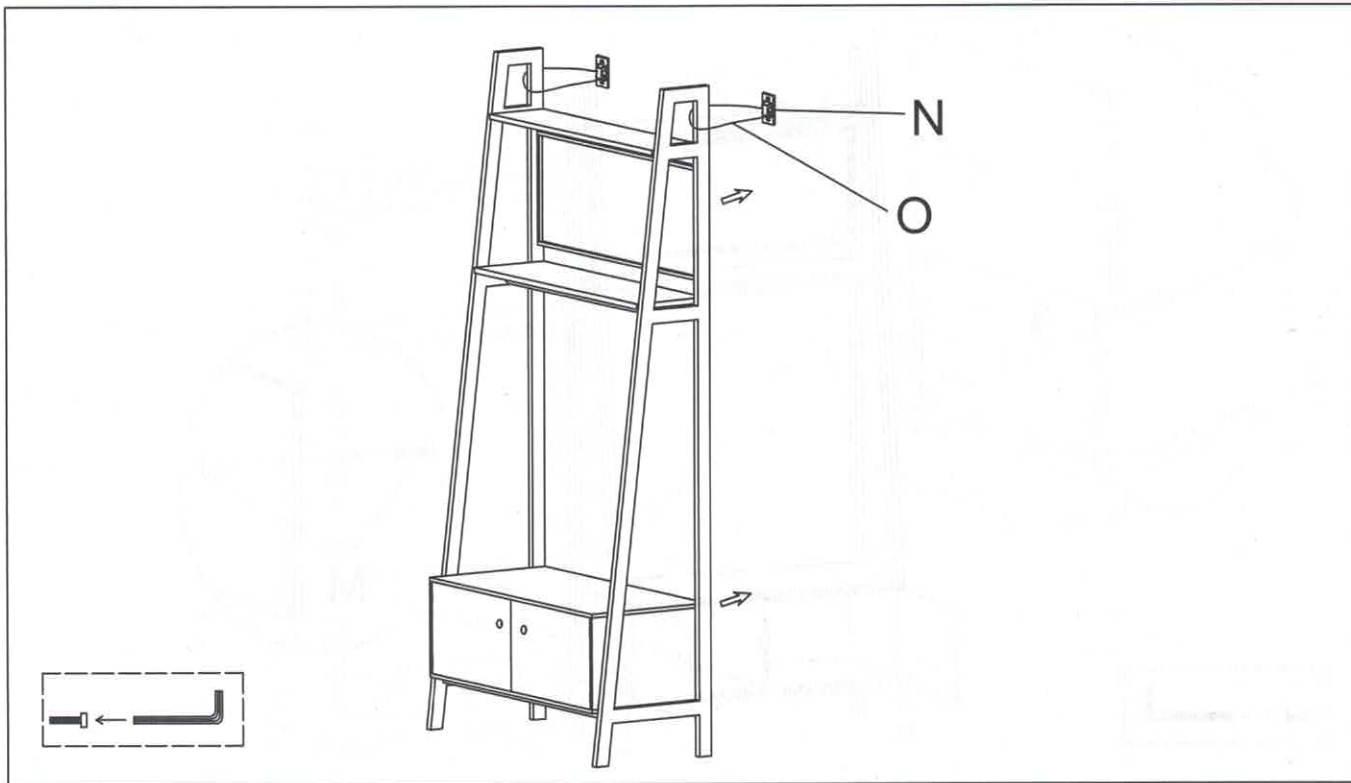
Step 9



Step 10



Step 11



Step 12

