



Boraam Industries

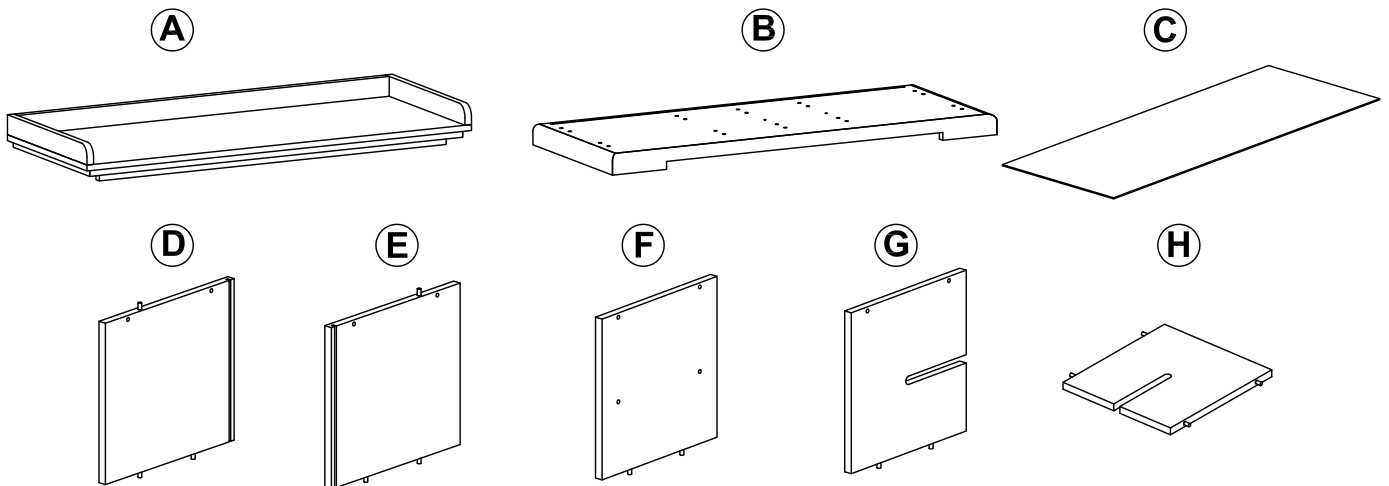
CAROLYN ENTRYWAY BENCH 19015

Assembly Instructions

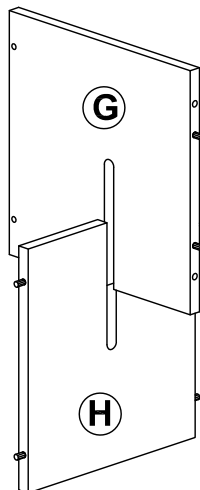
- . Tools Included
- . Do not throw away packing materials until assembly is complete
- . Assemble this item on a soft, clean surface to protect the product
- . Proper assembly requires 2 people
- . Make sure all parts are included prior to assembly

PART LIST		
NO.	DESCRIPTION	QTY.
A	Top frame	01
B	Bottom frame	01
C	Back panel	01
D	Left side panel	01
E	Right side panel	02
F	Vertical panel	01
G	Middle panel	01
H	Shelf panel	01

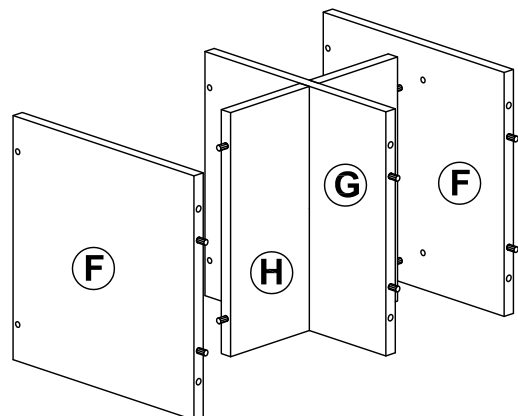
HARDWARE LIST 19015			
NO.	DESCRIPTION	SKETCH	QTY
1	JCBC Bolt $\text{\O}1/4"$ x 40mm		10
2	JCBC Bolt $\text{\O}1/4"$ x 25mm		10
3	Allen key 4mm		01



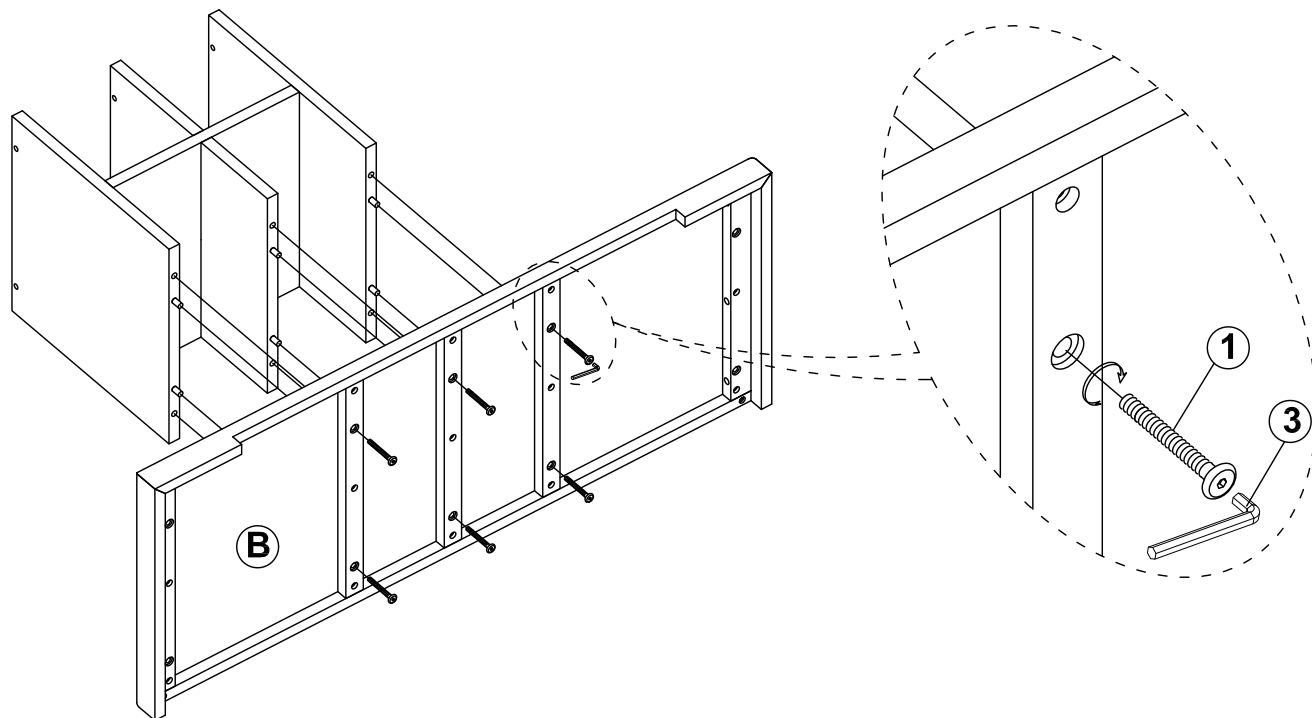
Step 1


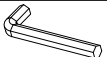


Step 2

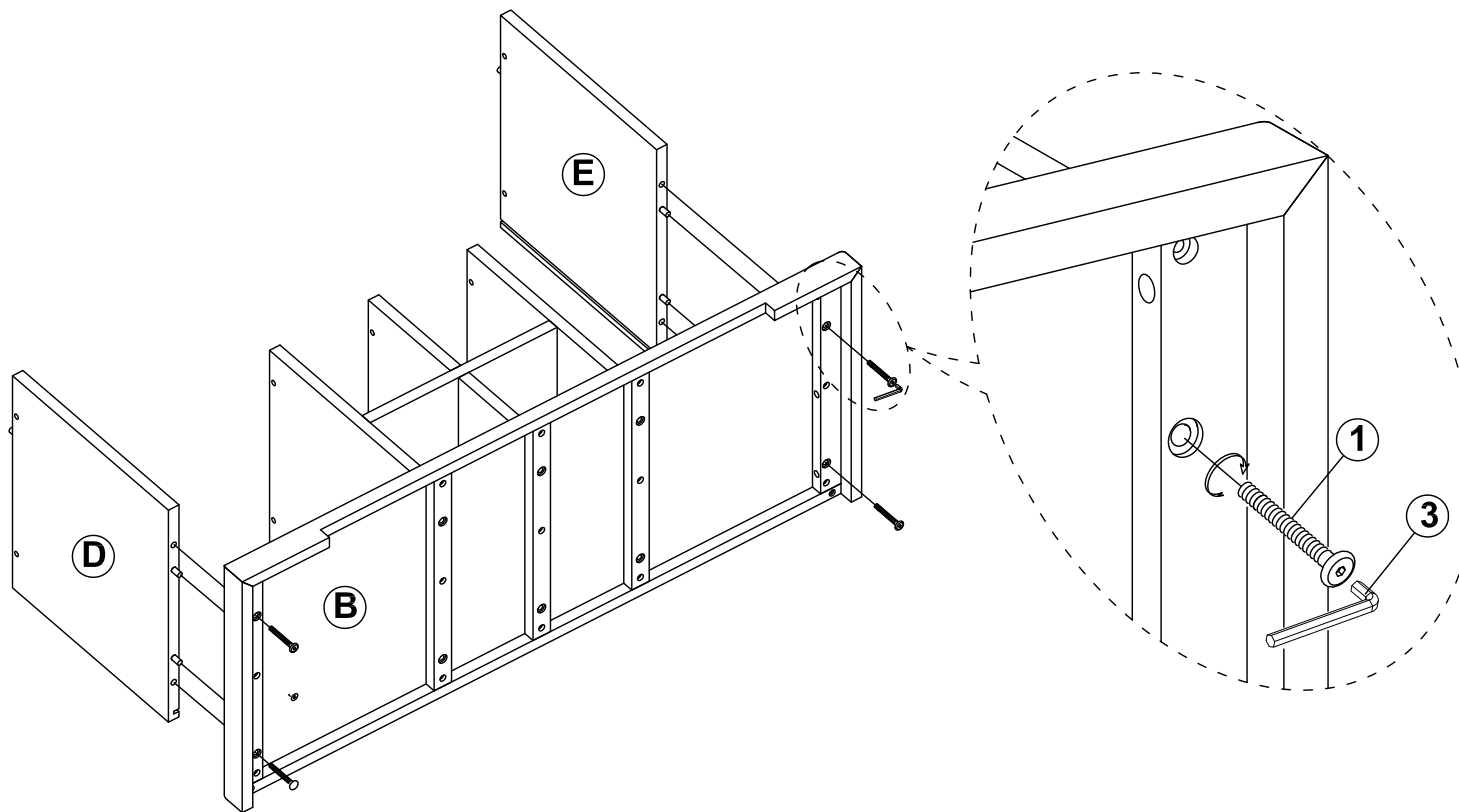



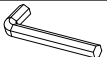
Step 3



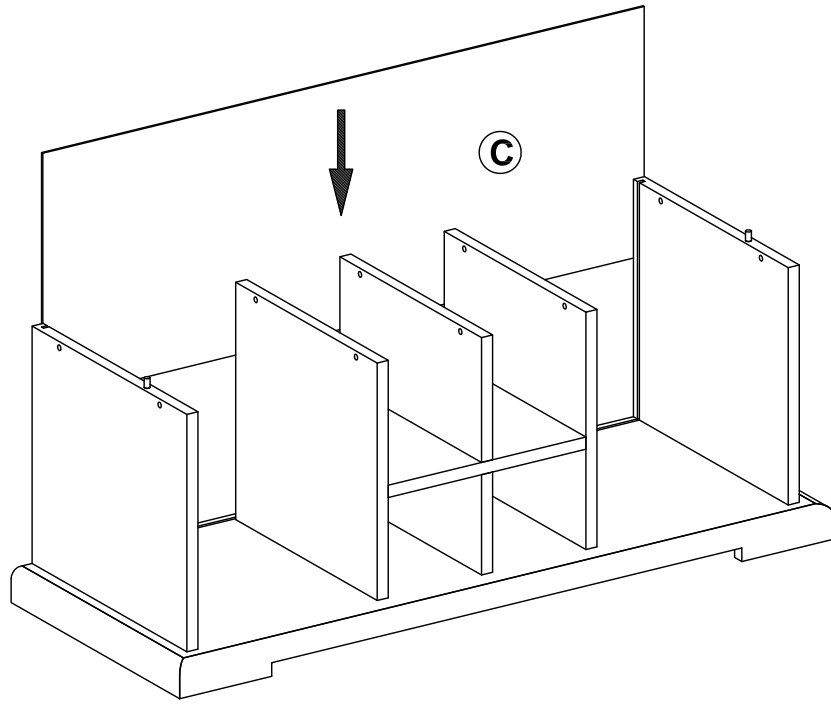
1		06
3		01

Step 4

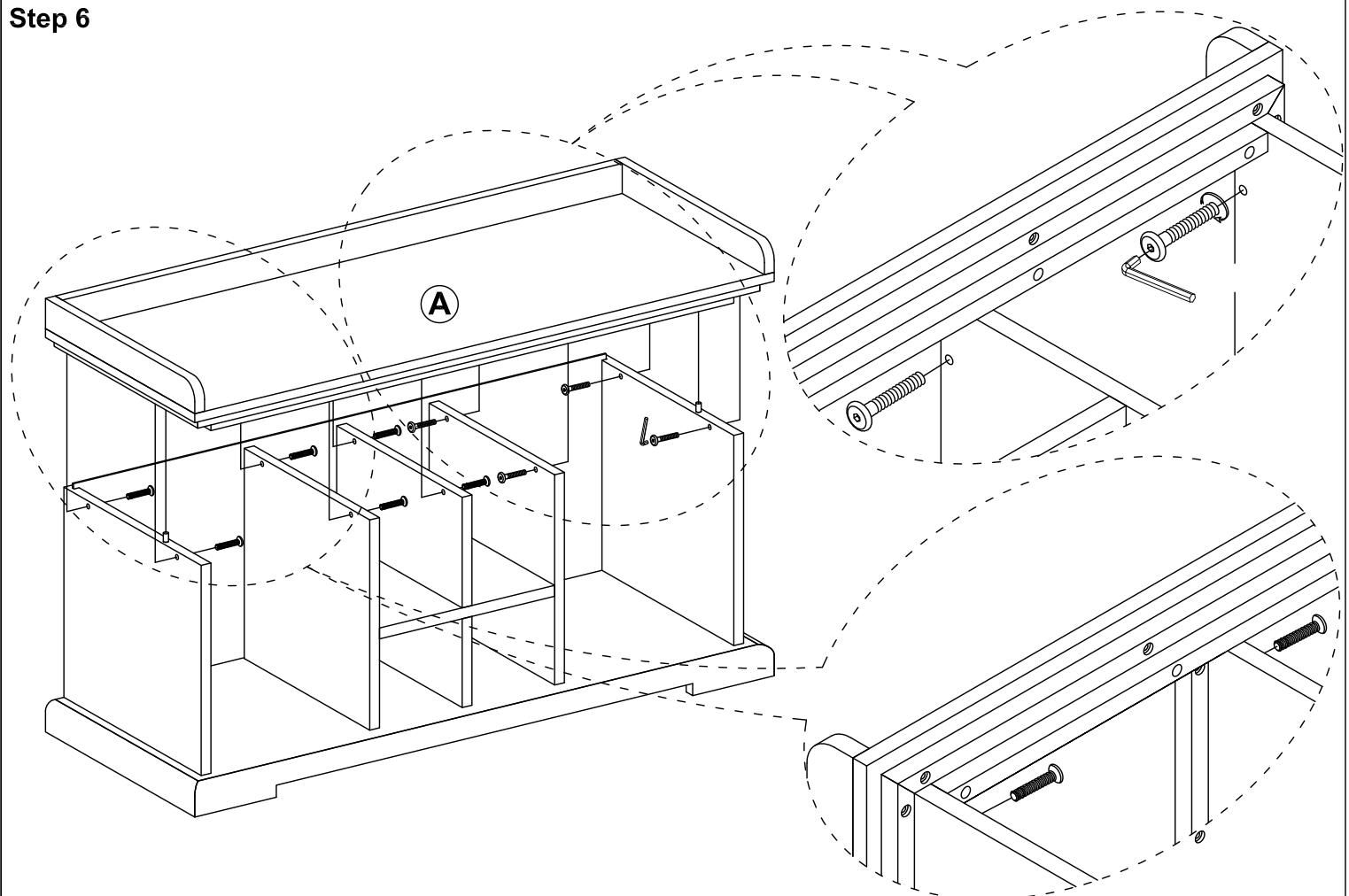



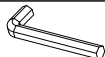
1		04
3		01

Step 5



Step 6



2		10
3		01

COMPLETED ASSEMBLY

