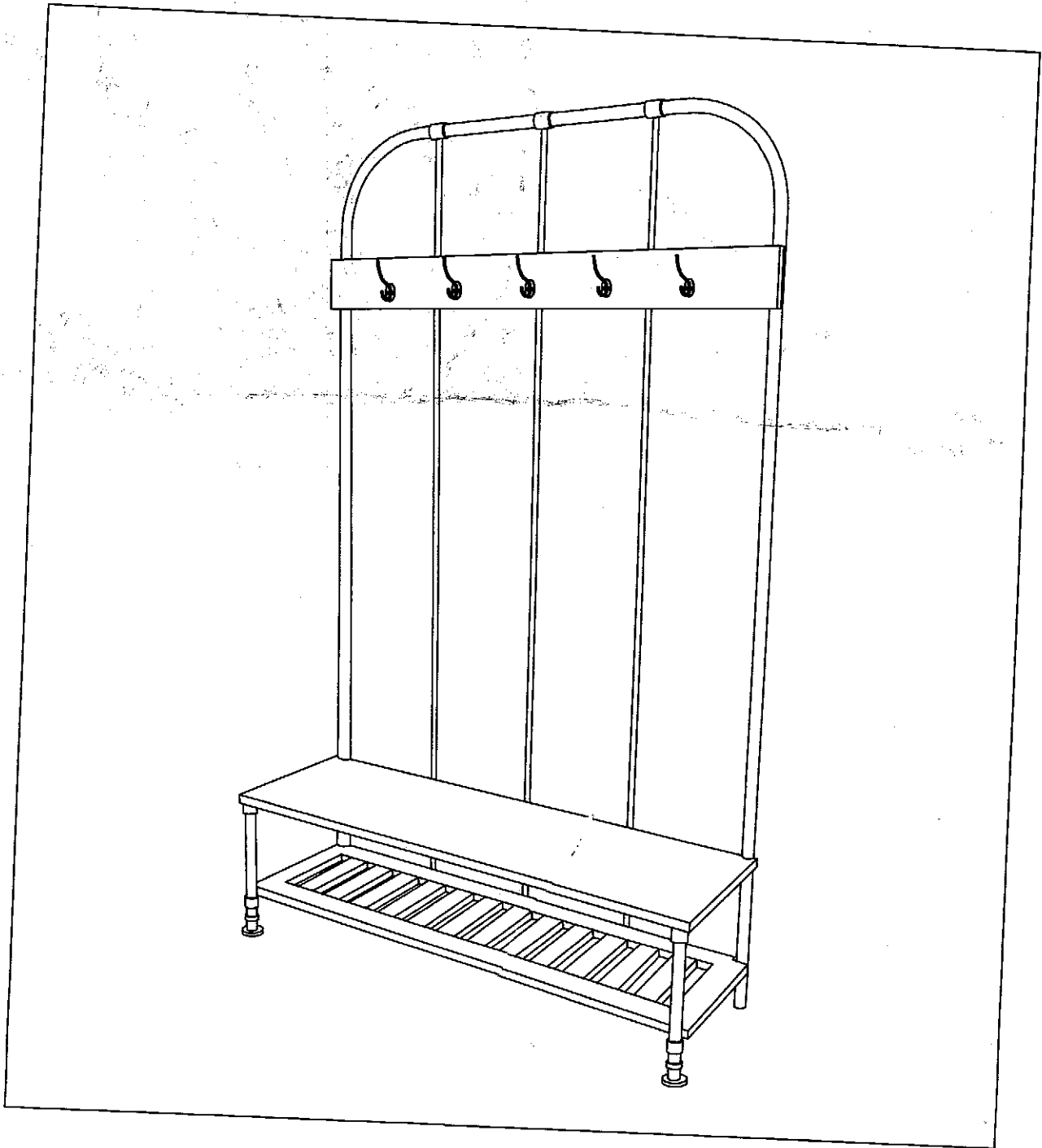
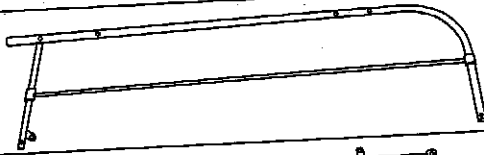

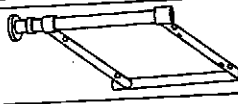
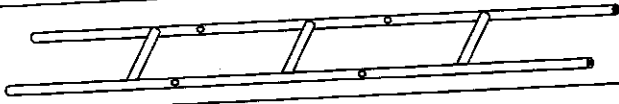
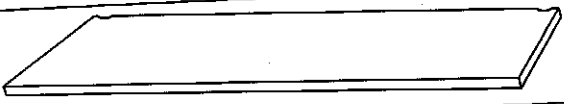
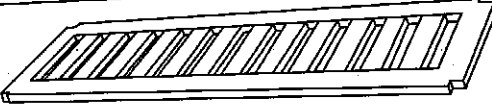
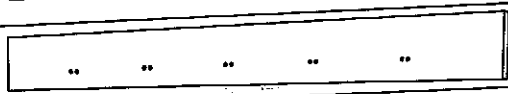







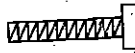






Assembly Instructions



Parts List

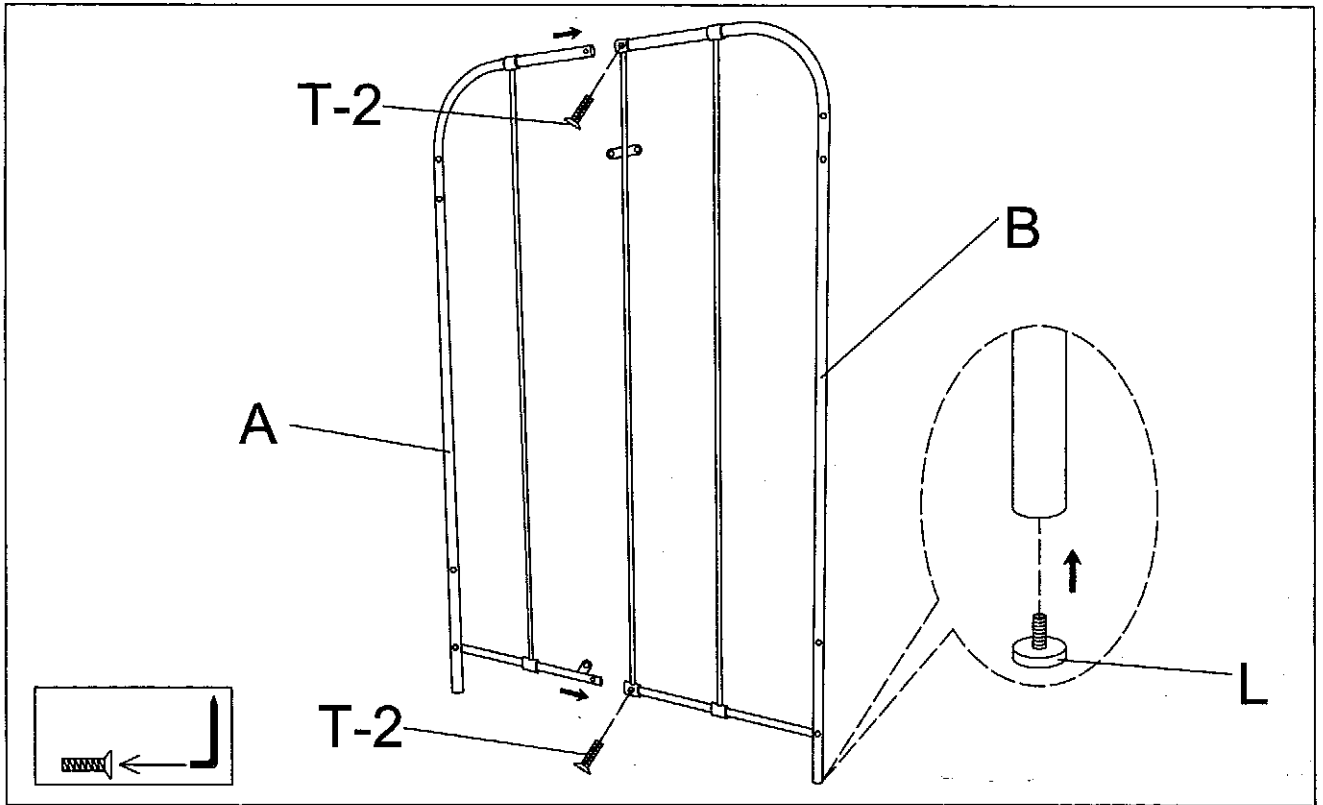
Label	Picture	Qty
A		1
B		1
C		2
D		1
E		1
F		1
G		1
H		5
I		2
J		2
L		2
T-1	 (M6x15 mm)	3
T-2	 (M6x15 mm)	2
T-3	 (M6x30 mm)	12
T-4	 (M6x35 mm)	8
T-5		10
T-6		4
T-7		4
T-8		1

Assembly Steps

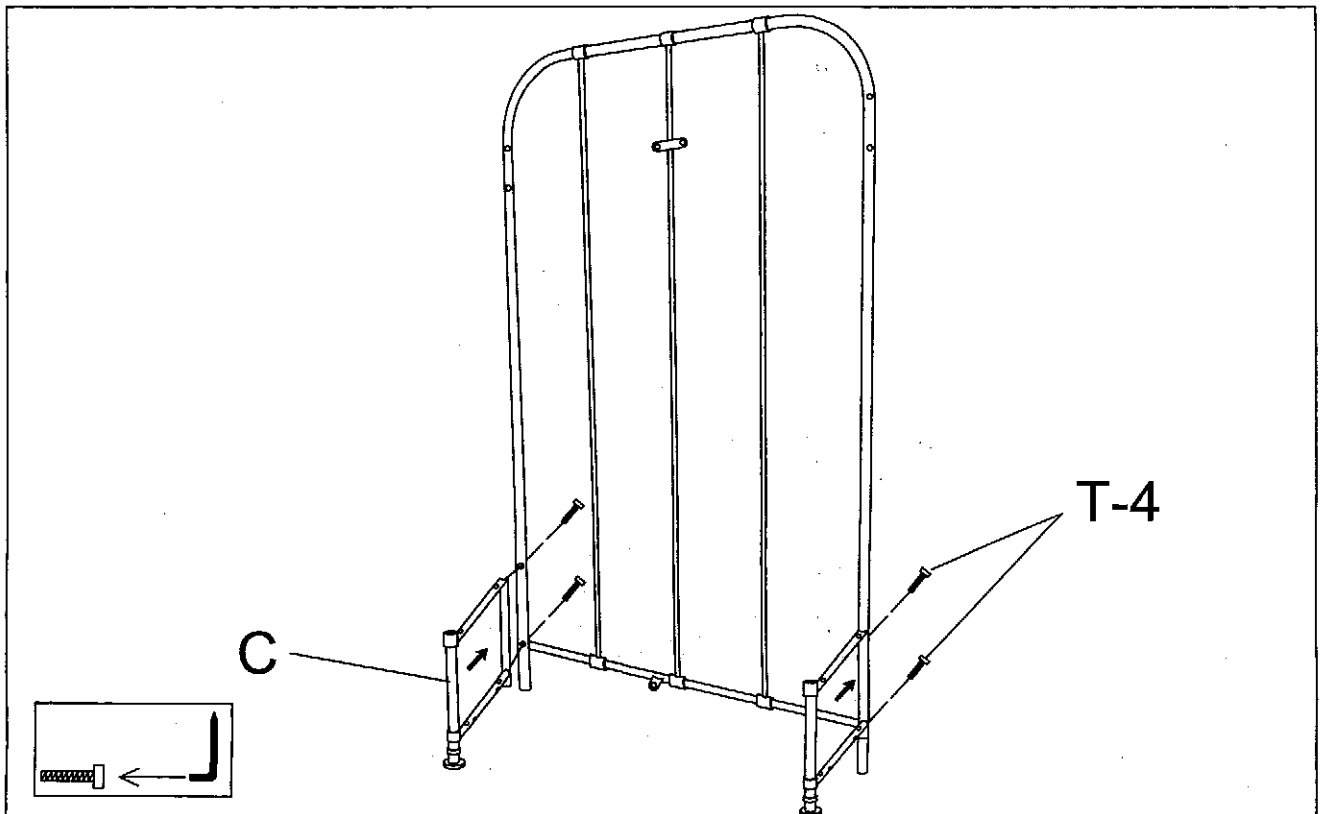
ATTENTION:

DO NOT COMPLETELY TIGHTEN ANY SCREWS UNTIL ALL PARTS ARE IN PLACE

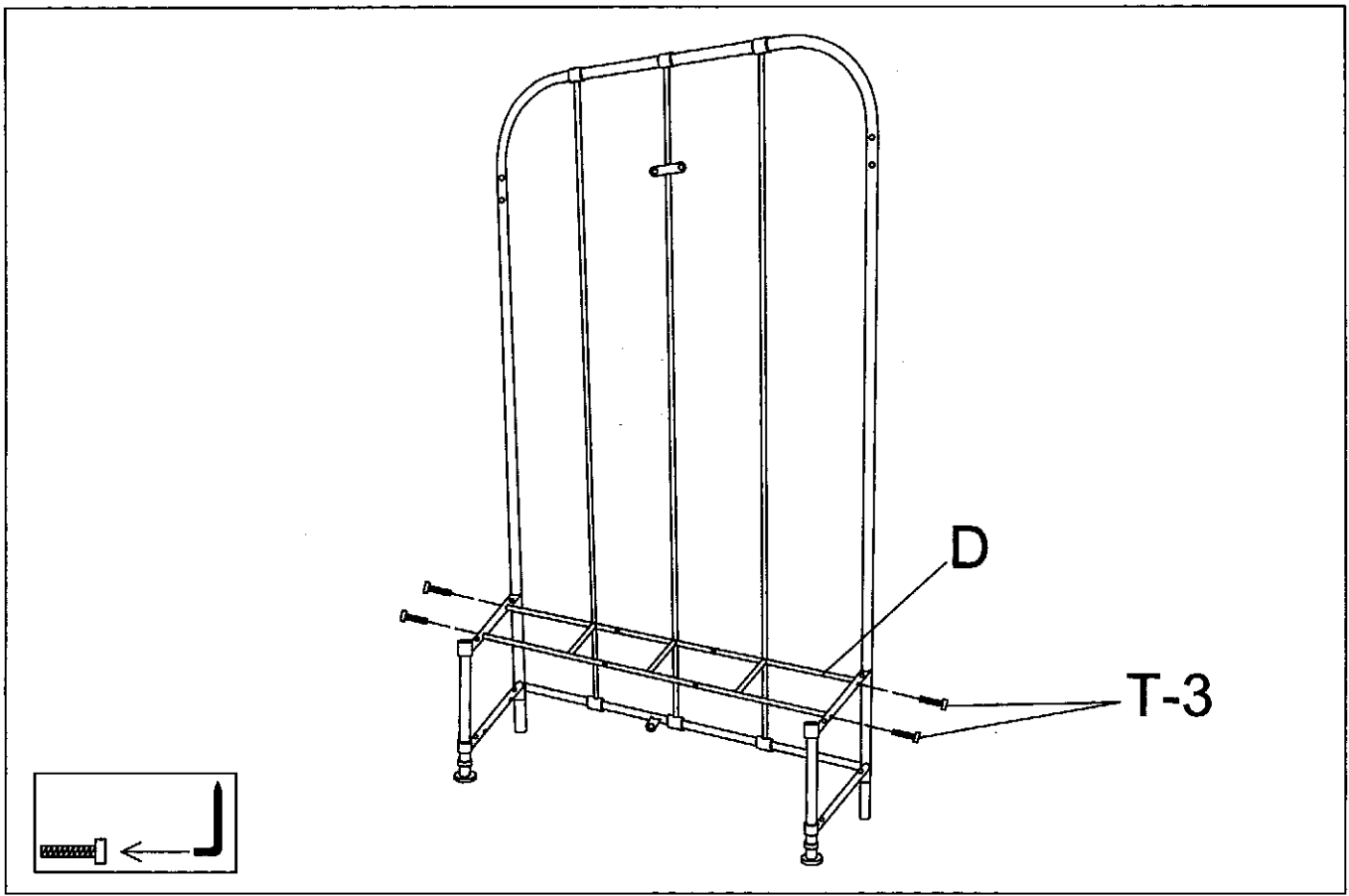
Step 1



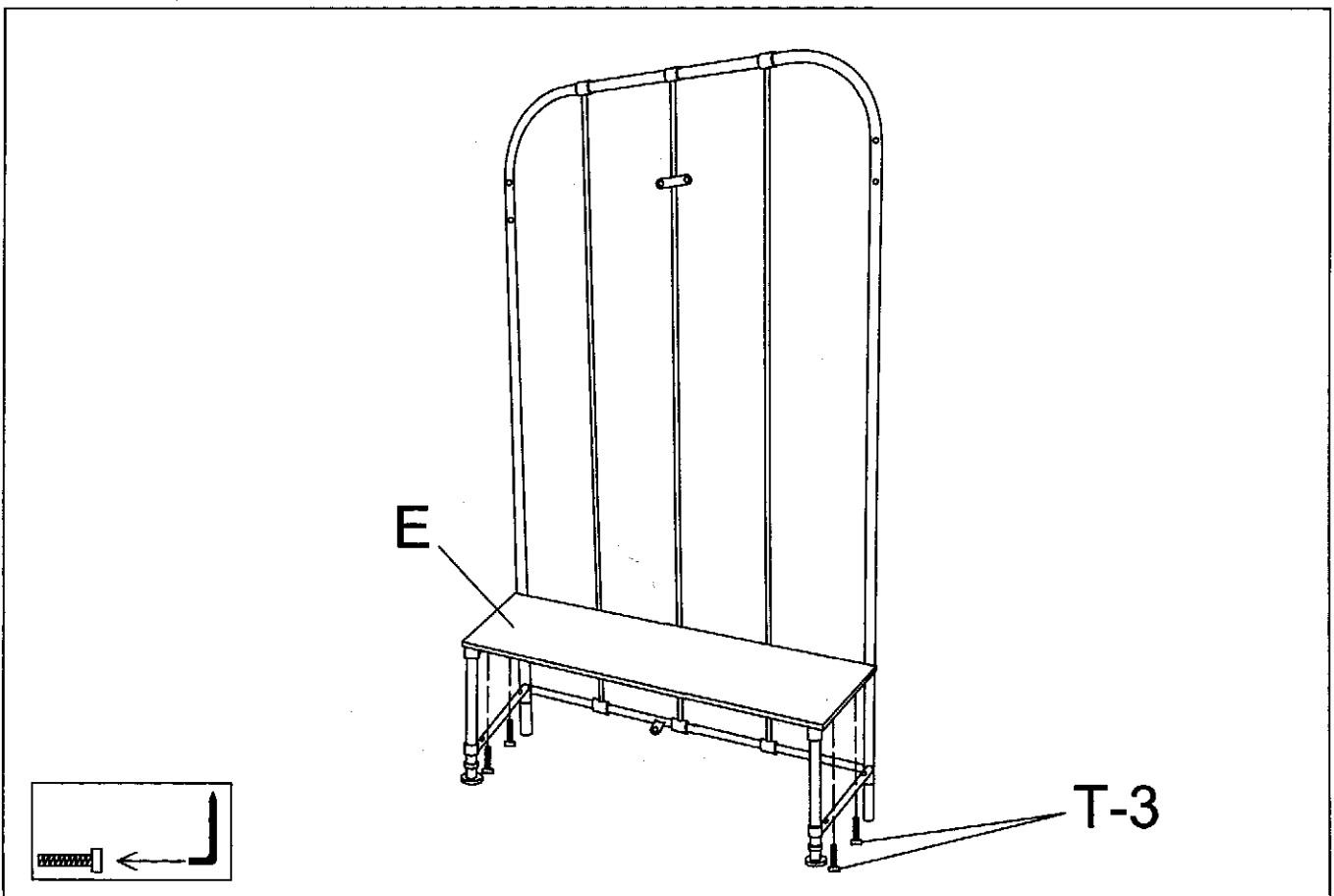
Step 2



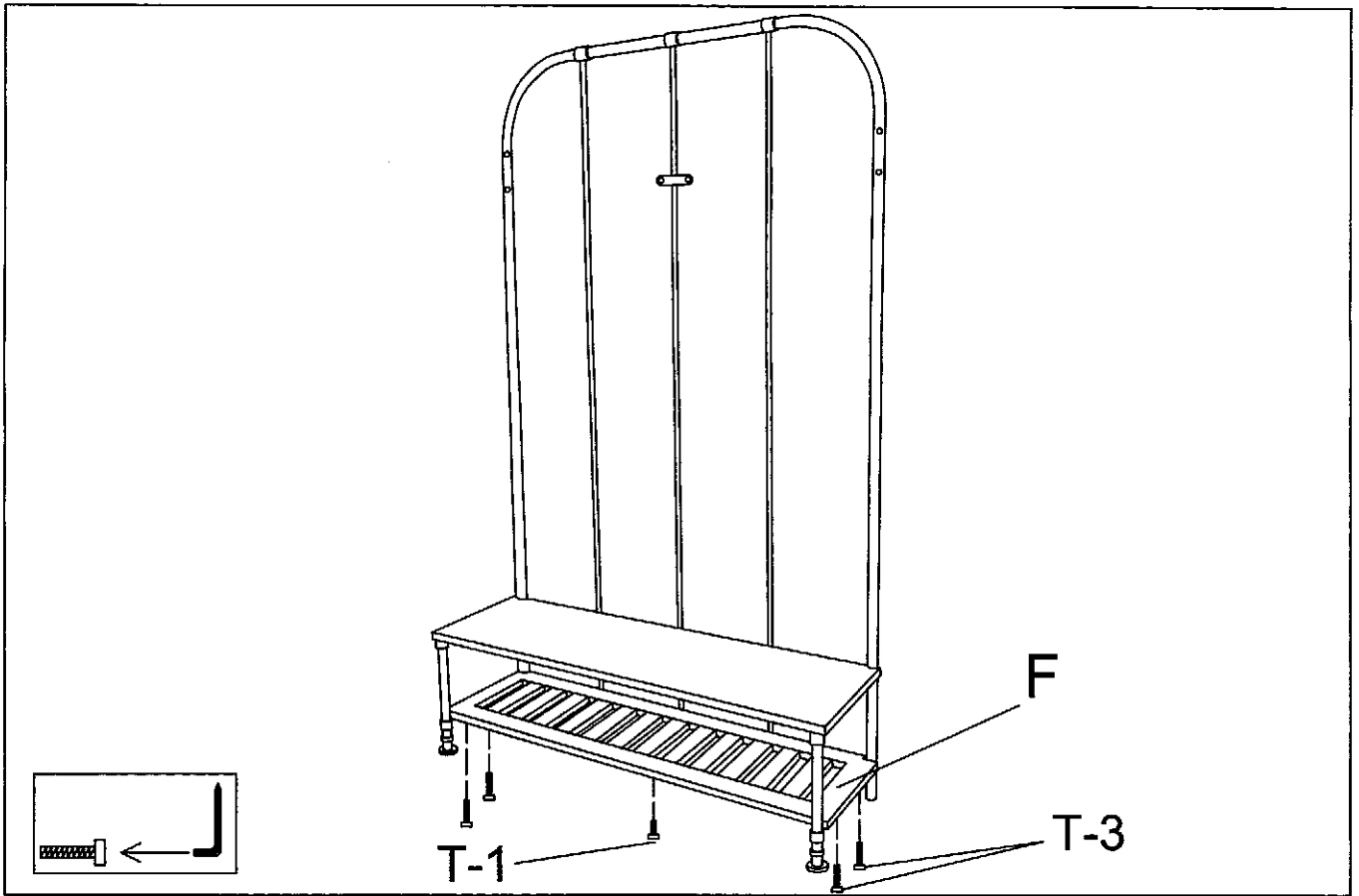
Step 3



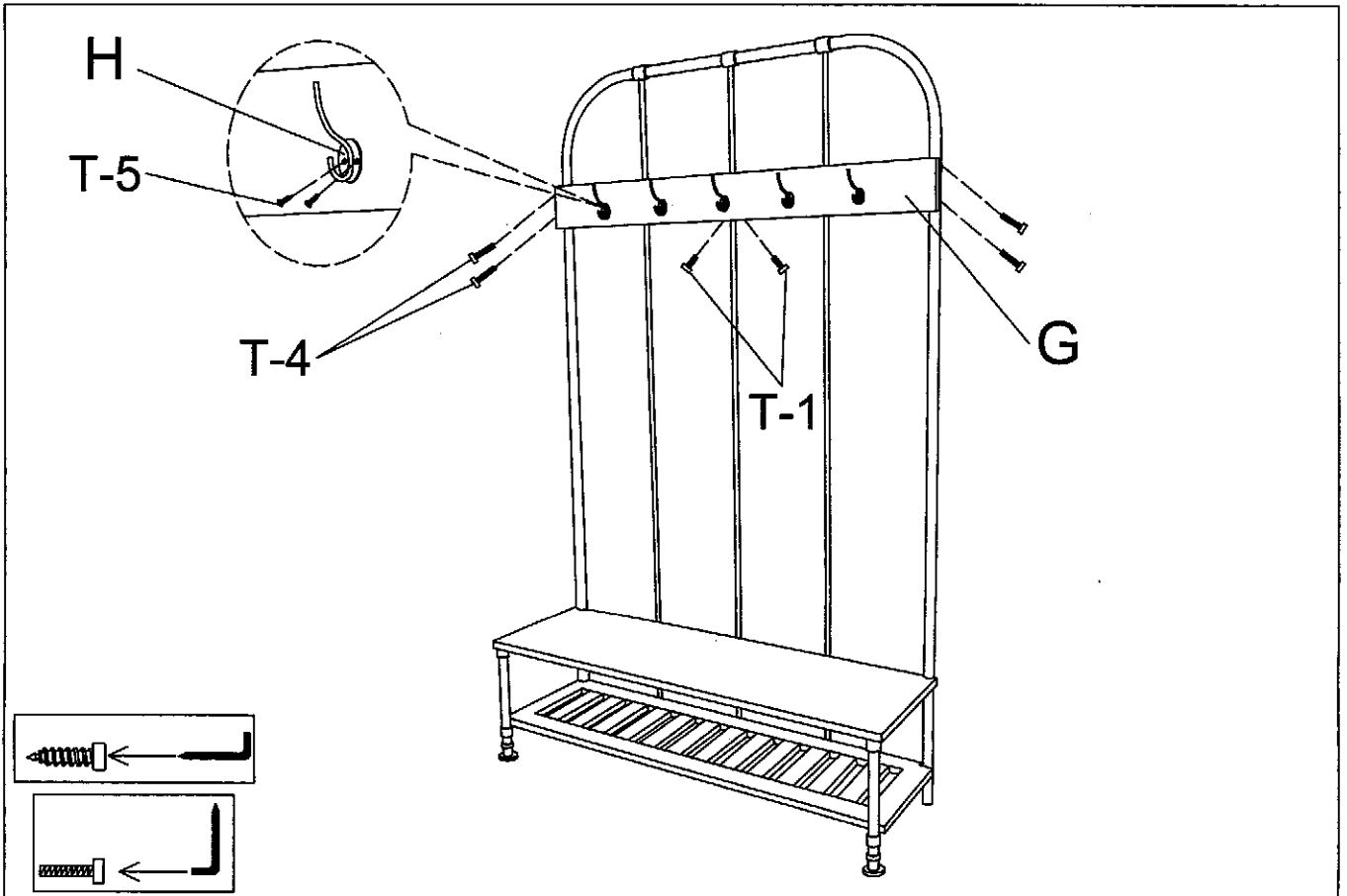
Step 4



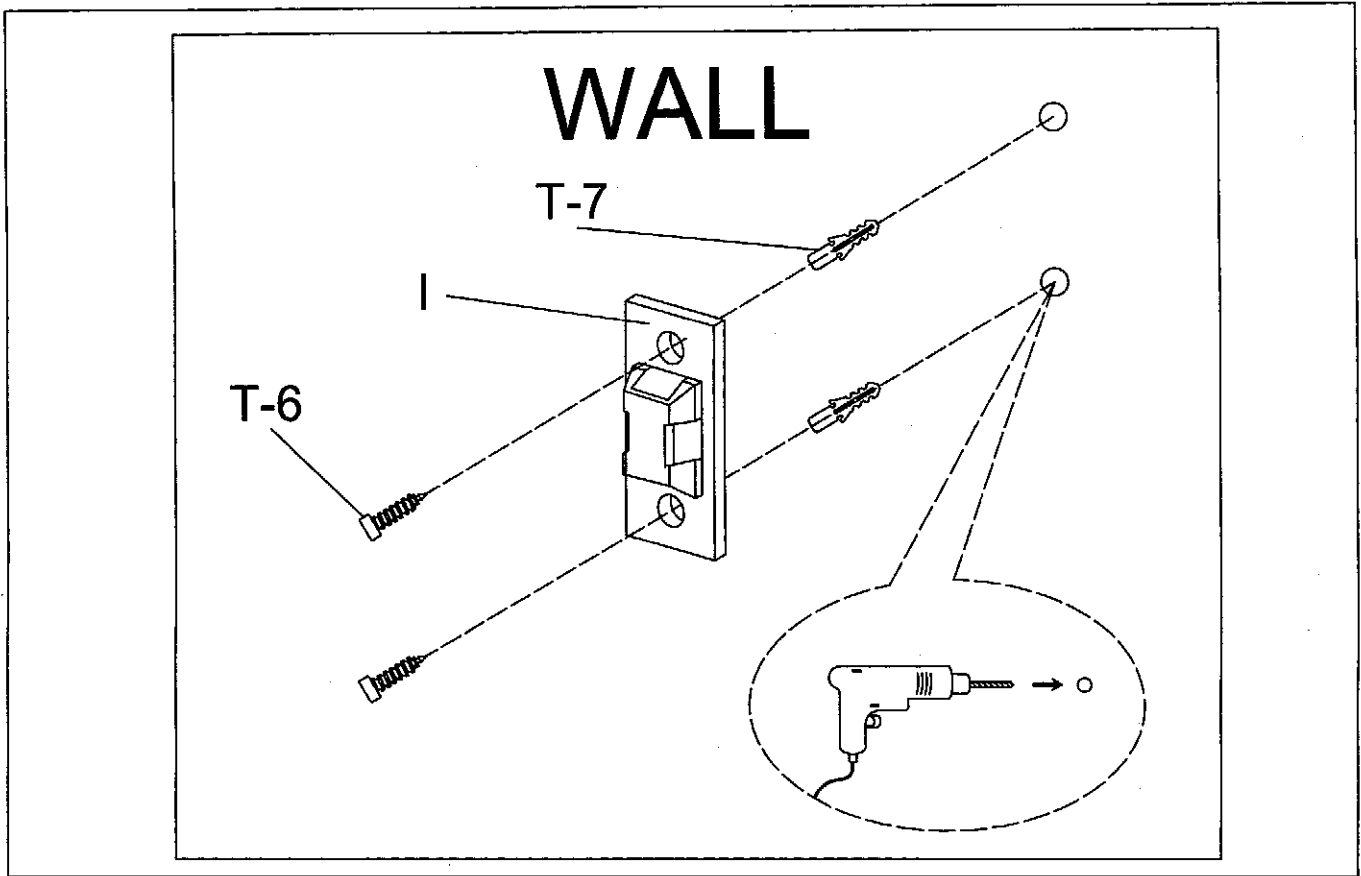
Step 5



Step 6



Step 7



Step 8

