






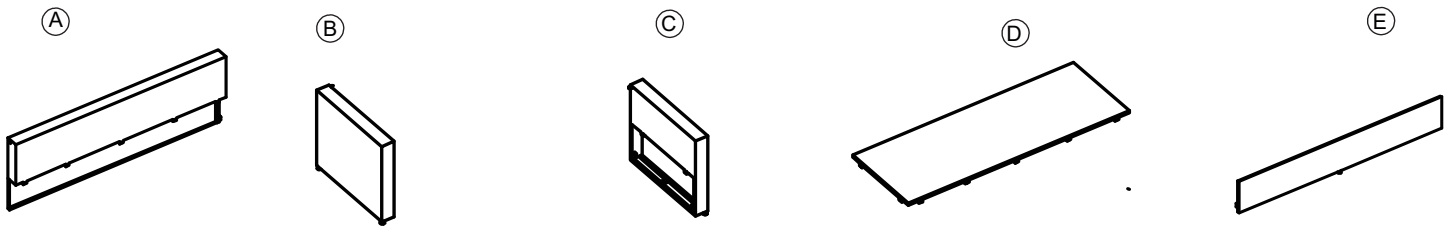
Boraam Industries

CEBU SOFA SECTIONAL
Assembly Instructions

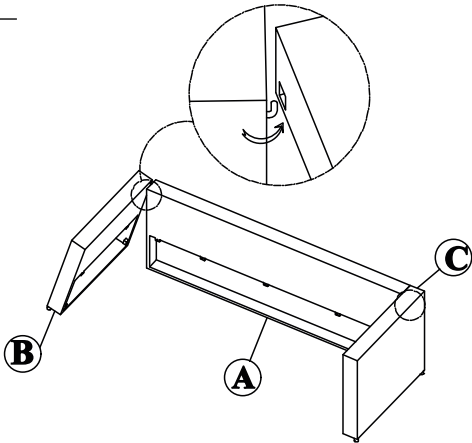
- **Tools Included**
- **Do not throw away packing materials until assembly is complete**
- **Assemble this item on a soft, clean surface to protect the product**
- **Proper assembly requires 2 People**
- **Make sure all parts are included prior to assembly**

PART LIST		
NO.	DESCRIPTION	QTY
A	Back	1
B	Left Arm	1
C	Right Arm	1
D	Backrest	1
E	Seat	1

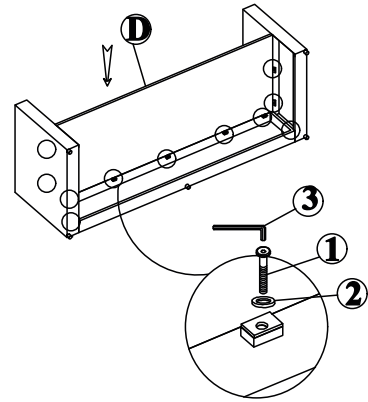
HARDWARE LIST			
NO	DESCRIPTION	SKETCH	QTY
1	Bolt M6x25mm		18
2	Flat Washer 1/4" x 16mm		18
3	Allen Wrench M4		1



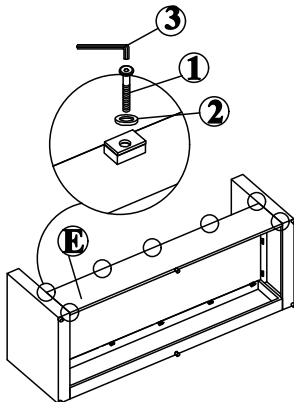
Step 1



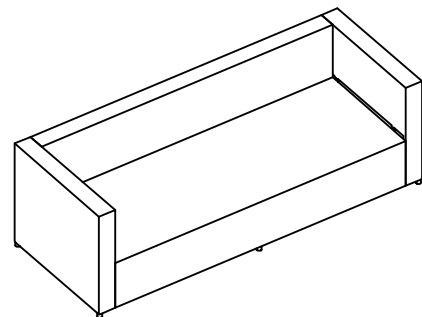
Step 2



Step 3



Step 4








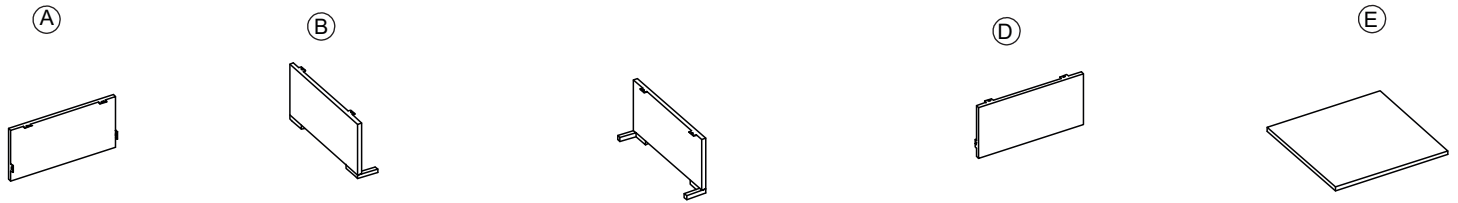
Boraam Industries

CEBU SOFA SECTIONAL Assembly Instructions

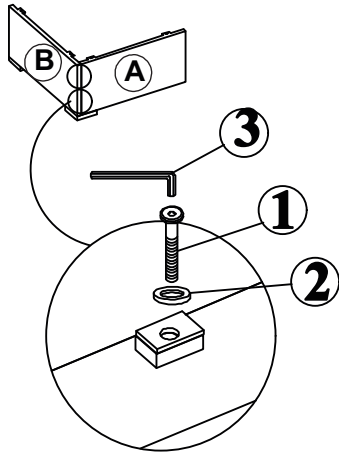
- **Tools Included**
- **Do not throw away packing materials until assembly is complete**
- **Assemble this item on a soft, clean surface to protect the product**
- **Proper assembly requires 2 People**
- **Make sure all parts are included prior to assembly**

PART LIST		
NO.	DESCRIPTION	QTY
A	Back	1
B	Left Arm	1
C	Right Arm	1
D	Backrest	1
E	Seat	1

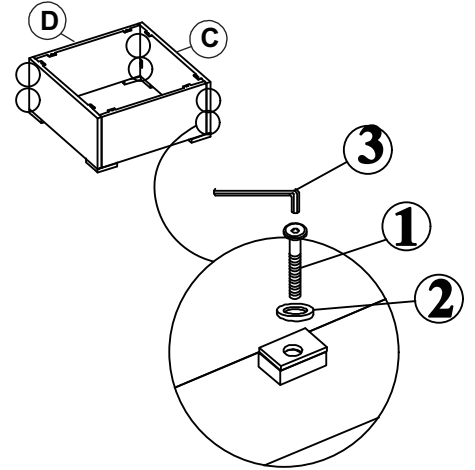
HARDWARE LIST			
NO	DESCRIPTION	SKETCH	QTY
1	Bolt M6x25mm		16
2	Flat Washer 1/4" x 16mm		16
3	Allen Wrench M4		1



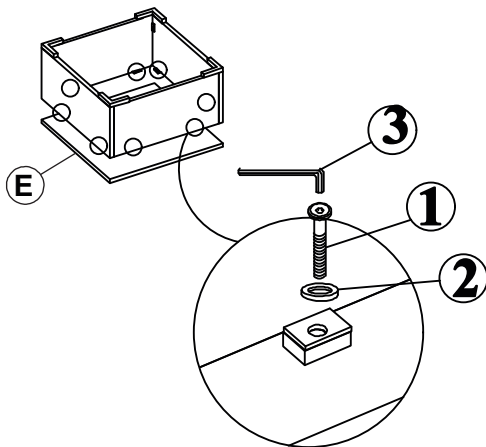
Step 1



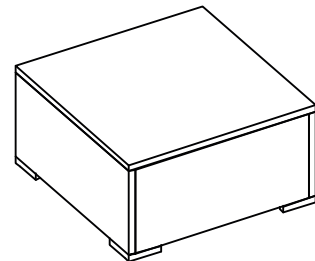
Step 2



Step 3



Step 4








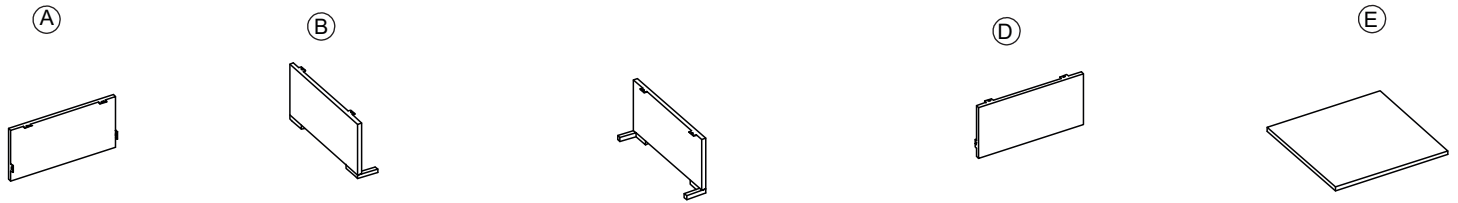
Boraam Industries

CEBU SOFA SECTIONAL Assembly Instructions

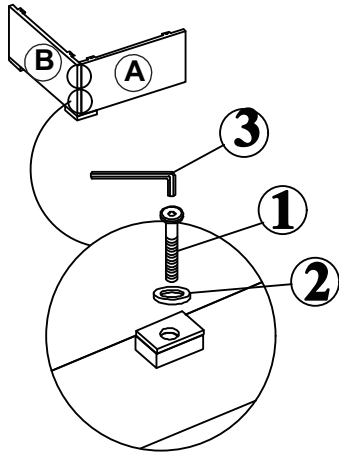
- **Tools Included**
- **Do not throw away packing materials until assembly is complete**
- **Assemble this item on a soft, clean surface to protect the product**
- **Proper assembly requires 2 People**
- **Make sure all parts are included prior to assembly**

PART LIST		
NO.	DESCRIPTION	QTY
A	Back	1
B	Left Arm	1
C	Right Arm	1
D	Backrest	1
E	Seat	1

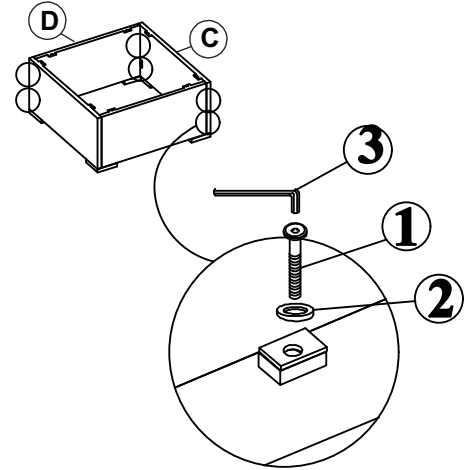
HARDWARE LIST			
NO	DESCRIPTION	SKETCH	QTY
1	Bolt M6x25mm		16
2	Flat Washer 1/4" x 16mm		16
3	Allen Wrench M4		1



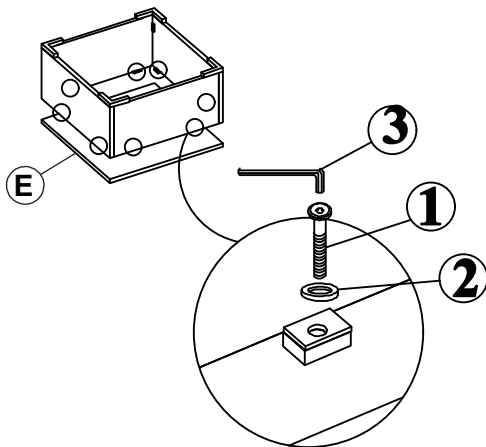
Step 1



Step 2



Step 3



Step 4

