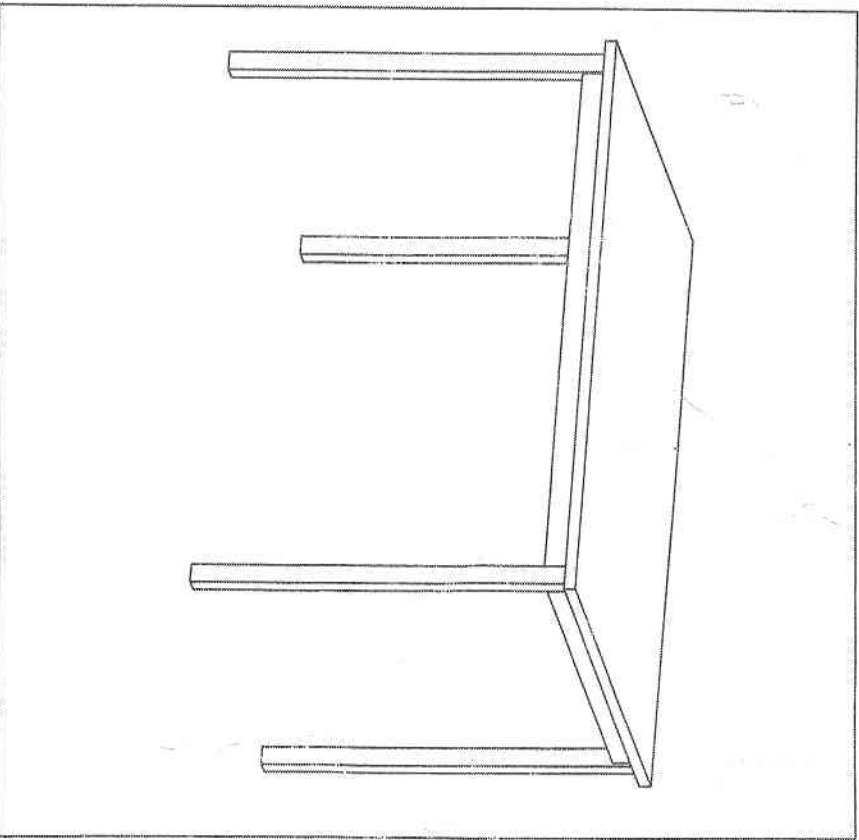


Assembly Instructions



Parts List

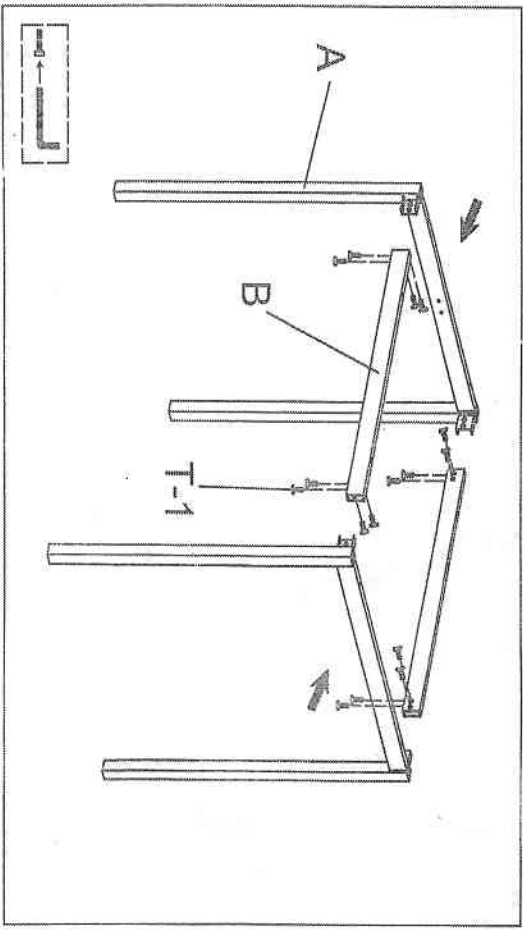
| Label | Picture | Qty |
|-------|---------|-----|
| A | | 2 |
| B | | 2 |
| C | | 1 |
| D | | 1 |
| T-1 | (M6X15) | 20 |
| T-2 | (M5X70) | 8 |
| T-3 | (M5X70) | 4 |
| T-4 | | 1 |

77004

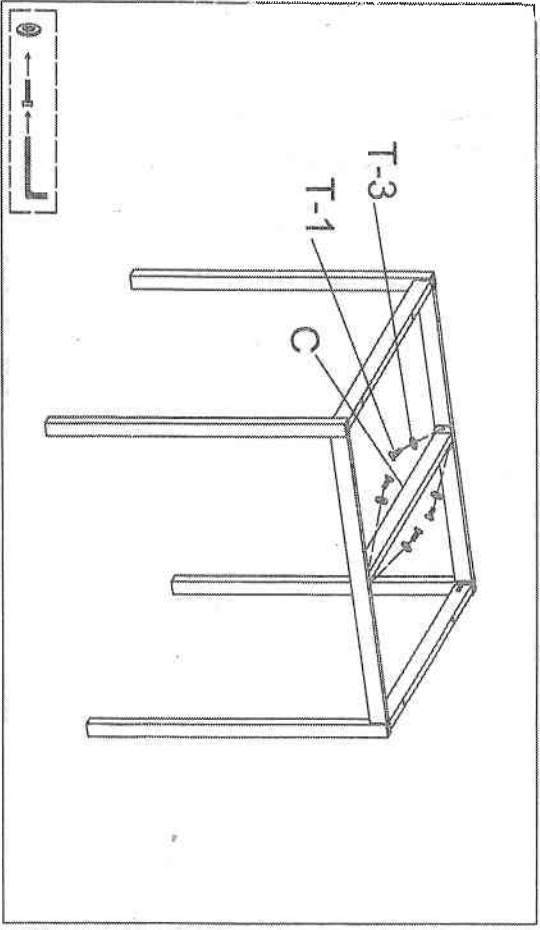
Assembly Steps

ATTENTION:
DO NOT COMPLETELY TIGHTEN ANY SCREWS UNTIL ALL PARTS ARE IN PLACE

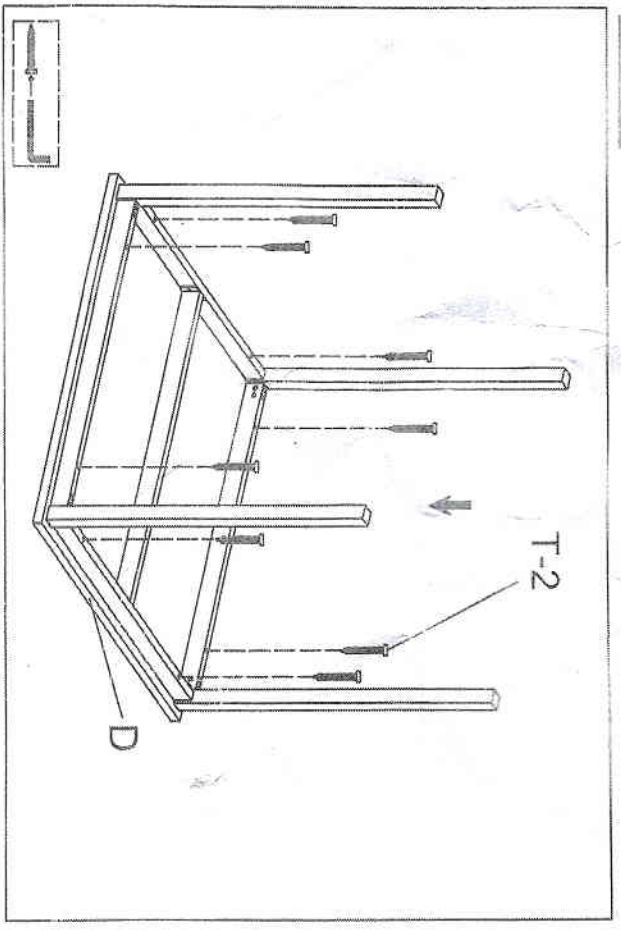
Step 1



Step 2



Step 3



Step 4

