

ASSEMBLY INSTRUCTIONS

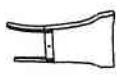








MODEL: MONACO PARSON CHAIR

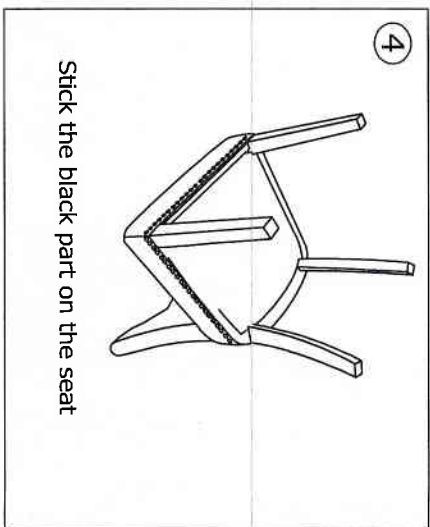
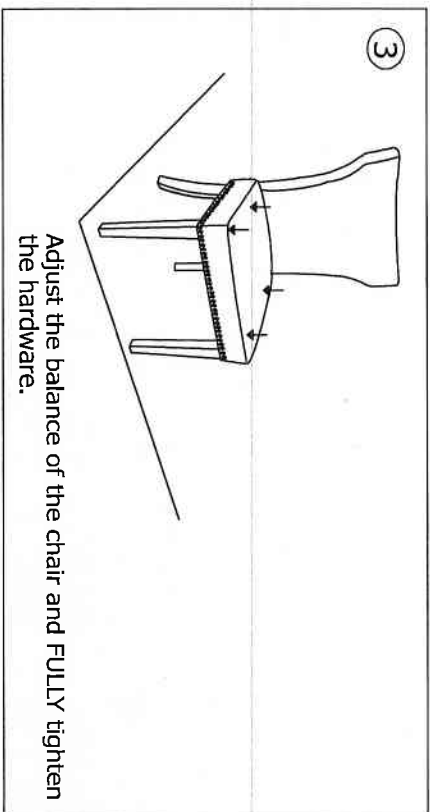
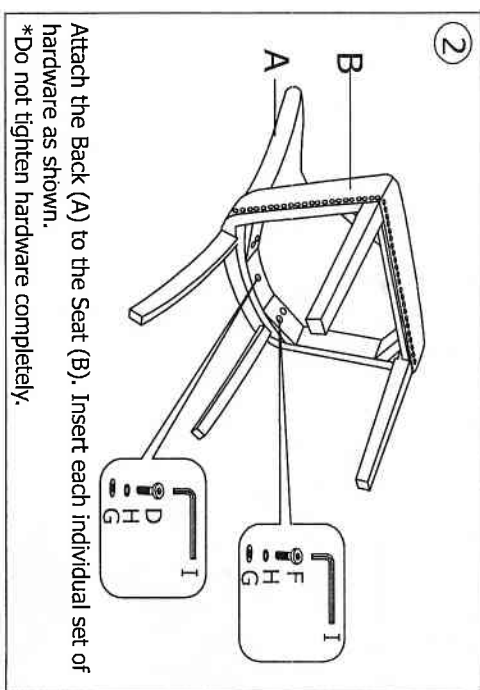
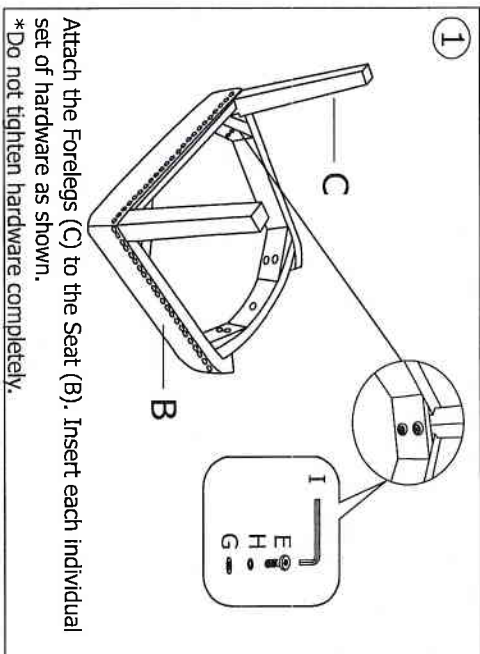
STOP

If you have parts missing or have questions about assembling your product, call toll free 877-267-2261, between 8:00am and 5:00pm Central Time Monday through Friday. We will help you.

Read this instruction carefully. Refer to parts list for guidance. Be sure all parts are complete before assembling. Place all wooden furniture parts on a clean and flat soft surface to prevent scratches. Refer to steps provided as assembling guide.

DO-6087

AX1  Back	FX4  M8x80MM Screw
BX1  Seat	GX9  Plain cushion
CX2  Forelegs	HX9  Shells pad
DX1  M8x55MM Screw	IX1  M6 Allen key
EX4  M8x65MM Screw	



WARNING:
DO NOT STAND ON THE CHAIR, DO NOT USE THIS CHAIR AS A STEP LADDER.
USE THIS PRODUCT ONLY FOR SEATING ONE PERSON AT A TIME.
DO NOT USE THIS CHAIR UNLESS ALL BOLTS, SCREWS AND KNOBS ARE FIRMLY SECURED.
PLEASE DO NOT USE KNIFE TO OPEN ANY PARTS OF THE BOX OR CHAIR.