

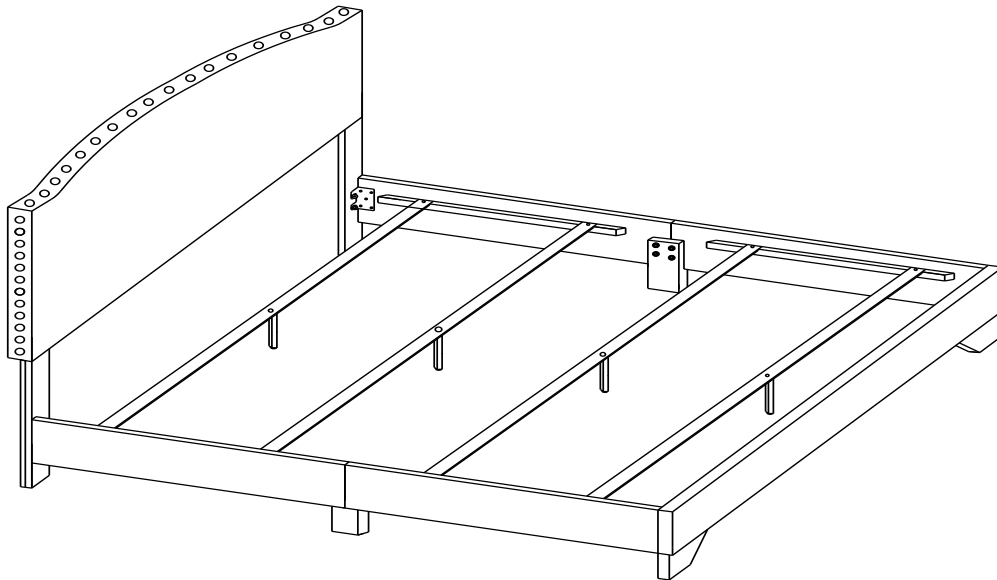


ASEMBLY INSTRUCTION

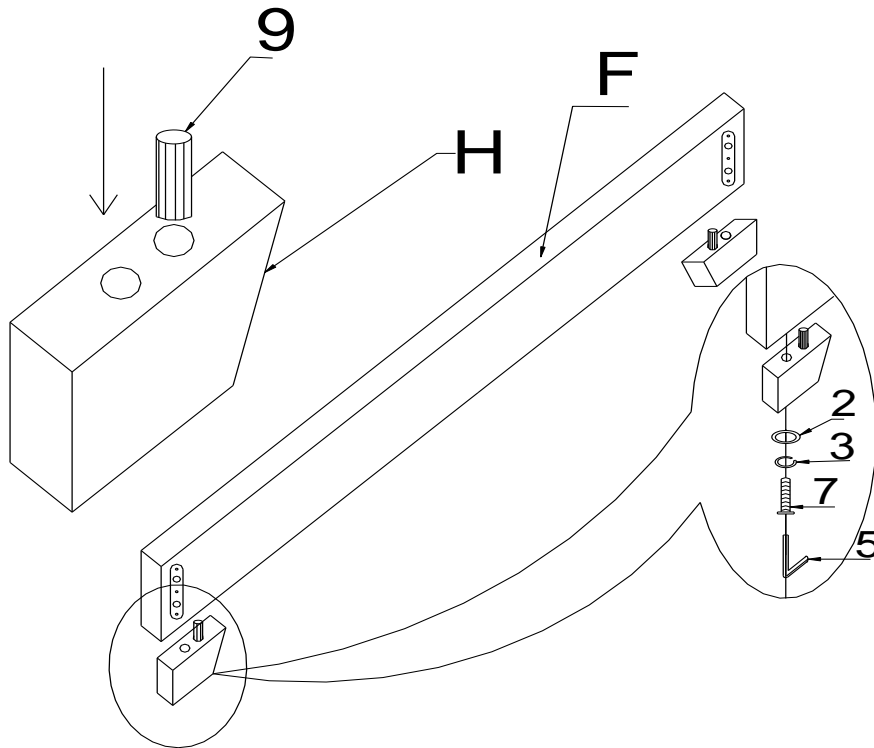
BED BR270 - QUEEN / FULL / TWIN

NO	SKETCH	DESCRIPTION	SIZE	QTY
1		Large Flat Washer	Ø1/4 * 19	24 PCS
2		Small Flat Washer	Ø5/16 * 19	18 PCS
3		Spring washer	Ø5/16 * 15	18 PCS
4		Medium Bolt	Ø1/4 * 35	24 PCS
5		Allen key	Ø5 * 100	1 PC
6		Medium Bolt (to attach HB legs)	Ø5/16 * 45	8 PCS
7		Long Bolt (For FB wood legs)	Ø5/16 * 70 Thread Count 44	2 PCS
8		Short Bolt (to attach the side rail to HB legs & FB)	Ø5/16 * 25 hread Count 22	8 PCS
9		WOOD dowel	Ø8 * 40	2 PCS
10		WOOD SCREW	Ø4 * 30	8 PCS
11		Allen key	Ø4 * 60	1 PC
12		SCREW DRIVER	NOT PROVIDED	

NO	SKETCH	DESCRIPTION	QTY
A		Headboard	1 PC
B1		Headboard right leg	1 PC
B2		Headboard left leg	1 PC
C		Side rails Leg	2 PCS
D1		Side rails left	2 PCS
D2		Side rails right	2 PCS
E		Side rail support rail	4 PCS
F		Footboard	1 PC
G		slats support leg	4 PCS
H		Footboard Legs	2 PCS
I		Slats	4 PCS



STEP 3 : Bolt the footboard legs (H) to footboard (F).



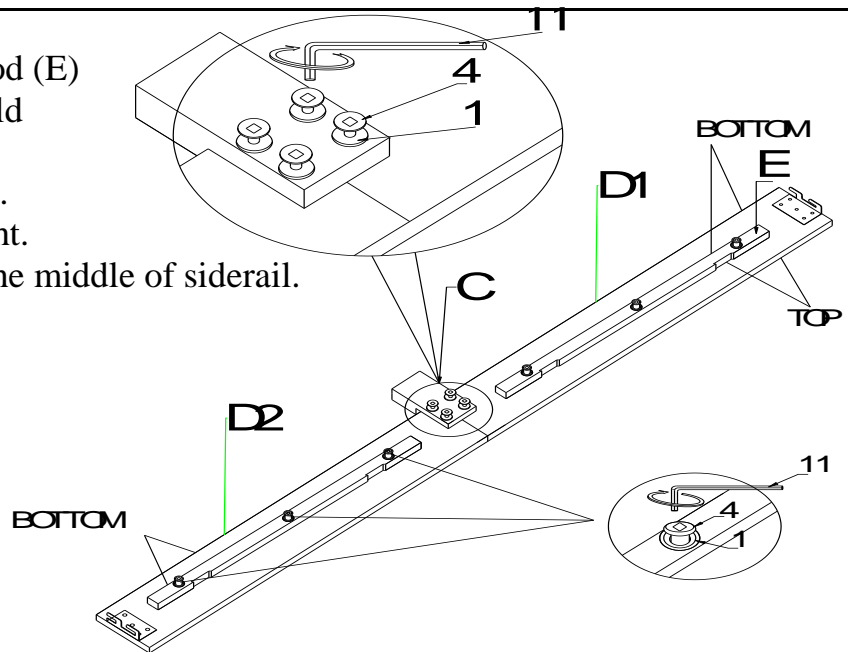
STEP 4

A. Attach the siderail support wood (E) to siderail. The U-shape cut should be towards the top of siderails.

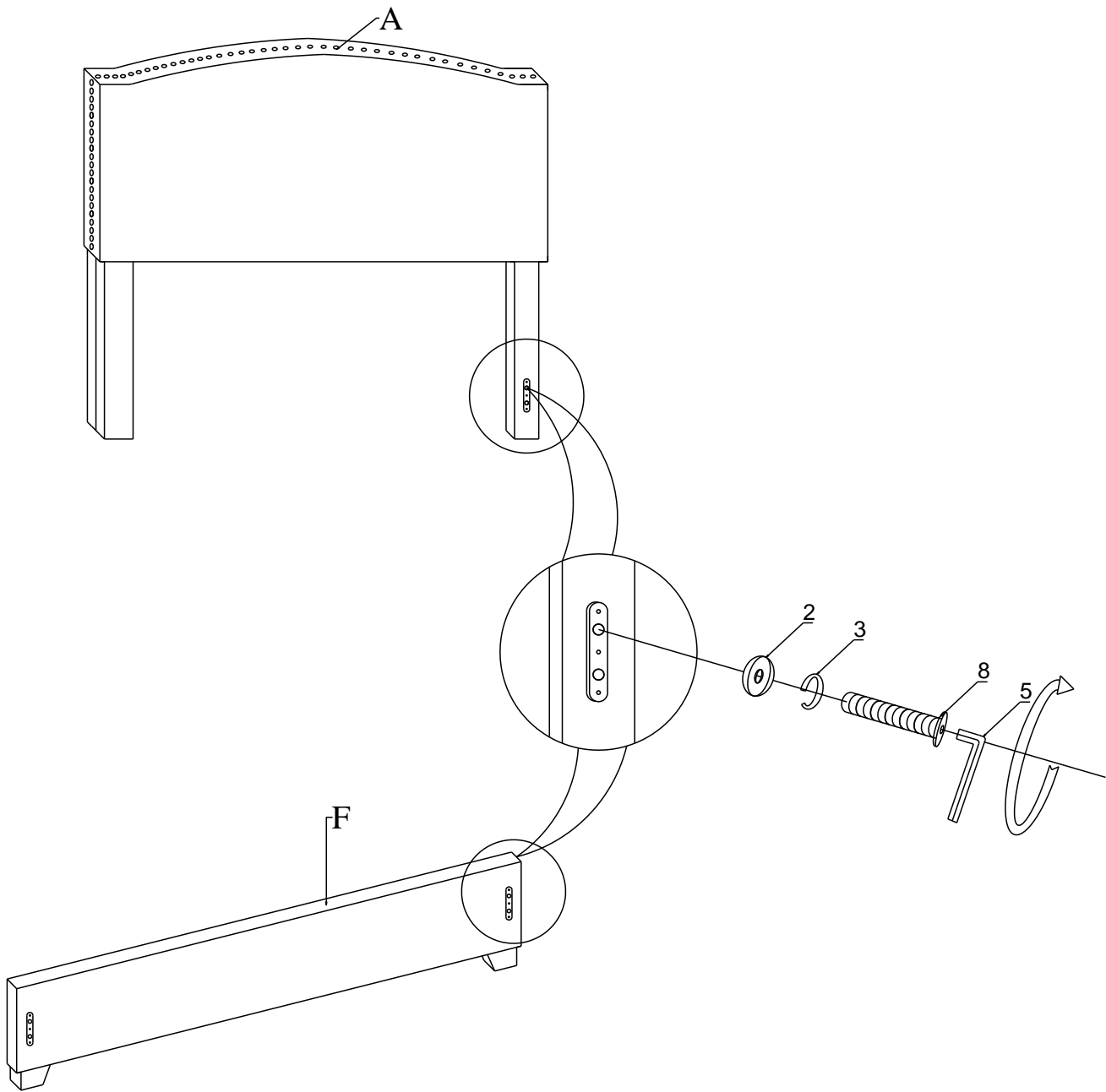
D1 is the siderail hook on the left.

D2 is the siderail hook on the right.

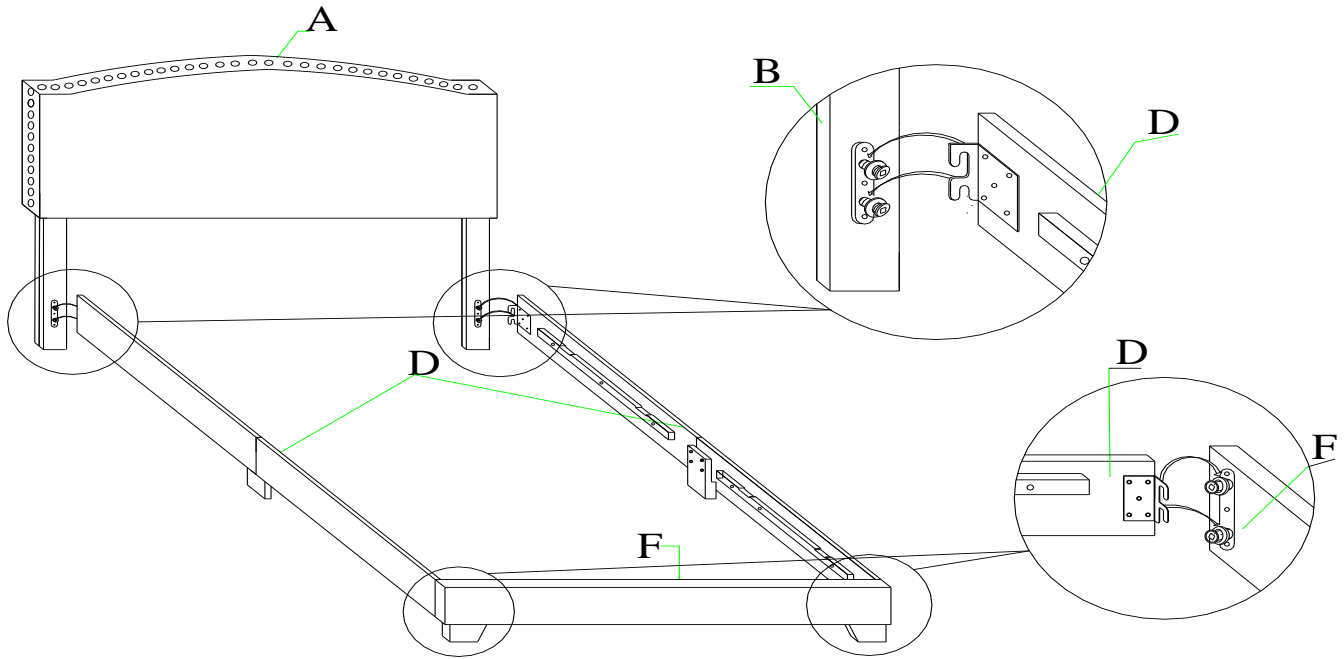
A. Attach the support legs (C) to the middle of siderail.



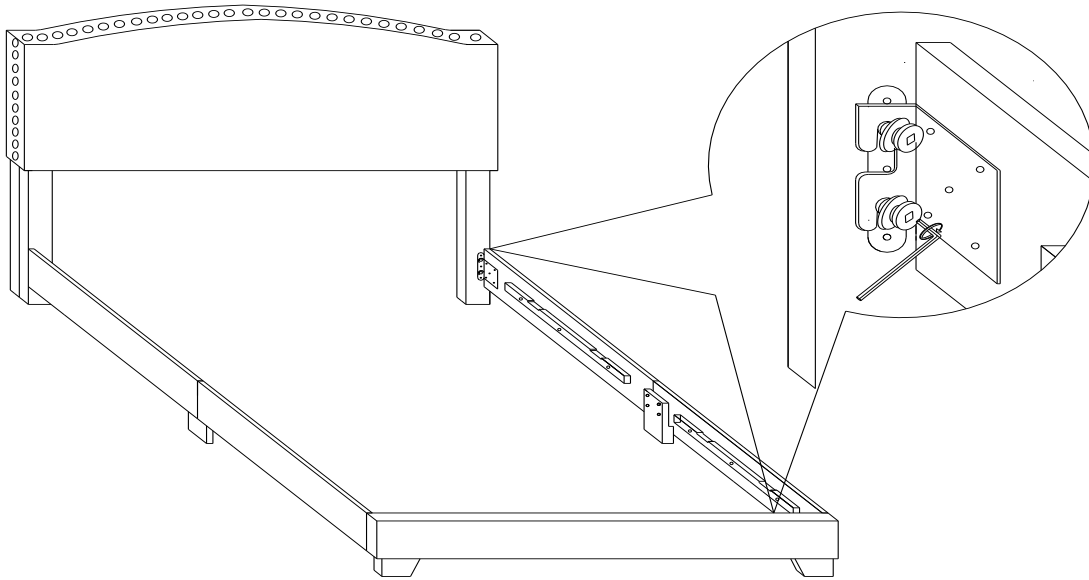
STEP 5: Attach short bolt (No 8) to the headboard bracket and footboard bracket.



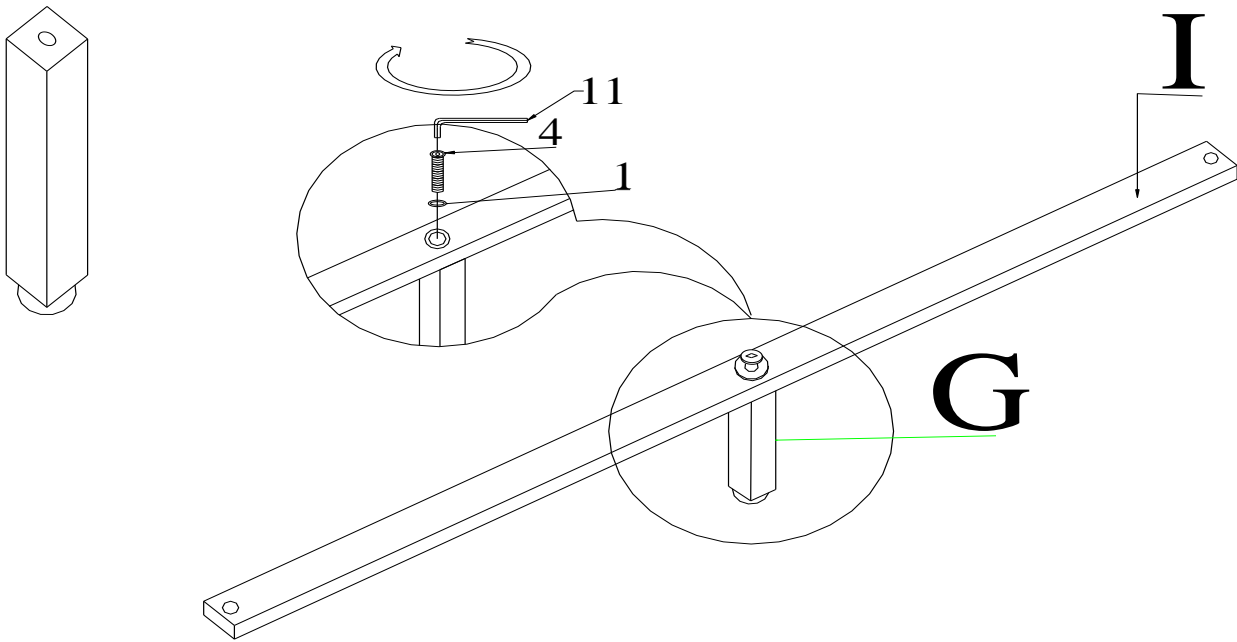
STEP 6: Hook the siderail (D) to headboard(A) & footboard (F) by pushing hook down to the bolts.



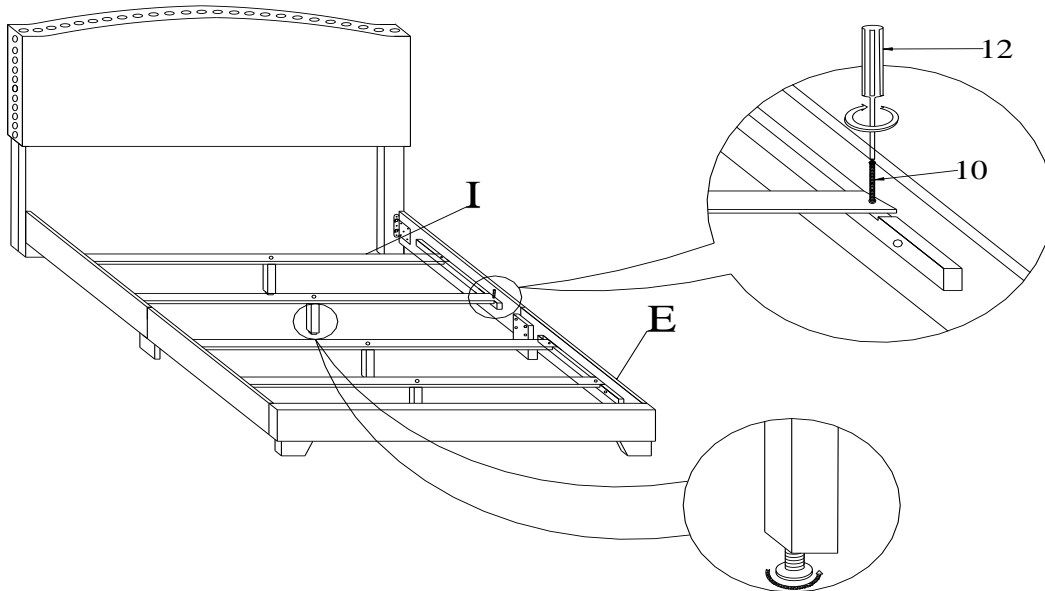
STEP 7: Tight the bolt.



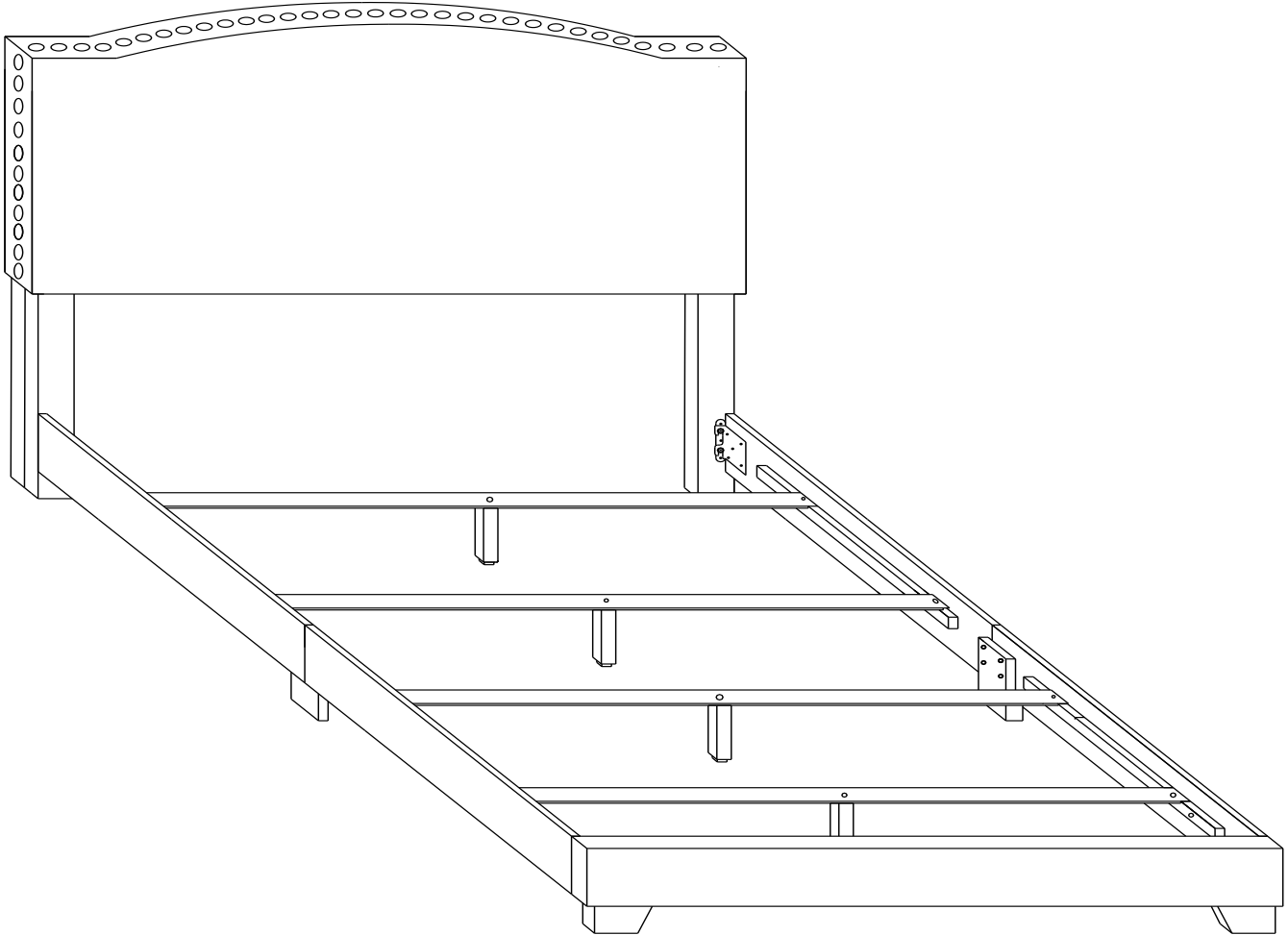
STEP 8: Attach the support legs (G) to the slats (I).



STEP 9: Install the slats (I) to siderail by screw the slats ends to the siderail support wood (E) the slats position should be sitting inside of U-shape cut of support wood.



STEP 10



CONGRATULATION! YOU ARE FINISHED