







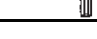
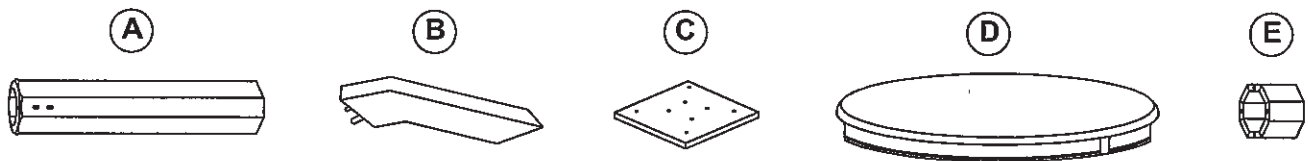




- Tools Included
- Do not throw away packing materials until assembly is complete
- Assemble this item on a soft, clean surface to protect the product
- Proper assembly requires 2 People
- Make sure all parts are included prior to assembling

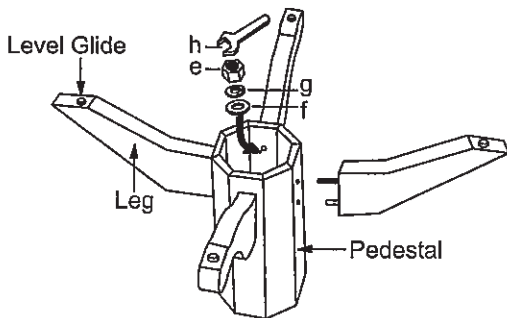
PART LIST		
ITEM	DESCRIPTION	Q'TY
A	Pedestal	1 PC
B	Empire Leg	4 PCS
C	Mounting Plate	1 PC
D	Table Top	1 PC
E	Filler	1 PC

HARDWARE LIST		
ITEM	DESCRIPTION	Q'TY
a	JCBC Bolt M6 x 135 mm 	4 PCS
b	JCBC Bolt M6 x 35 mm 	8 PCS
c	Flat Washer 1/4" 	4 PCS
d	Lock Washer 1/4" 	4 PCS
e	Hex Nut 	4 PCS
f	Flat Washer 5/16" 	4 PCS
g	Lock Washer 5/16" 	4 PCS
h	Wrench 12.8mm 	1 PC
i	Allen Key M4 	1 PC



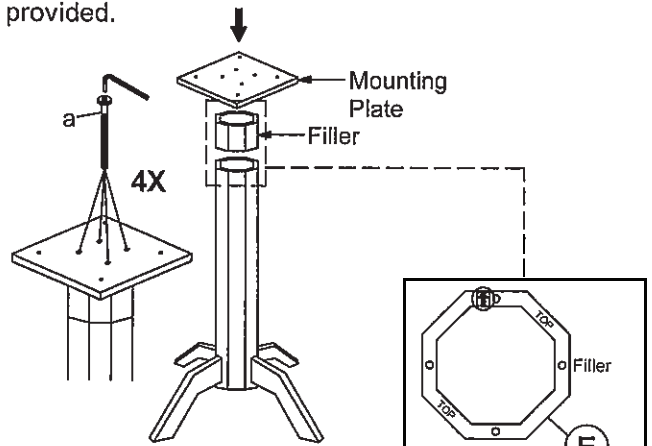
STEP 1

Turn the pedestal upside down. Attach legs by inserting hanger bolts through pre-drilled holes on pedestal. Put a Flat Washer (Large) (f), Lock Washer (Large) (g) and Hex Nut (e) onto the hanger bolts then tighten with the provided Wrench (h). Turn the base right side up.



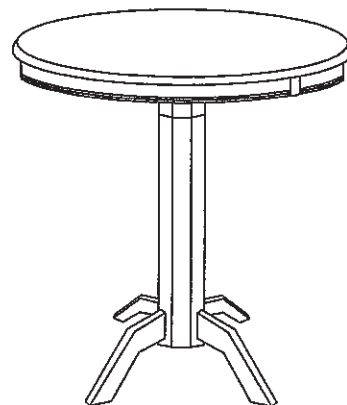
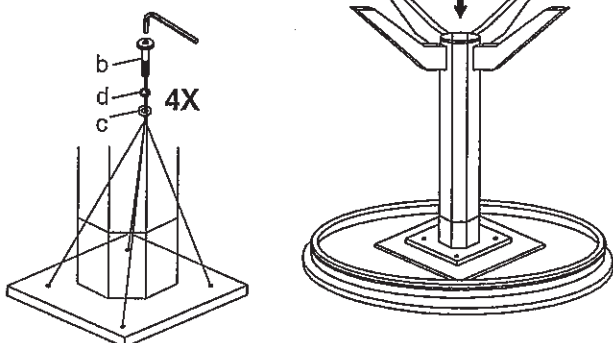
STEP 2

Attach mounting plate with filler as shown. Secure JCBC Bolt (a), then tighten all the bolts with Allen key (i) provided.



STEP 3

Position the table top upside down on a smooth, protective surface such as carpet. Install the table base and secure with Flat Washer (Small) (c), Lock Washer (Small) (d) and JCBC Bolt (b).



COMPLETE VIEW

