

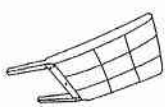








# ASSEMBLY INSTRUCTIONS

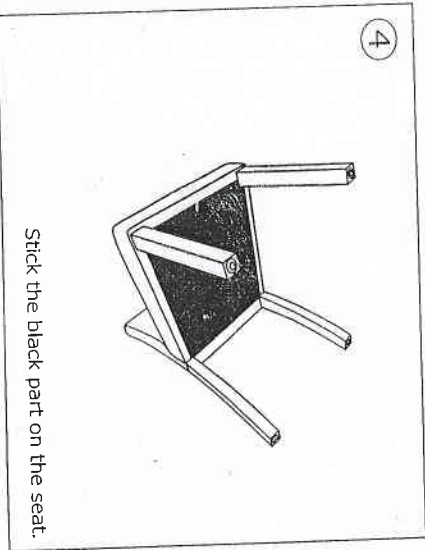
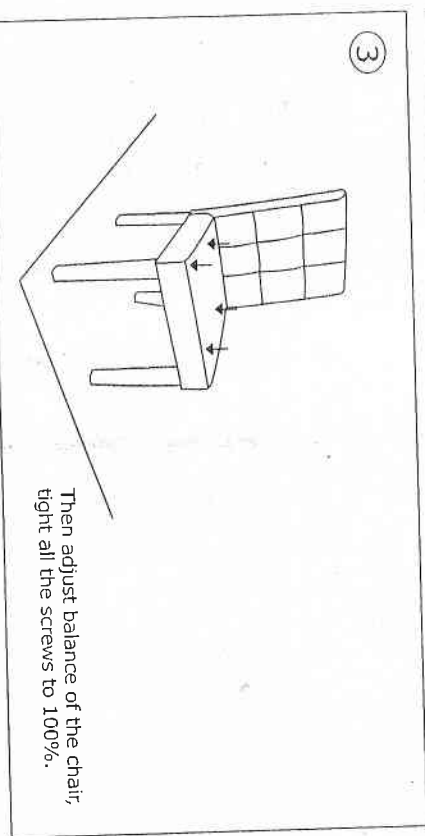
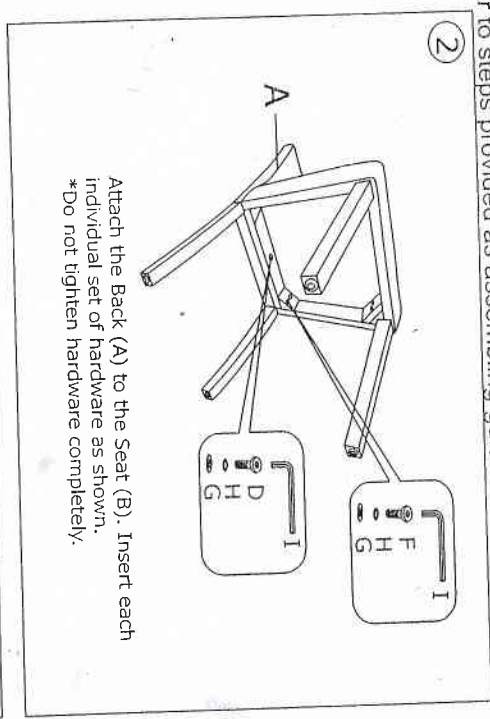
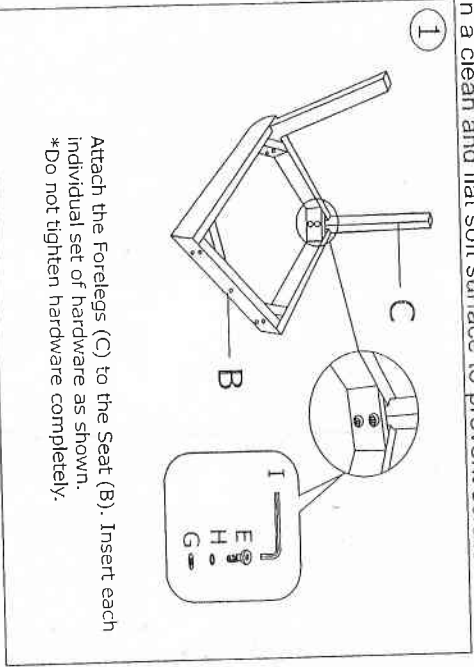
MODEL: LYON PARSON DINING CHAIR

**STOP**

If you have parts missing or have questions about assembling your product, call toll free 877-267-2261, between 8:00am and 5:00pm Central Time Monday through Friday. We will help you.

Read this instruction carefully. Refer to parts list for guidance. Be sure all parts are complete before assembling. Place all wooden furniture parts on a clean and flat soft surface to prevent scratches. Refer to steps provided as assembling guide.

<b>AX1</b>  Back	<b>Fx4</b>  <b>M8x80MM</b> Screw
<b>Bx1</b>  Seat	<b>Gx9</b>  Flat washer
<b>Cx2</b>  Forelegs	<b>Hx9</b>  Spring washer
<b>Dx1</b>  <b>M8x55MM</b> Screw	<b>Ix1</b>  M8 Allen key
<b>EX4</b>  <b>M8x65MM</b>	



**WARNING:**  
DO NOT STAND ON THE CHAIR. DO NOT USE THIS CHAIR AS A STEP LADDER.  
USE THIS PRODUCT ONLY FOR SEATING ONE PERSON AT A TIME.  
DO NOT USE THIS CHAIR UNLESS ALL BOLTS, SCREWS AND KNOBS ARE FIRMLY SECURED.  
AT LEAST EVERY 4 MONTHS, CHECK ALL BOLTS, SCREWS AND KNOBS TO BE SURE THEY ARE TIGHT.  
IF PARTS ARE MISSING, BROKE, DAMAGED OR WORN, STOP USING THIS PRODUCT UNTIL YOU HAVE REPAIRED IT FULLY.  
FAILURE TO FOLLOW THESE WARNINGS COULD RESULT IN SERIOUS INJURY.  
PLEASE DO NOT USE KNIFE TO OPEN ANY PARTS OF THE BOX OR CHAIR.