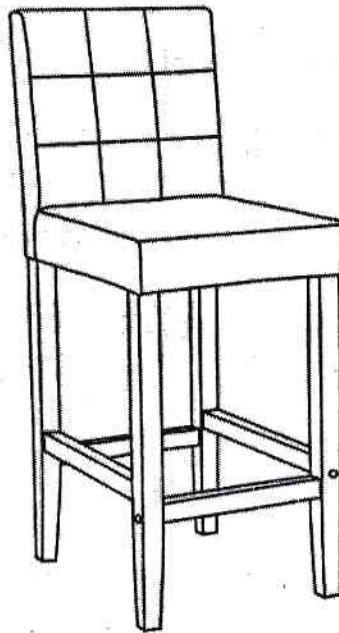


Boraam

Product Instructions for:

82129 82329 82229 82429 82124 82324 82224 82424 Lyon Parson Stool



WARNING!

- Children should not use this product without supervision.
 - Do not stand on chair, or use chair as a ladder.
 - Only one person should be on the chair at a time.
 - Prior to use, thoroughly tighten all screws and bolts.
 - All screws and bolts should be periodically inspected for tightness and security. Tighten all fasteners as necessary.
 - Discontinue use of this product if any portion is missing, damaged or worn.
- Failure to follow assembly instructions and heed all warnings may result in serious injury and/or death.

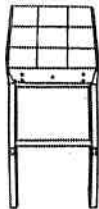
For assistance with assembly or questions contact:
Customer Service, info@boraam.com | www.boraam.com

Lyon Parson Stool

Before beginning assembly, separate all parts and carefully study the parts diagrams below. Review all parts and hardware before disposing of any packaging. You may receive extra hardware with your unit. For damaged or missing parts, or assistance assembling your product, please call toll free in the USA- 877-267-2261. Customer service is available on your purchase from 8am to 5pm Central Standard Time, Monday through Friday. Customer service is also available via email at- Info@boraam.com.

Parts List

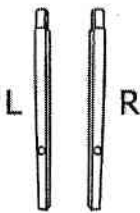
A: Back (1)



B: Seat (1)



C: Front legs (2)



D: Side rail(2)



E: Front rail(1)



F: Flat Washer (9)



G: Spring Washer (9)



H: Bolt: M8*2" (5)



For assistance with assembly or questions contact:
Customer Service, Info@boraam.com | www.boraam.com

Lyon Parson Stool

I: Bolt: M8*2-1/7" (4)



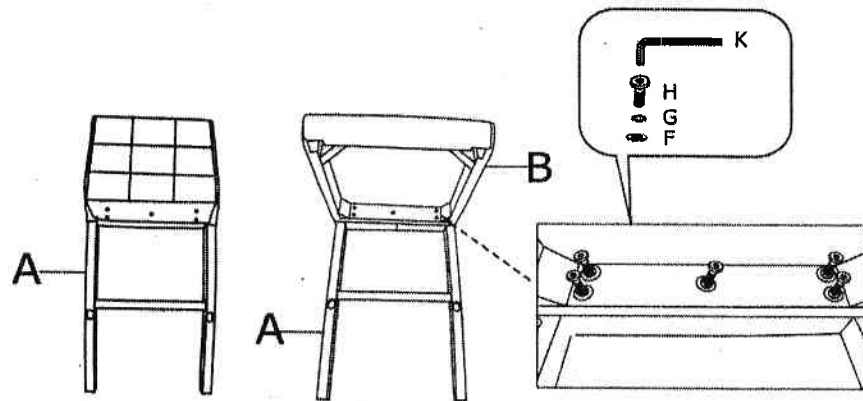
J: Bolt: M6*1-4/5" (6)



K: Allen key (1)



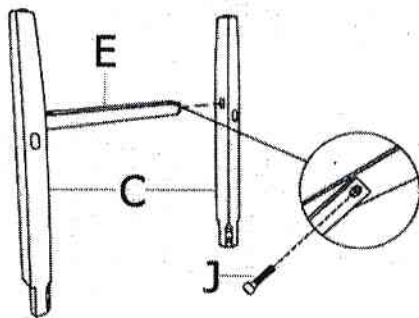
Figure 1



Step 1

Attach the Seat (B) to the Back (A). Insert each individual set of hardware as shown. *Do not tighten hardware completely.

Figure 2



Step 2

Attach the Front rail (E) to the Front legs (C). Insert each individual set of hardware as shown. *Do not tighten hardware completely.

Lyon Parson Stool

Assembly Instructions

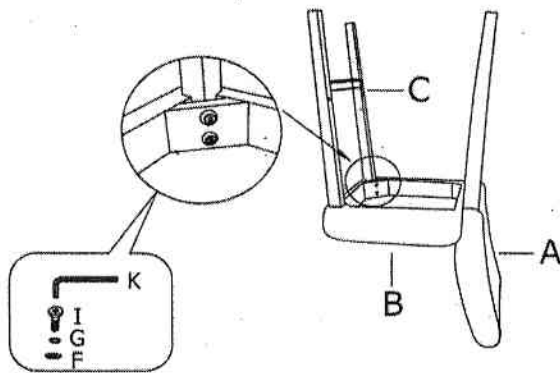


Figure 3

Step 3

Attach the Front legs (C) to the Seat (B). Insert each individual set of hardware as shown.

*Do not tighten hardware completely

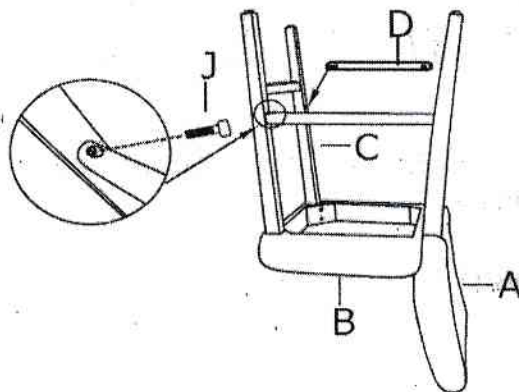


Figure 4

Step 4

Attach the Side rail (D) to the legs. Insert each individual set of hardware as shown.

*Do not tighten hardware completely

Lyon Parson Stool

Assembly Instructions

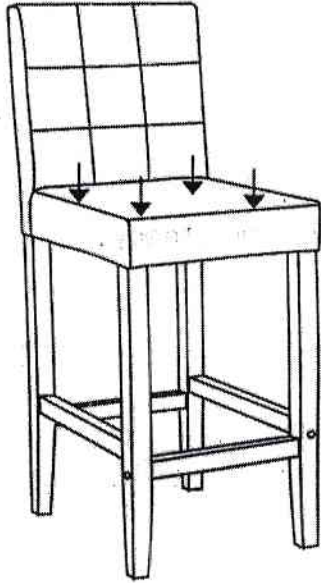


Figure 5

Step 5

Then adjust balance of this chair, tighten all the screws to 100%.

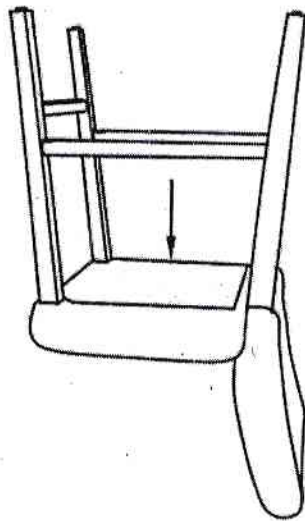


Figure 6

Step 6

Stick the black part on the seat.

Lyon Parson Stool

Assembly Instructions

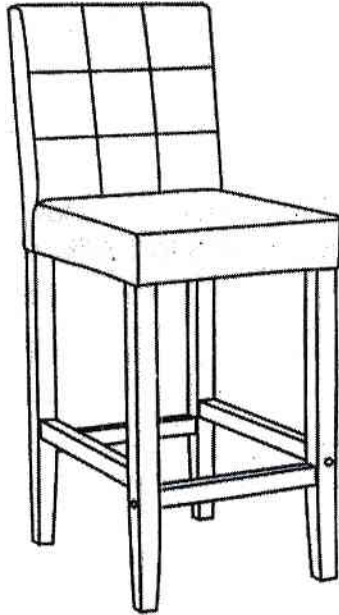


Figure 7

Step 7

Finally, Your chair is ready.