











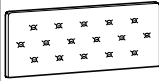









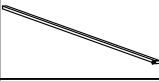



ASSEMBLY INSTRUCTIONS

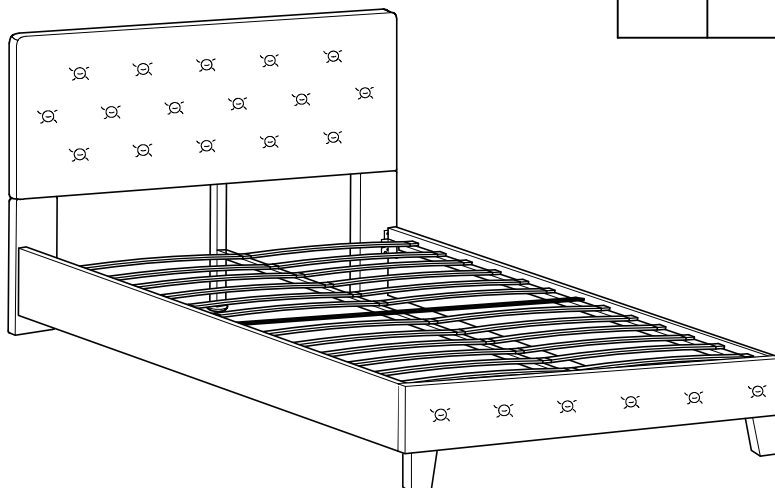
95116 / 95117

HARDWARE LIST

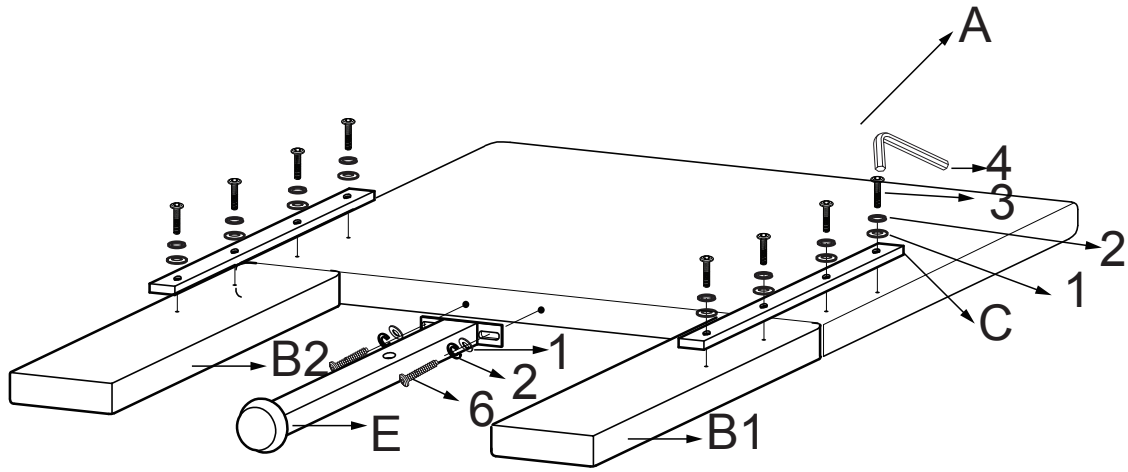
NO	SKETCH	DESCRIPTION	SIZE	QTY
1		Flat Washer	M8 x 16mm	28PCS
2		Spring Washer	M8	25PCS
3		Bolt	M8 x 45mm	11PCS
4		Allen Key	M5x70x60mm	1PCS
5		Bolt	M8 x 65mm	2PCS
6		Bolt	M8 x 25mm	12PCS
7		Wood dowel	M8 x 35mm	2PCS
8		Bolt	M6 x 45mm	3PCS
9		Wing nut	M6	3PCS
10		Allen Key	M4x50x45mm	1PC

PARTS LIST

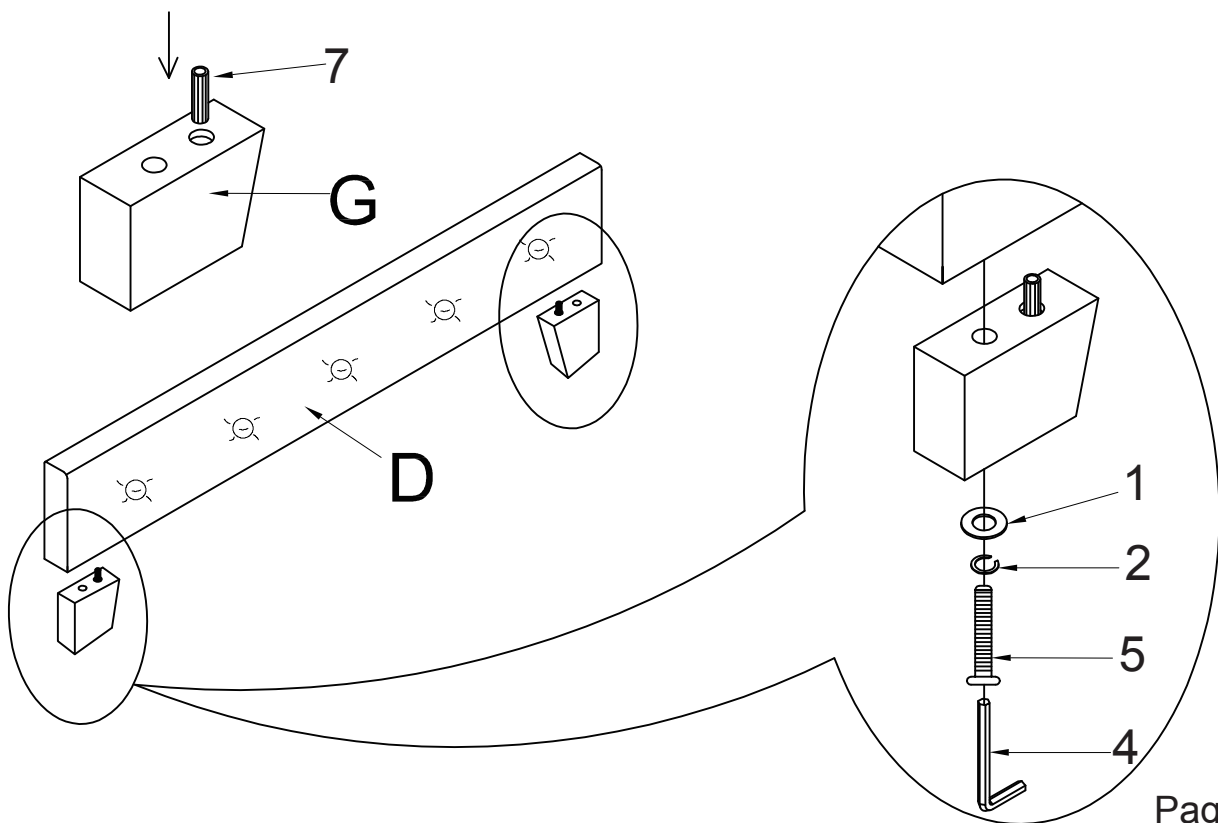
NO	SKETCH	DESCRIPTION	QTY
A		Headboard	1PC
B1		Left Headboard Leg	1PC
B2		Right Headboard Leg	1PC
C		Connecting Bar	2PCS
D		Footboard	1PC
E		Headboard Support Leg	1PC
F		Center Rail Support Leg	2PCS
G		Footboard Leg	2PCS
H		Flat Slat	1PCS
I		Curved Slat	24PCS
J		Center Rail	1PC
K		Center Plastic Connector	12PCS
L		End Cap	24PCS
M		Side Rail	2PCS



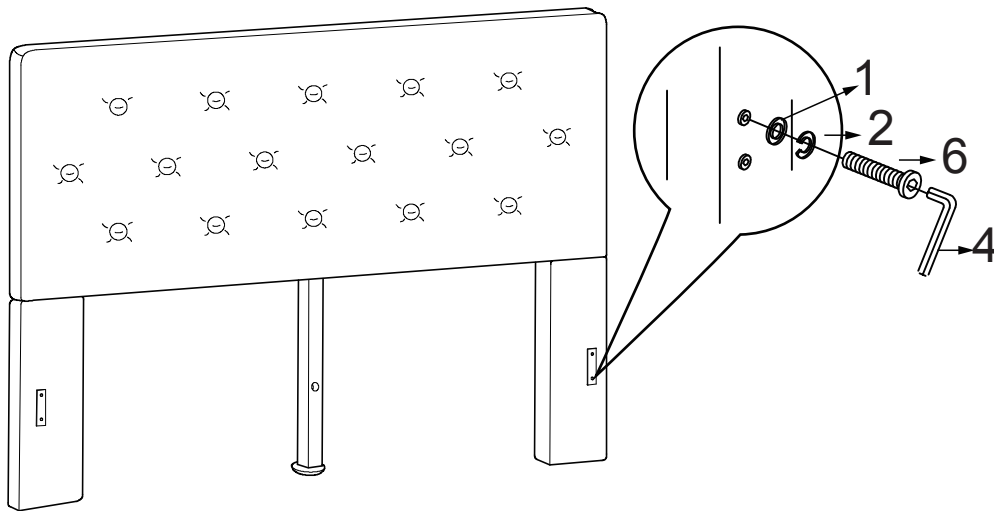
Step 1.



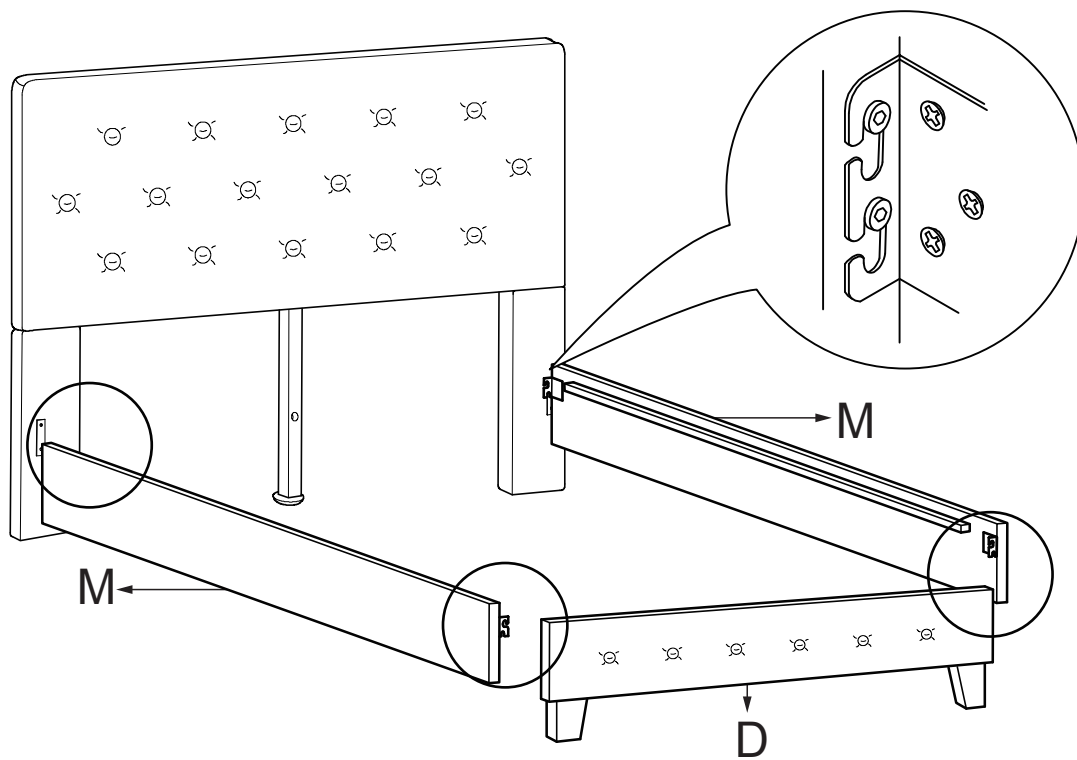
Step 2.



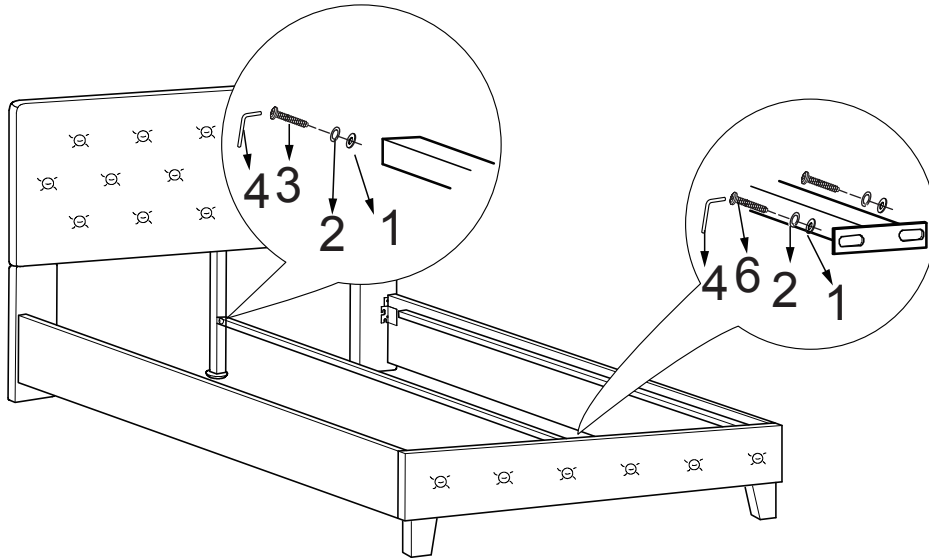
Step 3.



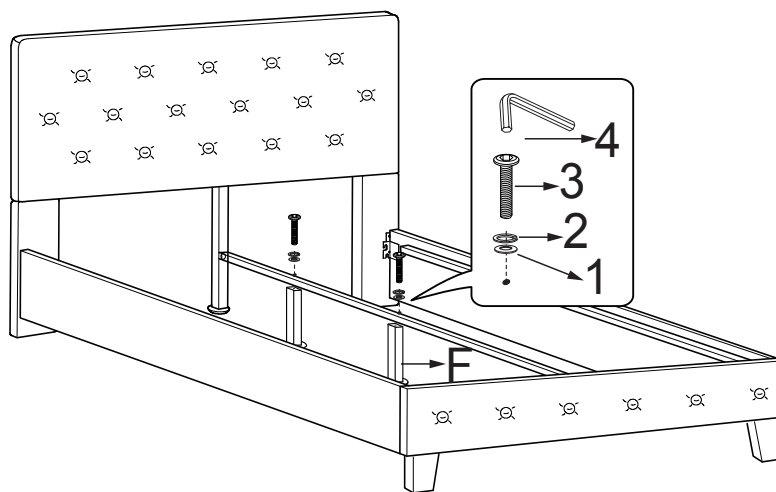
Step 4.



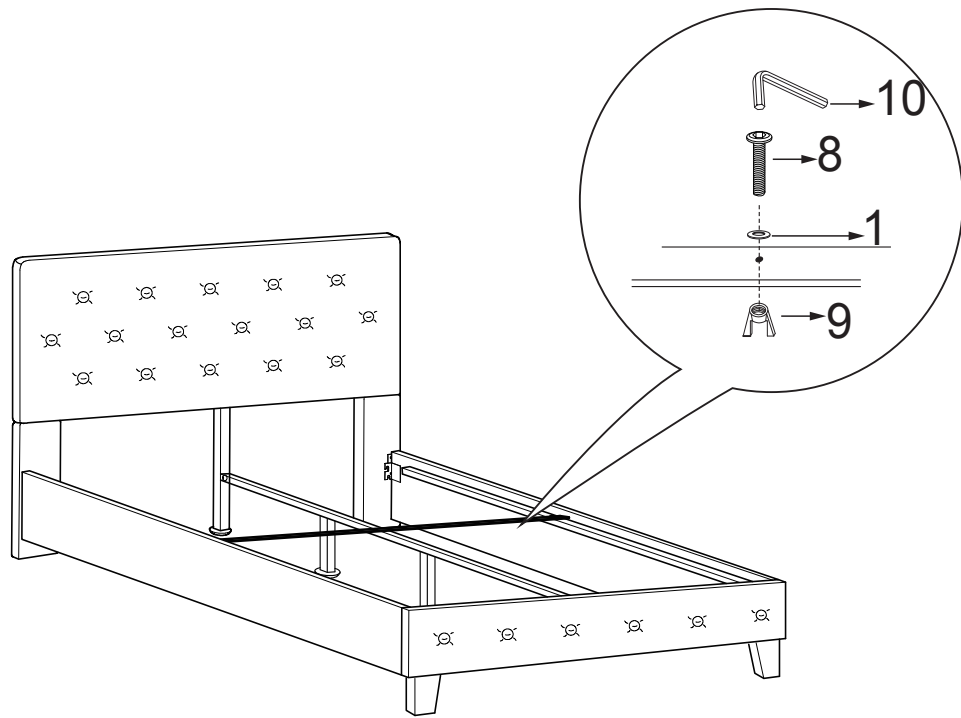
Step 5.



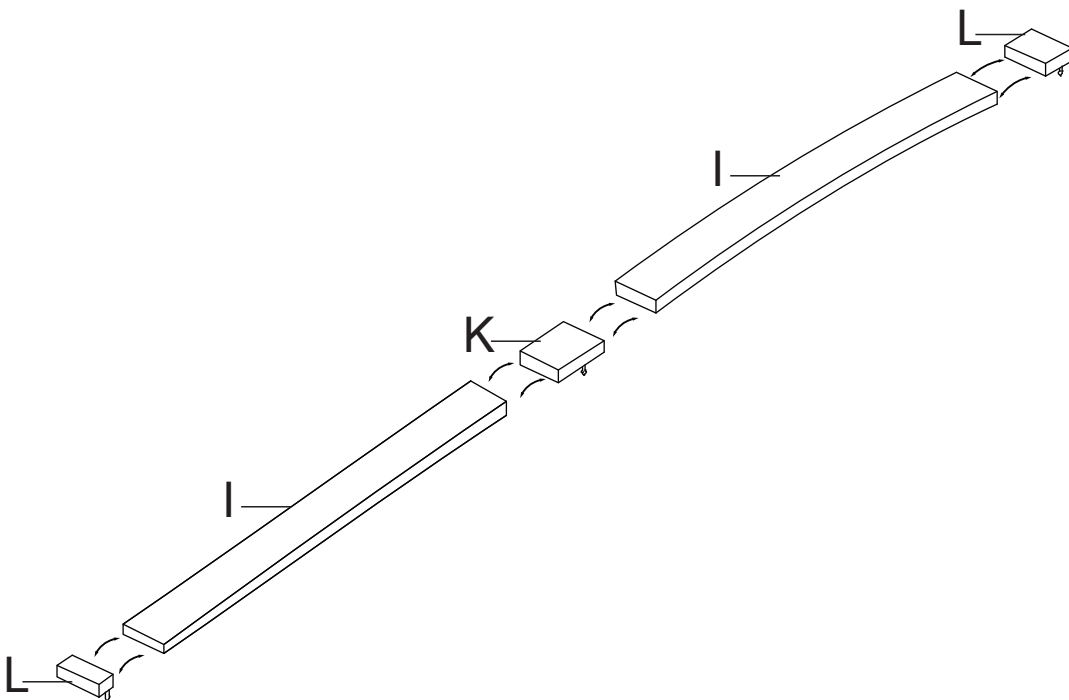
Step 6.



Step 7.



Step 8.



Step 9.

