

# ASSEMBLY INSTRUCTION

## SANTOS ROUND TABLE

If you have parts missing, or have questions about **assembling** the table, call toll **free** (877) 267-2261 between 8:30am and 5:00pm Central time, Monday through Friday. We will help you.

Read **these instructions** carefully.

**Refer to hardware and furniture parts list for guidance.**




**Make sure all parts are available prior to**

assembling. Place all wooden furniture parts on a clean and flat soft surface to prevent scratches. Refer steps provided as assembling guide.

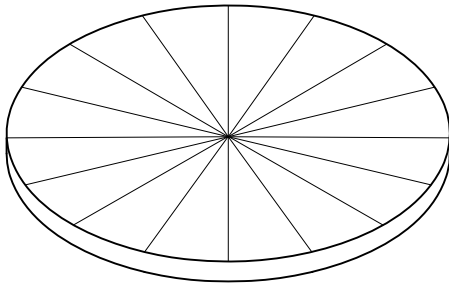
### PART LIST

ITEM	DESCRIPTION	QTY
A	Table Top	1PC
B	Table Leg	1PC

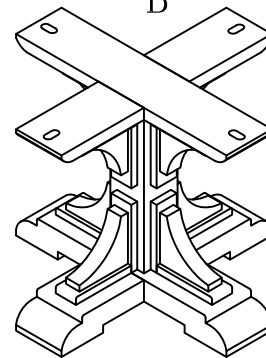
### HARDWARE LIST

ITEM	DESCRIPTION	QTY
1	SCREW M8*65MM 	4 PCS
2	WASHER 	4 PCS
3	ALLEN WRENCH 	1 PC

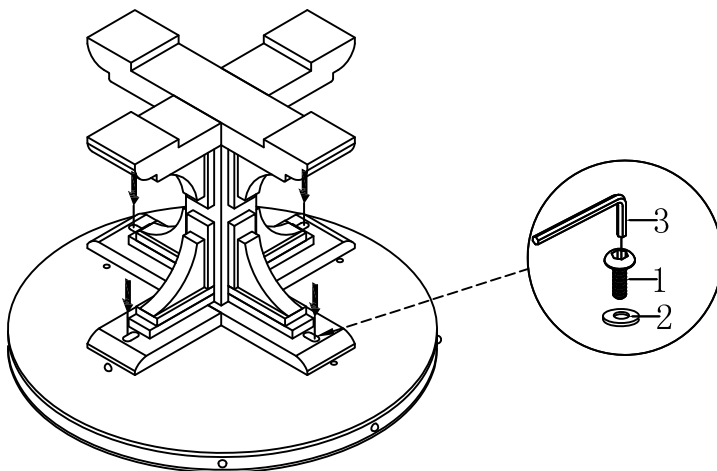
A



B



### STEP 1



### THE END

