








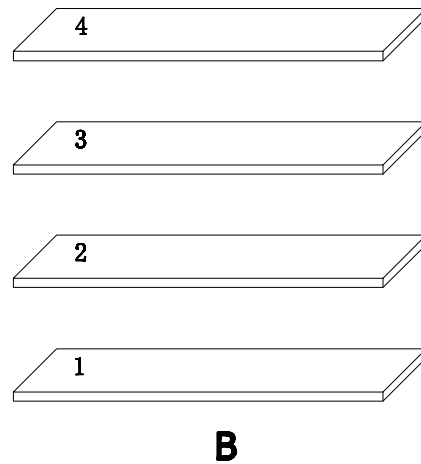
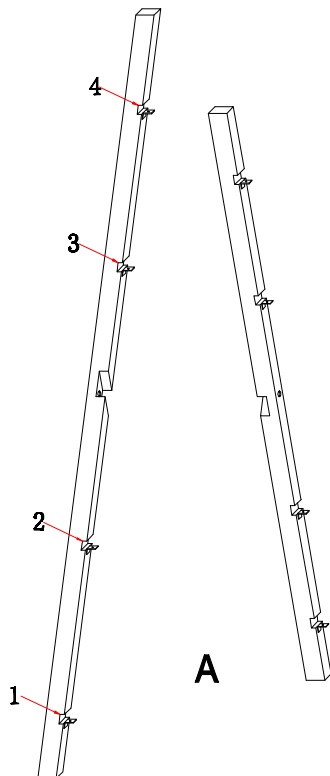


MARLIN BOOKSHELF
 Assmby Instructions
18100

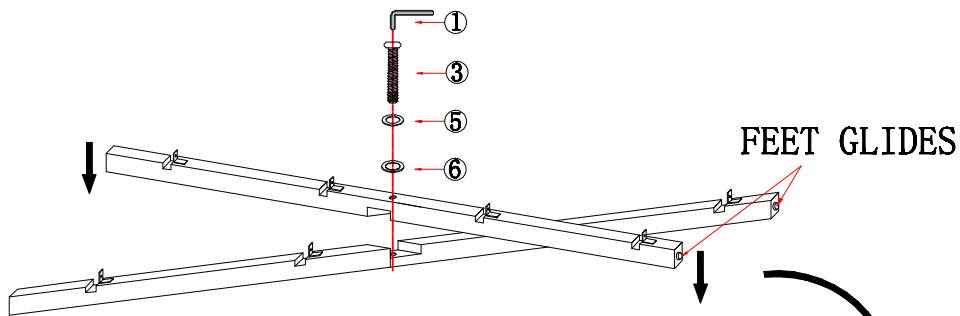
- . Tools included
- . Do not throw away packaging materials until assembly is complete
- . Assemble this item on a soft, clean surface to protect the product
- . Proper assemble requires 2 people
- . Make sure all parts are included prior to assembling

PART LIST		
ITEM	DESCRIPTION	QTY
A	Shelf Supports	4PCS
B	Shelves	4PCS

PART LIST		
ITEM	DESCRIPTION	QTY
1	Allen Wrench (M8) 	1PC
2	Allen Wrench (M6) 	1PC
3	Screw M8*40MM 	2PCS
4	Screw M6*16MM 	16PCS
5	Lock Washer 	2PCS
6	Washer 	2PCS
7	Antitip Kits 	1SET

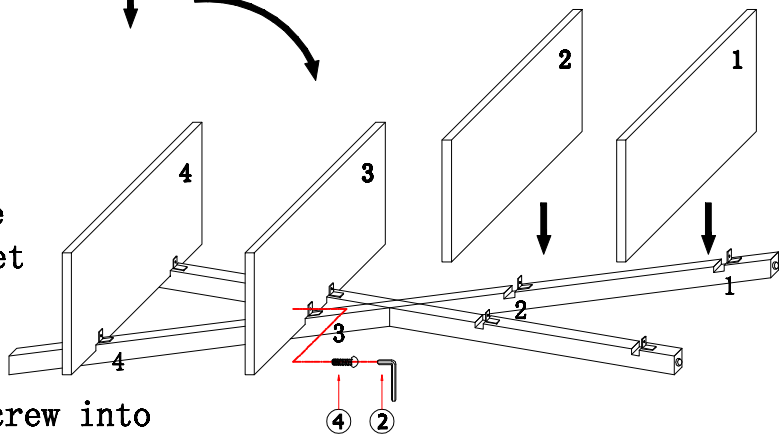


STEP 1: Put the support on the side

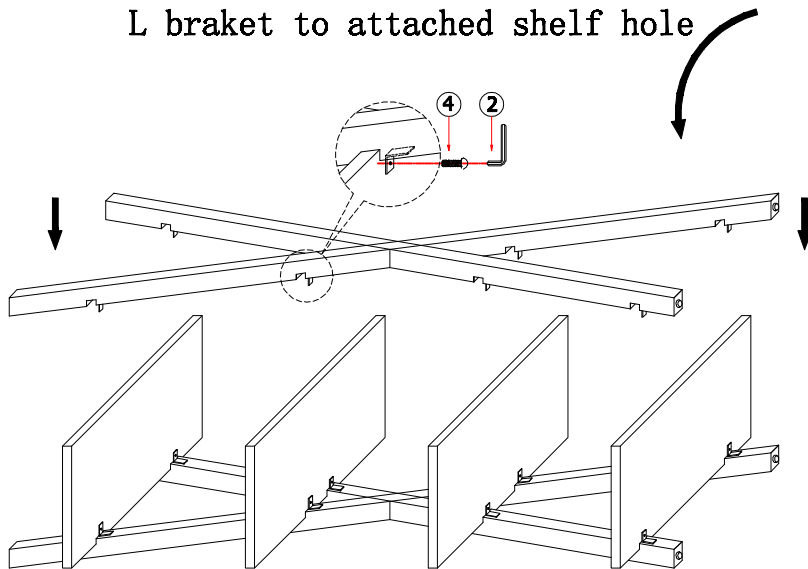


STEP 2:

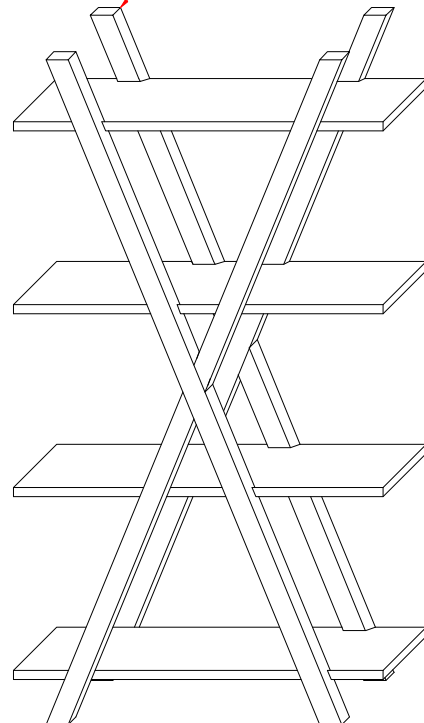
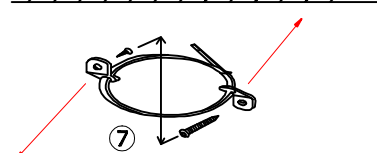
Insert the shelf according the number, put screw into L braket to attached shelf hole



STEP 3: Cover the support put screw into L braket to attached shelf hole



Wall



STEP END: Stand up