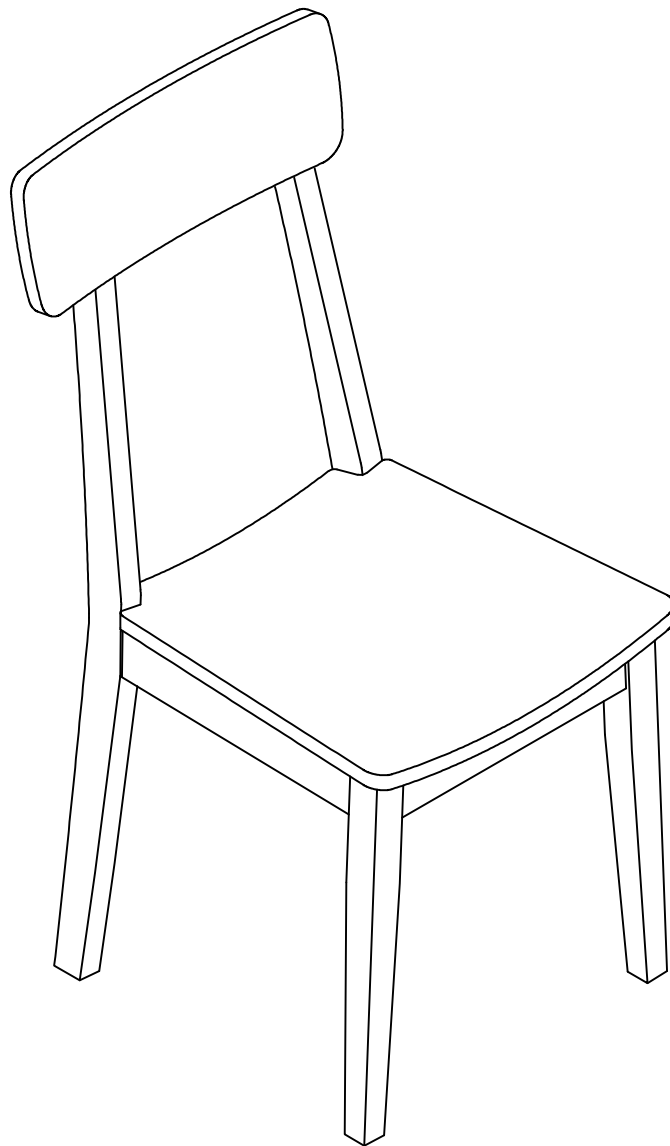




Boraam Industries

HAGEN DINING CHAIR

ASSEMBLY INSTRUCTIONS





PLEASE READ ME FIRST



- Have questions about assembling your item?



- Item or parts damaged?



- Missing a part?



- We're here to help!



(847)949-6300 (M-F, 9am-5pm CST)

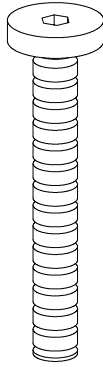


www.boraamindustries.com



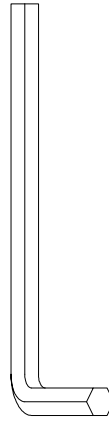
customerservice@boraamindustries.com

A



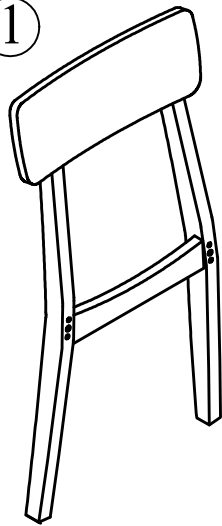
9 PCS

B

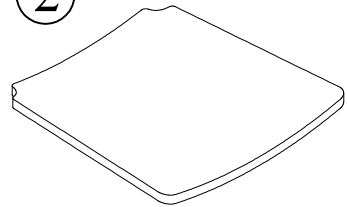


1 PC

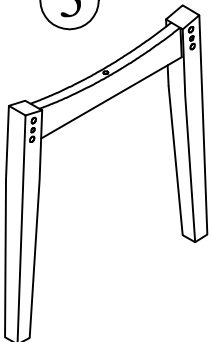
①



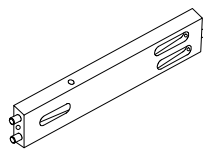
②



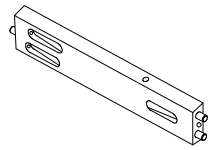
③



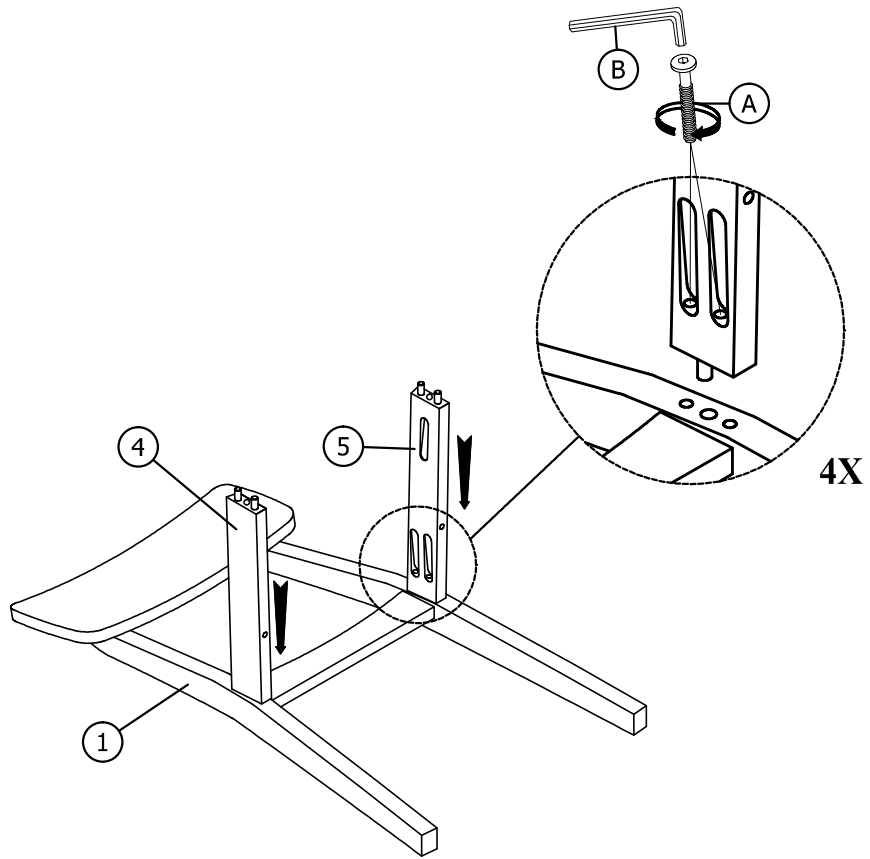
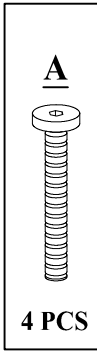
④



⑤

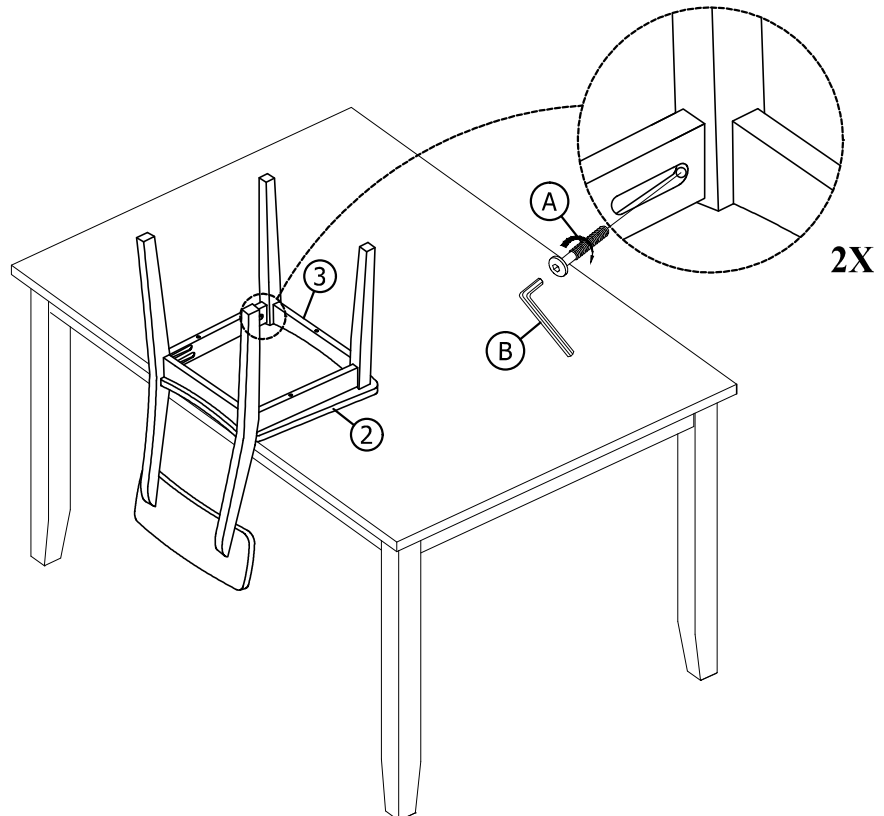
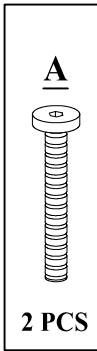


01



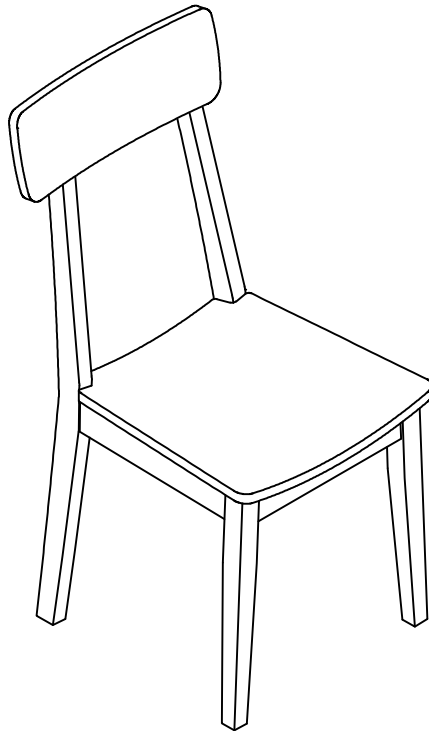
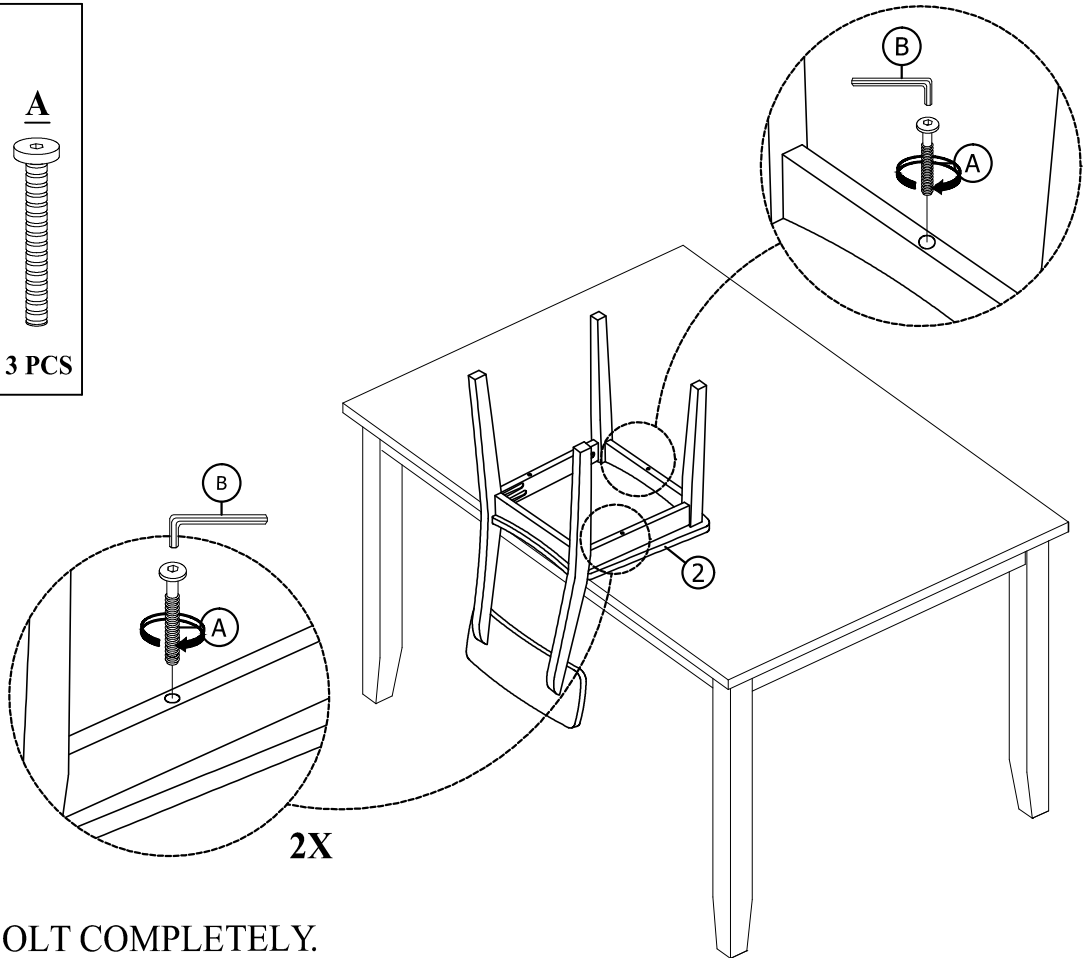
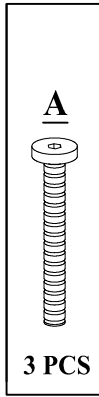
DO NOT TIGHTEN BOLT COMPLETELY.

02



DO NOT TIGHTEN BOLT COMPLETELY.

03



BE SURE TO CHECK ALL BOLTS ARE SECURELY
TIGHTENED PRIOR USING THIS CHAIR.