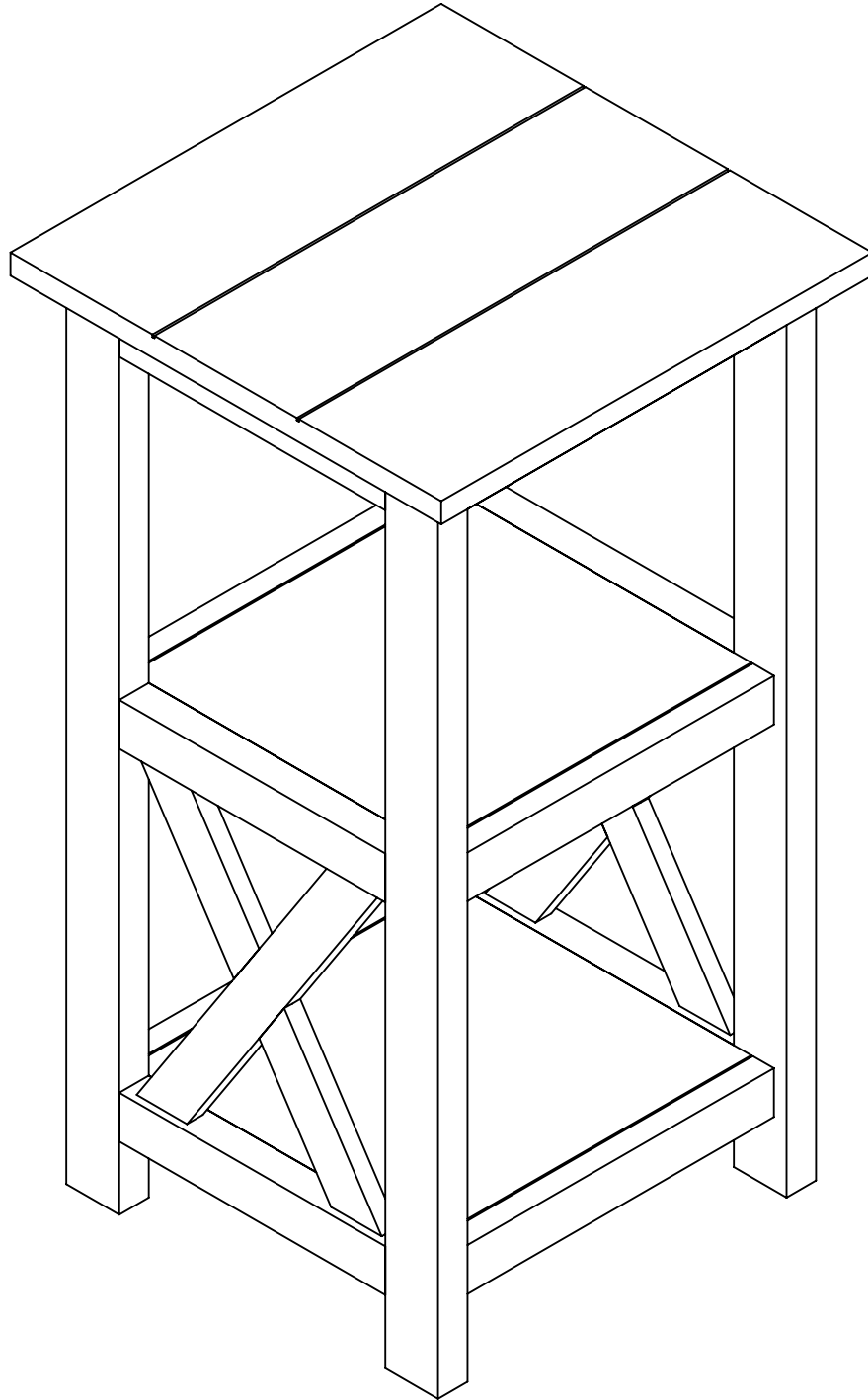




*Boraam Industries*  
**JAMESTOWN BOOKCASE**

ASSEMBLY INSTRUCTIONS





**PLEASE READ ME FIRST**



- Have questions about assembling your item?



- Item or parts damaged?



- Missing a part?



- We're here to help!



(847)949-6300 (M-F, 9am-5pm CST)

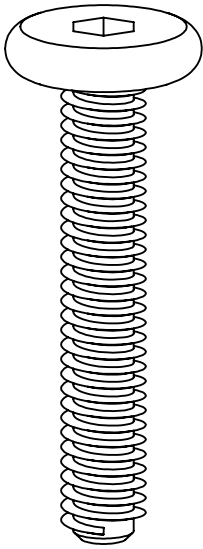


[www.boraamindustries.com](http://www.boraamindustries.com)



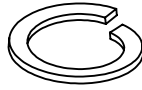
[customerservice@boraamindustries.com](mailto:customerservice@boraamindustries.com)

**A**



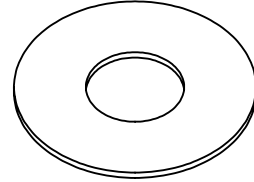
**12 PCS**

**B**



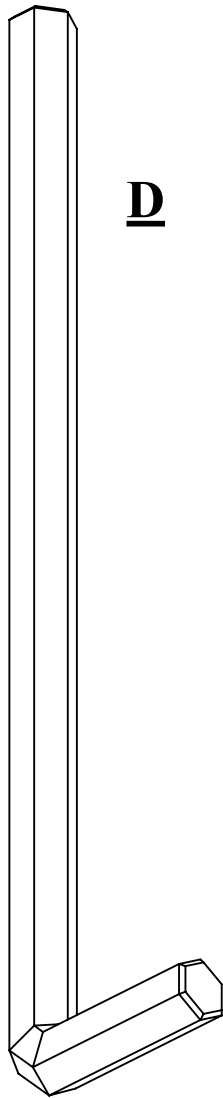
**12 PCS**

**C**



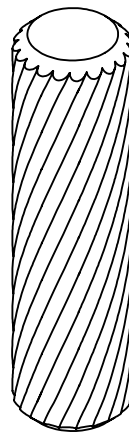
**12 PCS**

**D**



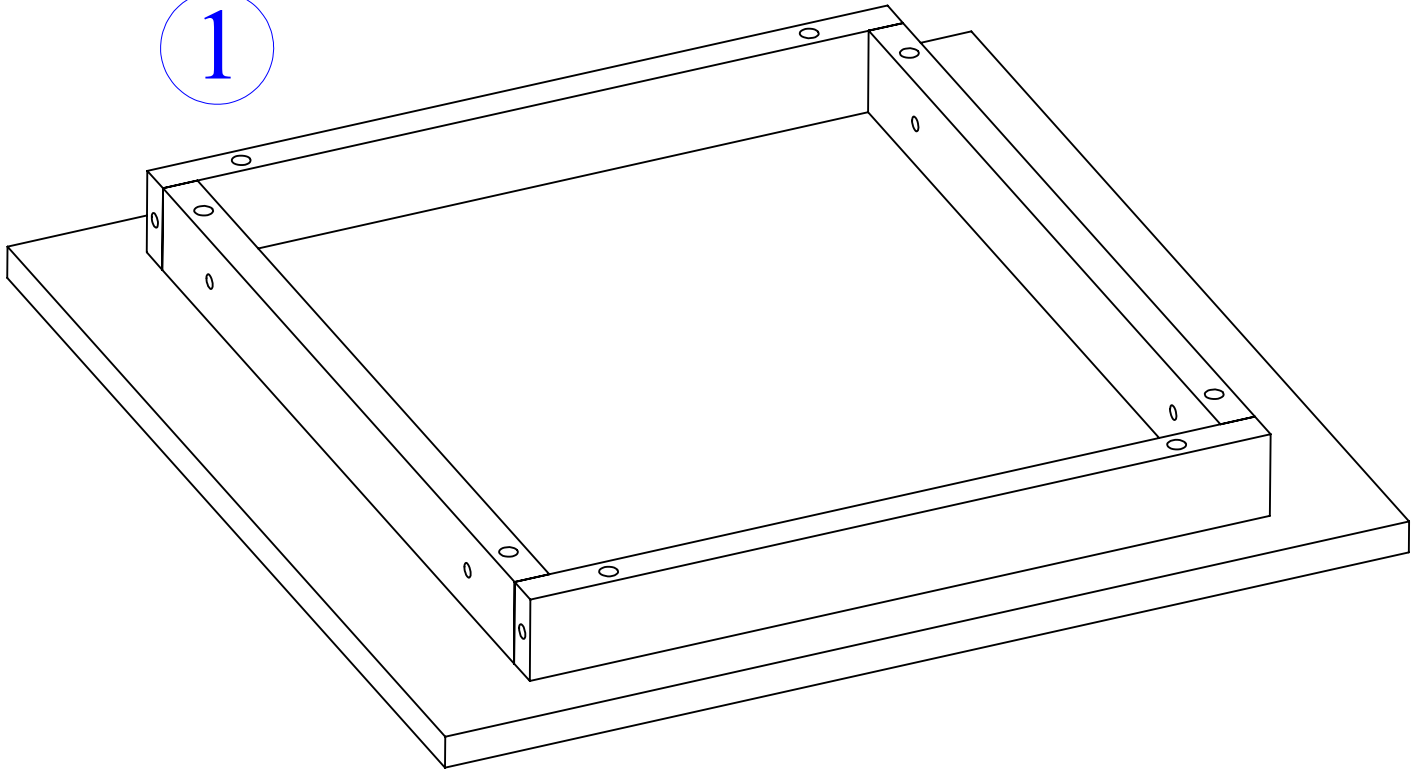
**1 PC**

**E**

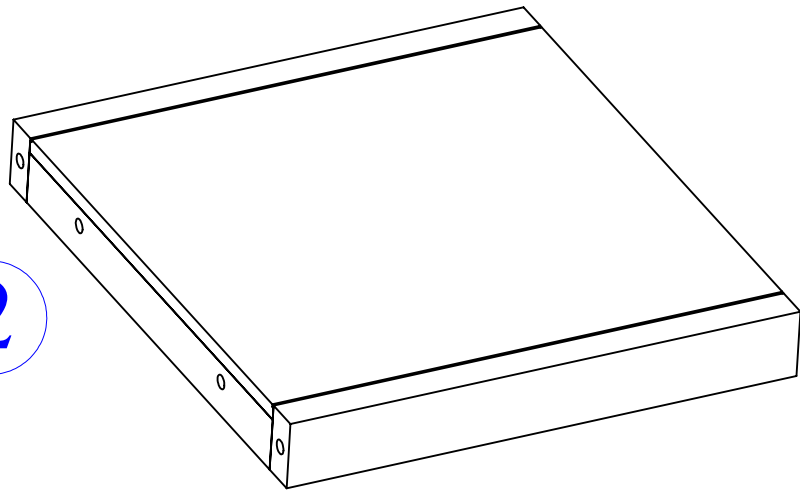


**12 PCS**

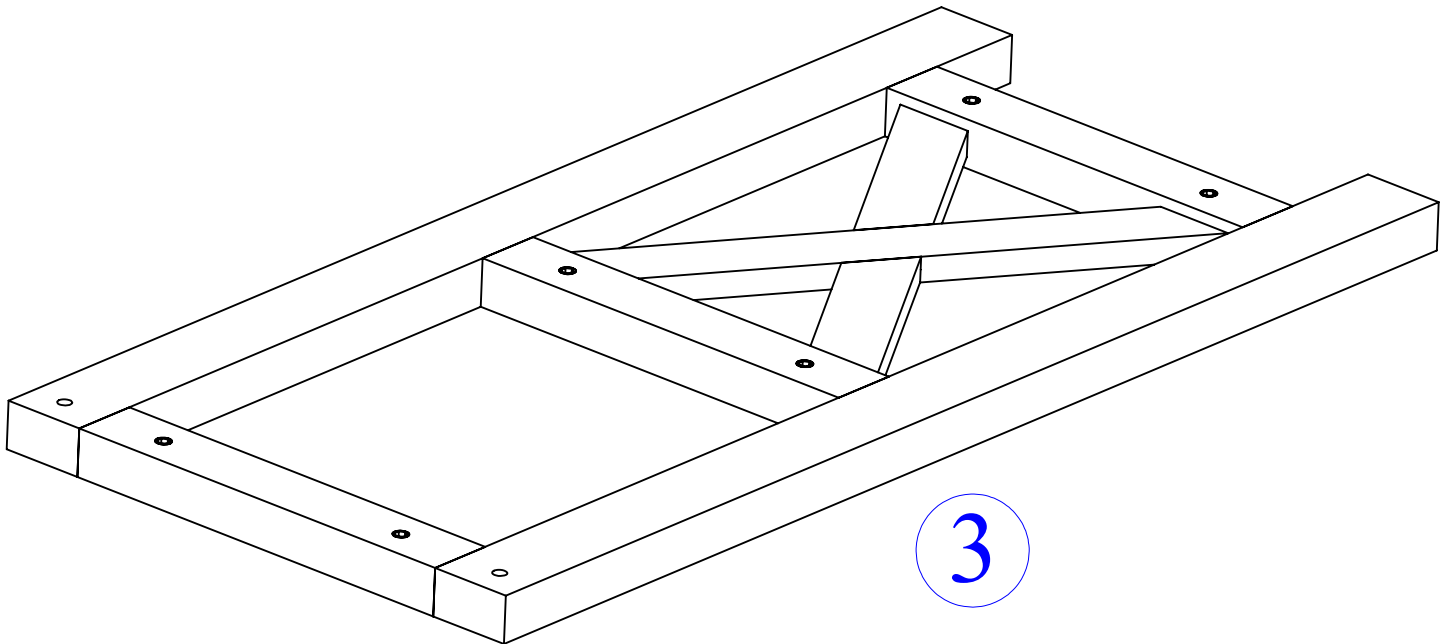
1



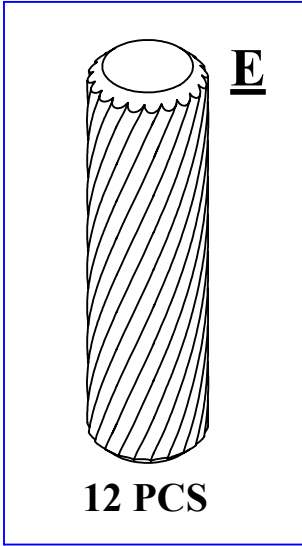
2



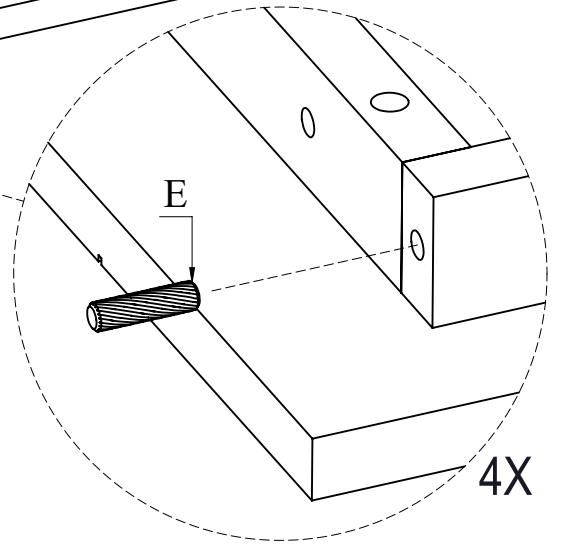
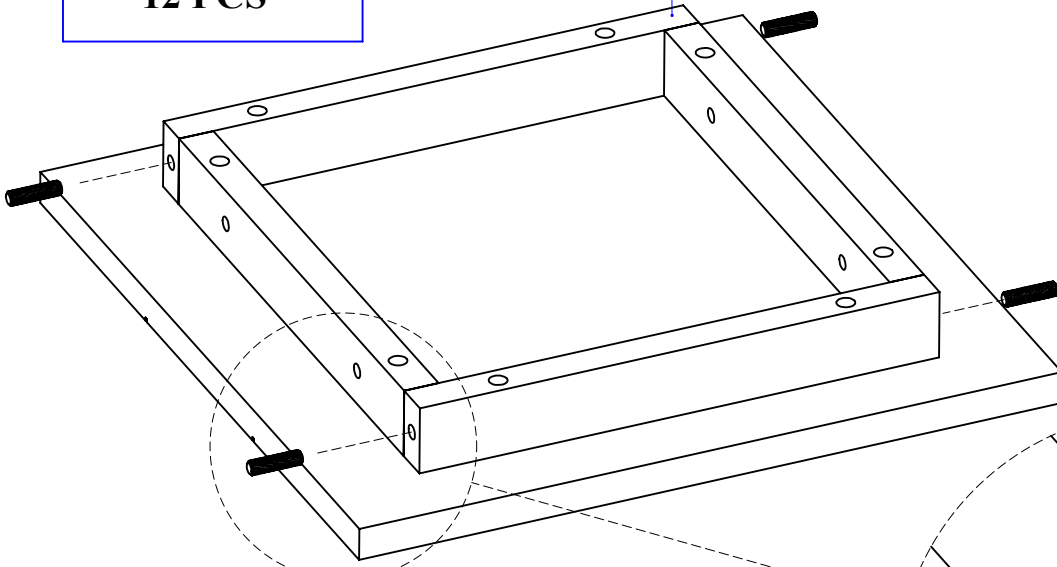
3



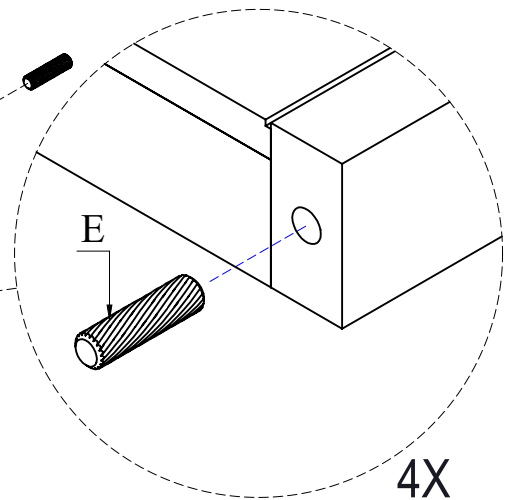
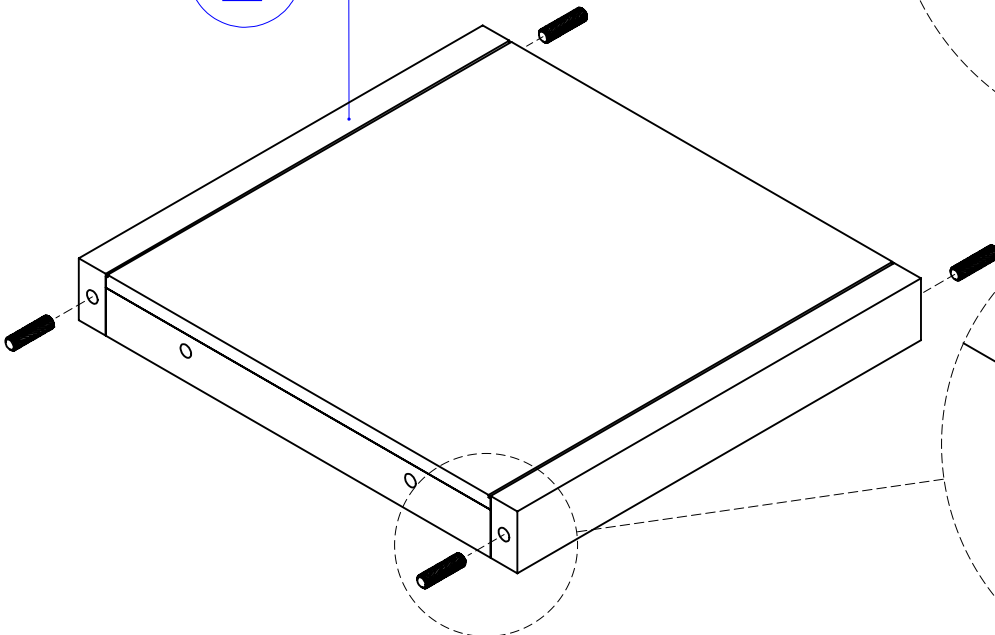
# 01



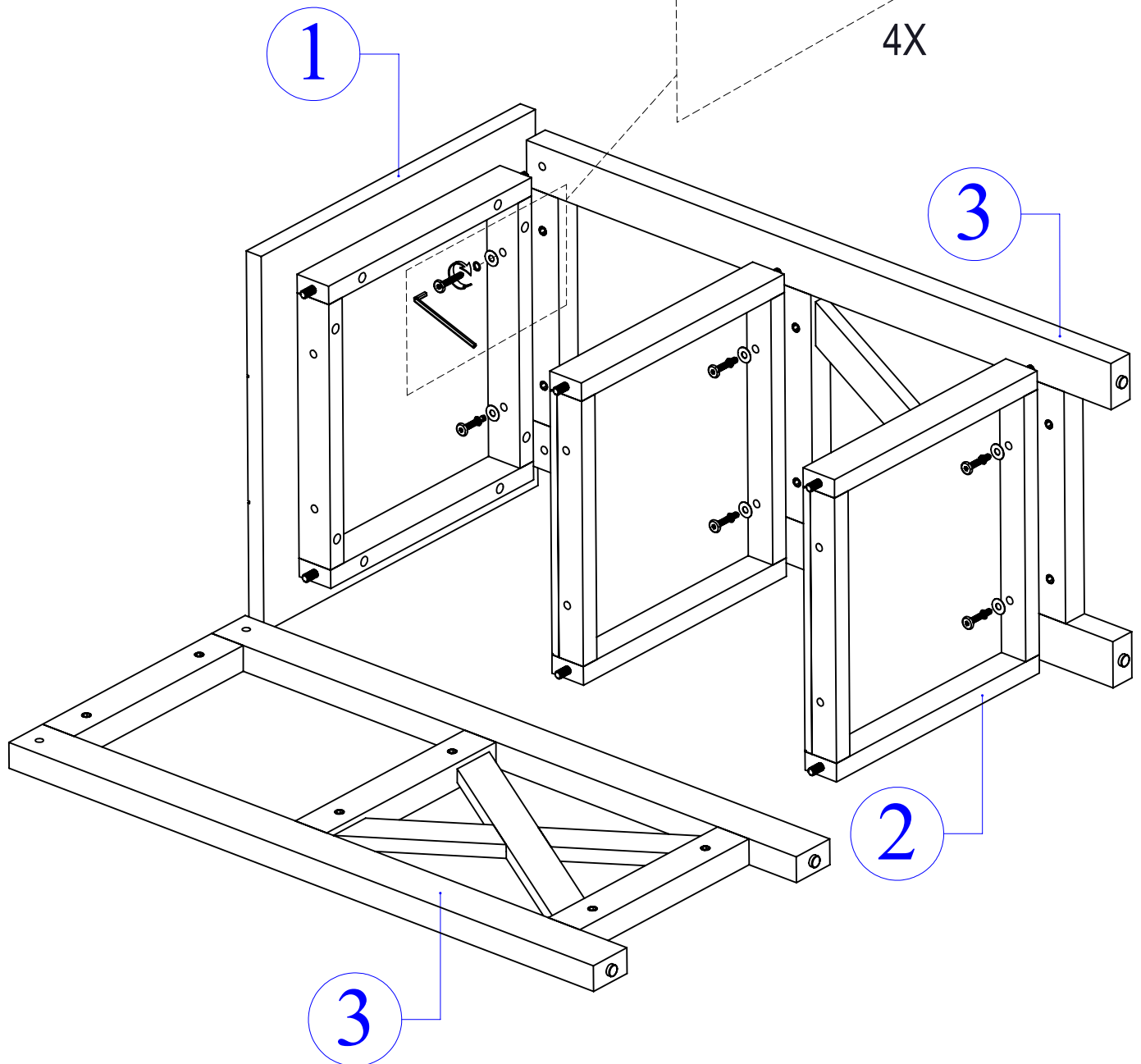
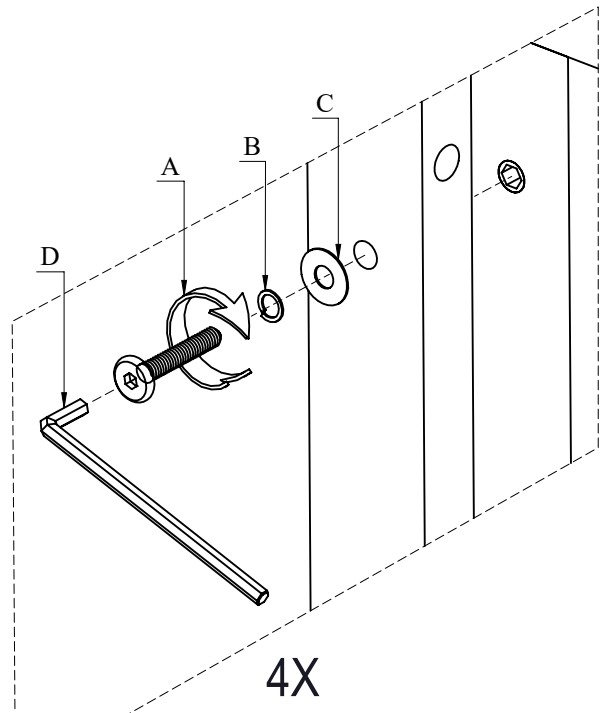
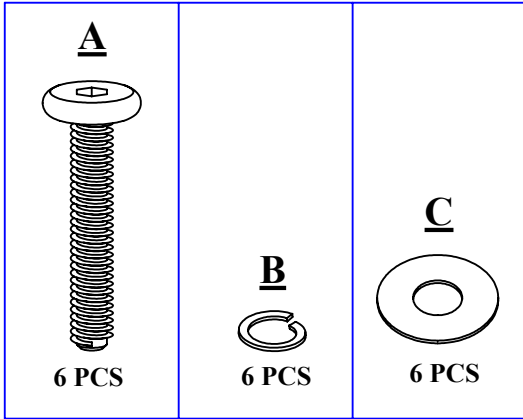
**1**



**2**



# 02



# 03

