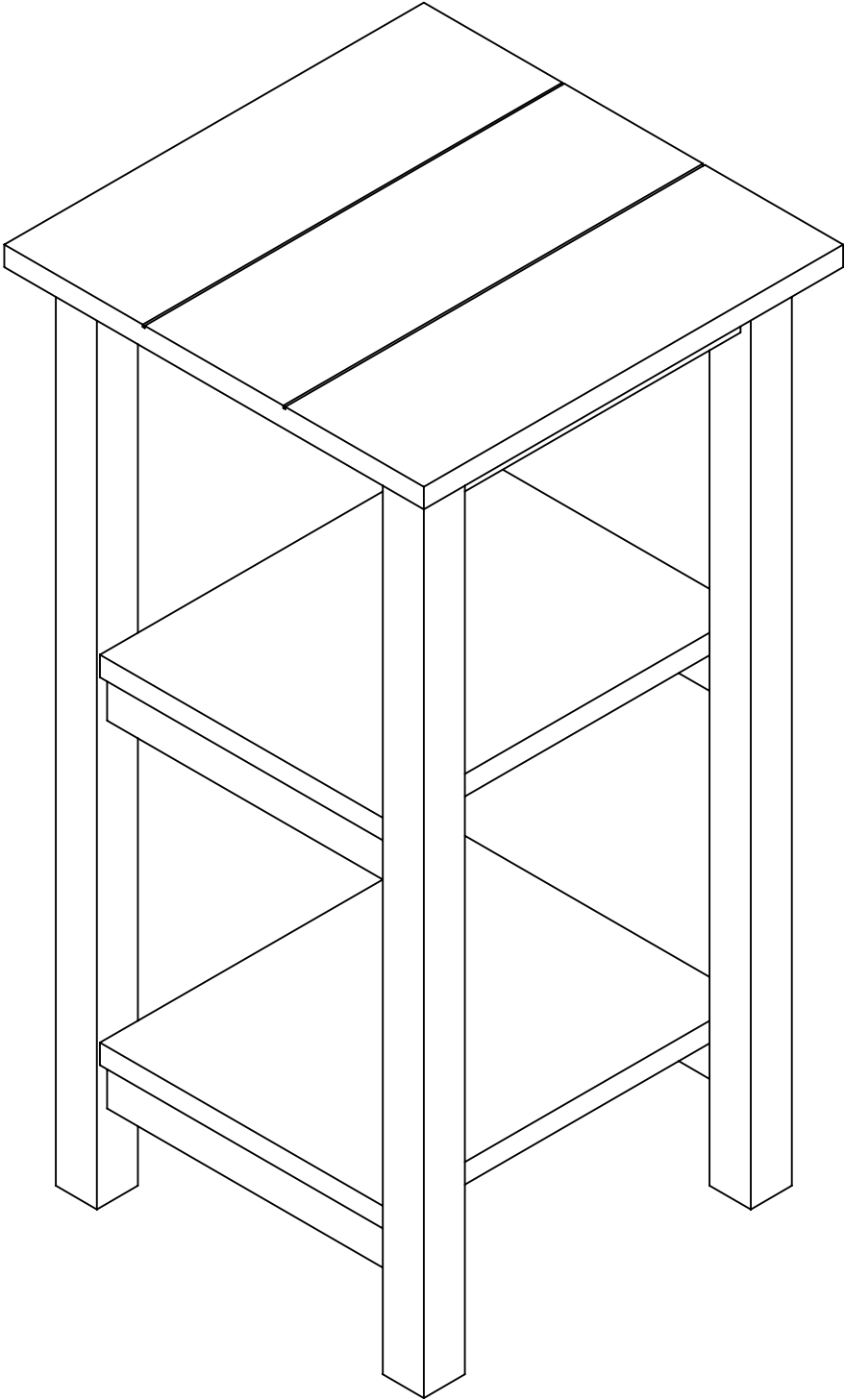




Boraam Industries
LANDRY BOOKCASE
ASSEMBLY INSTRUCTIONS





PLEASE READ ME FIRST



- Have questions about assembling your item?



- Item or parts damaged?



- Missing a part?



- We're here to help!



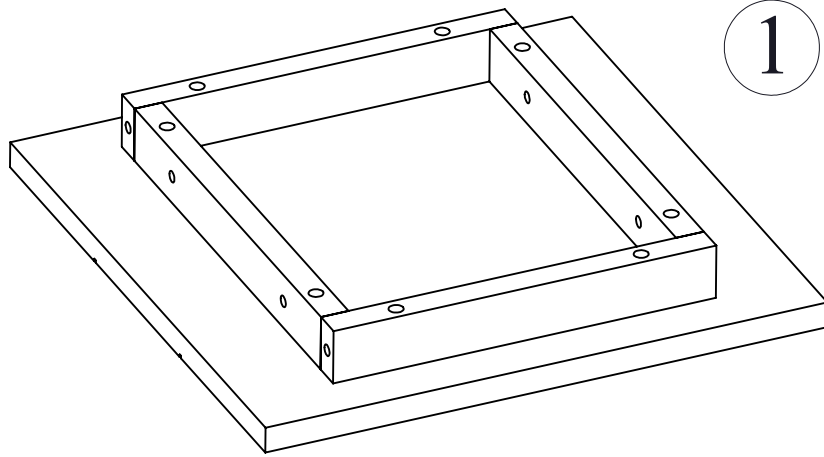
(847)949-6300 (M-F, 9am-5pm CST)



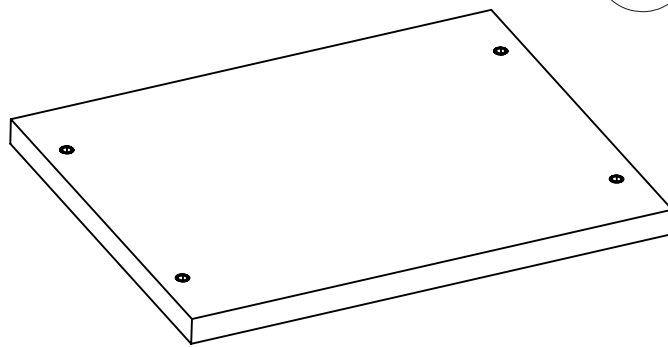
www.boraamindustries.com



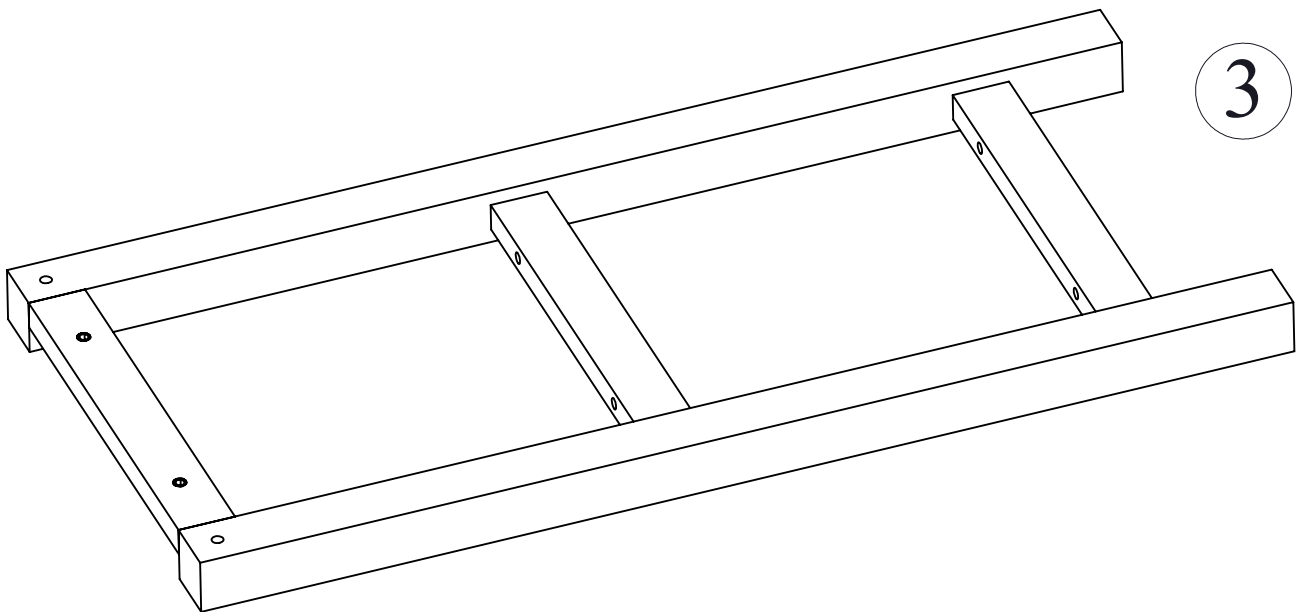
customerservice@boraamindustries.com



1

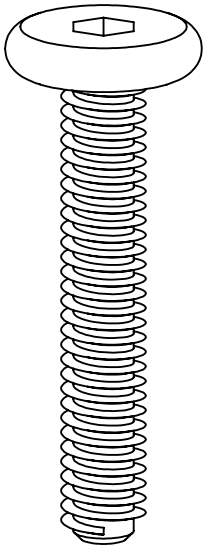


2



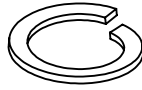
3

A



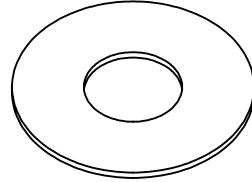
12 PCS

B



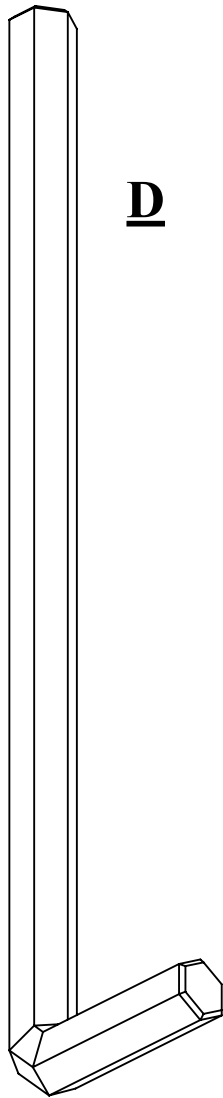
4 PCS

C



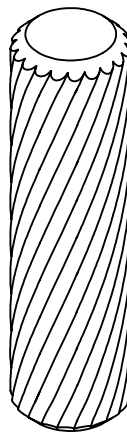
4 PCS

D



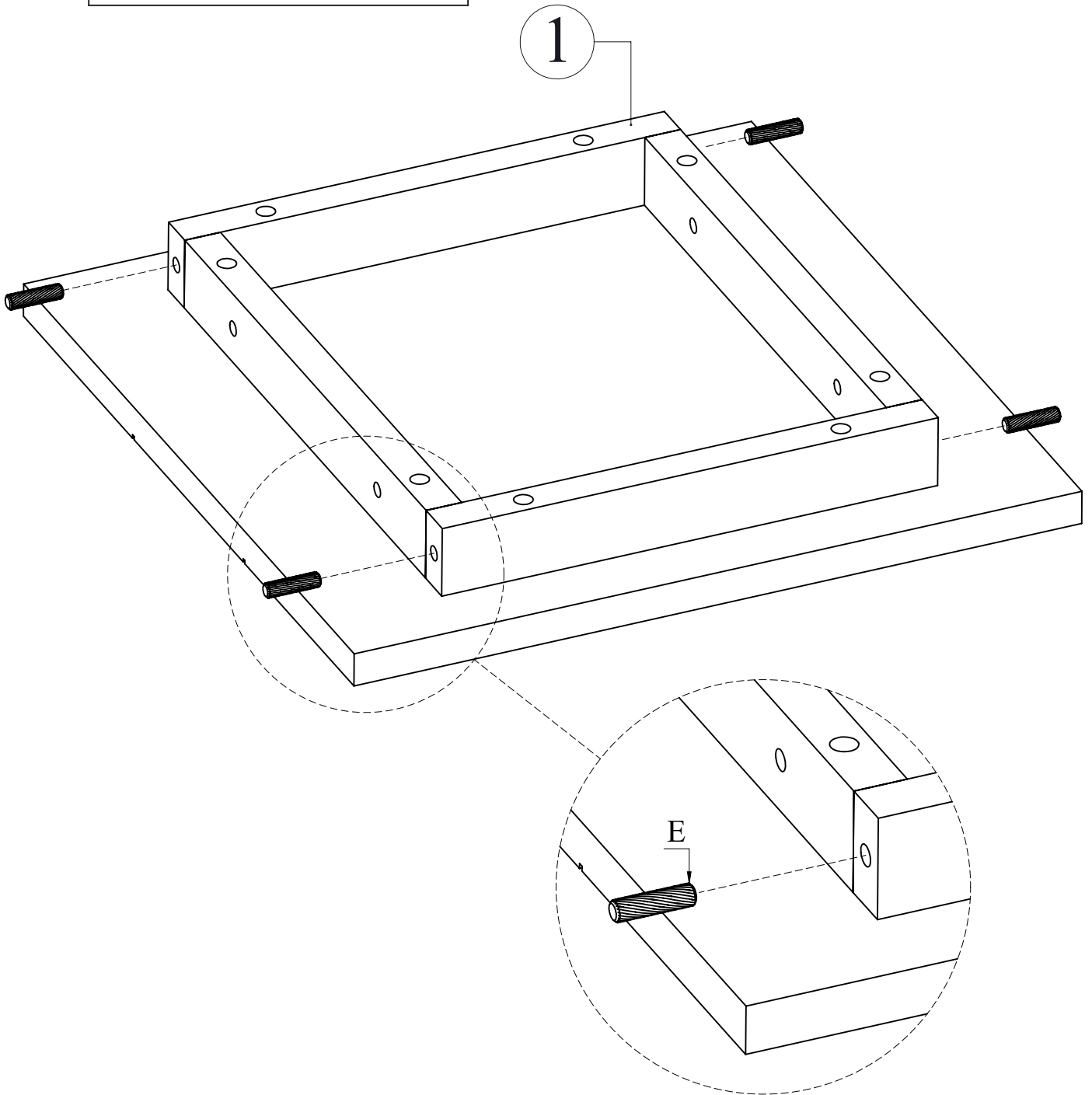
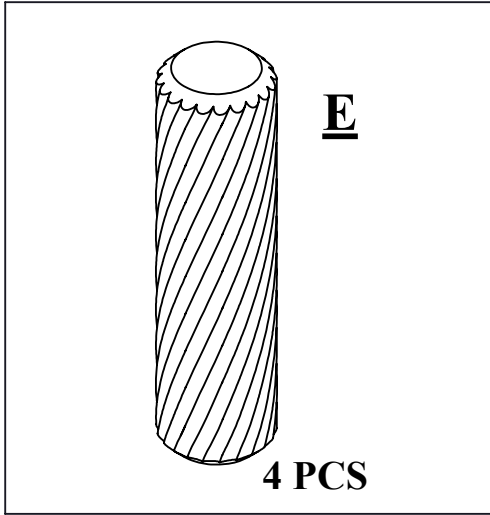
1 PC

E

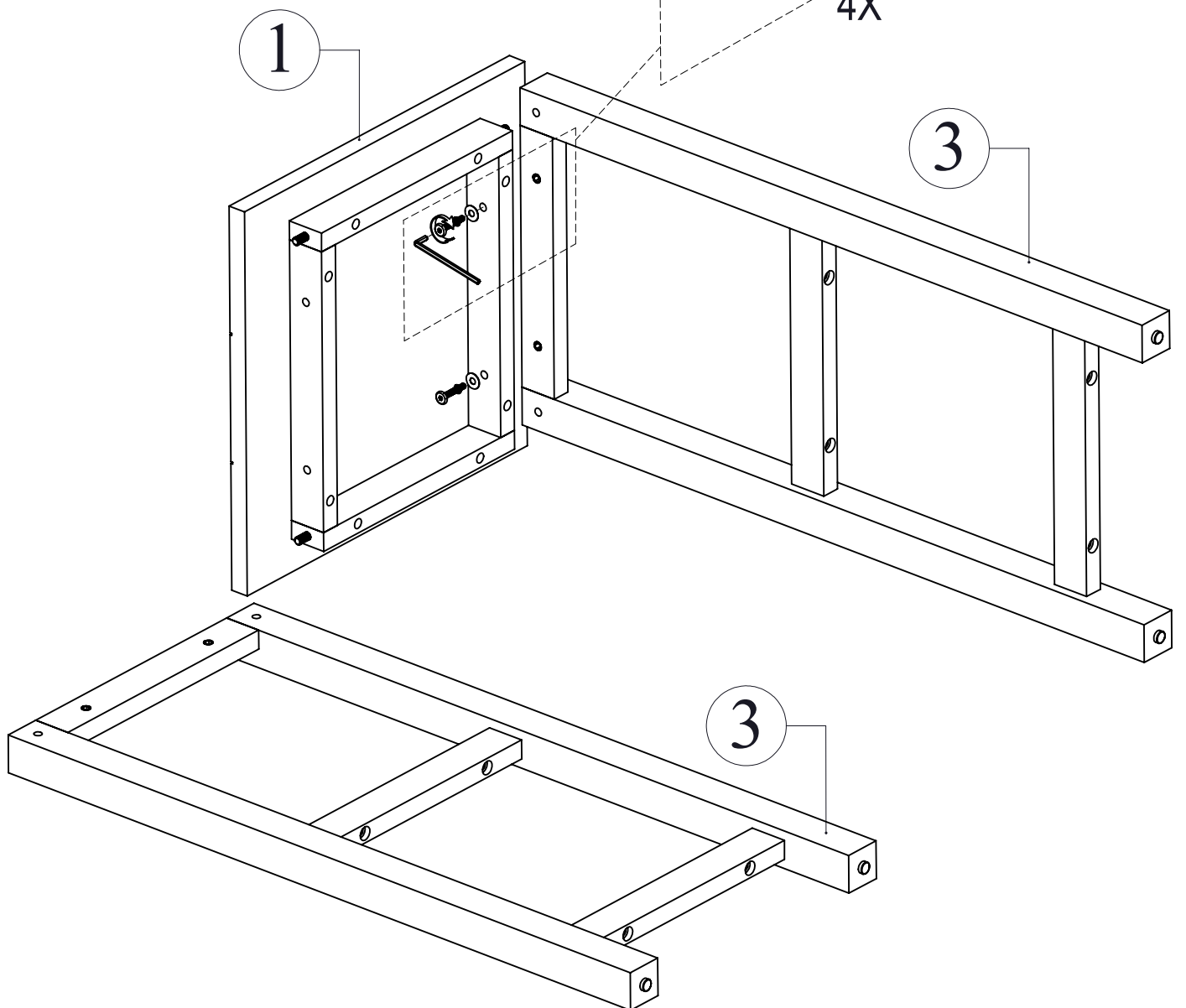
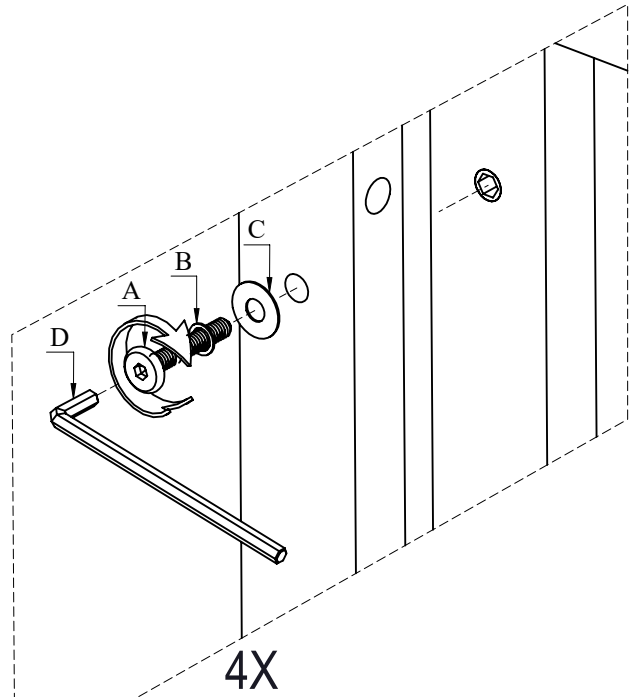
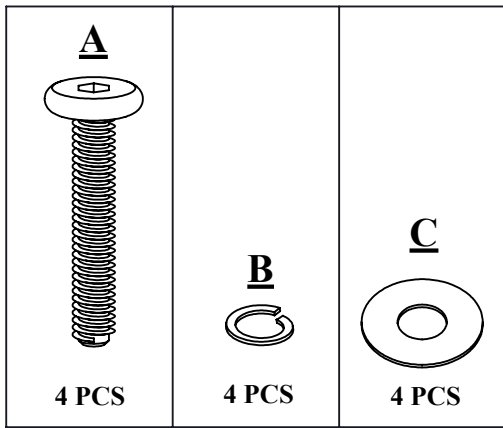


4 PCS

01



02



03

