

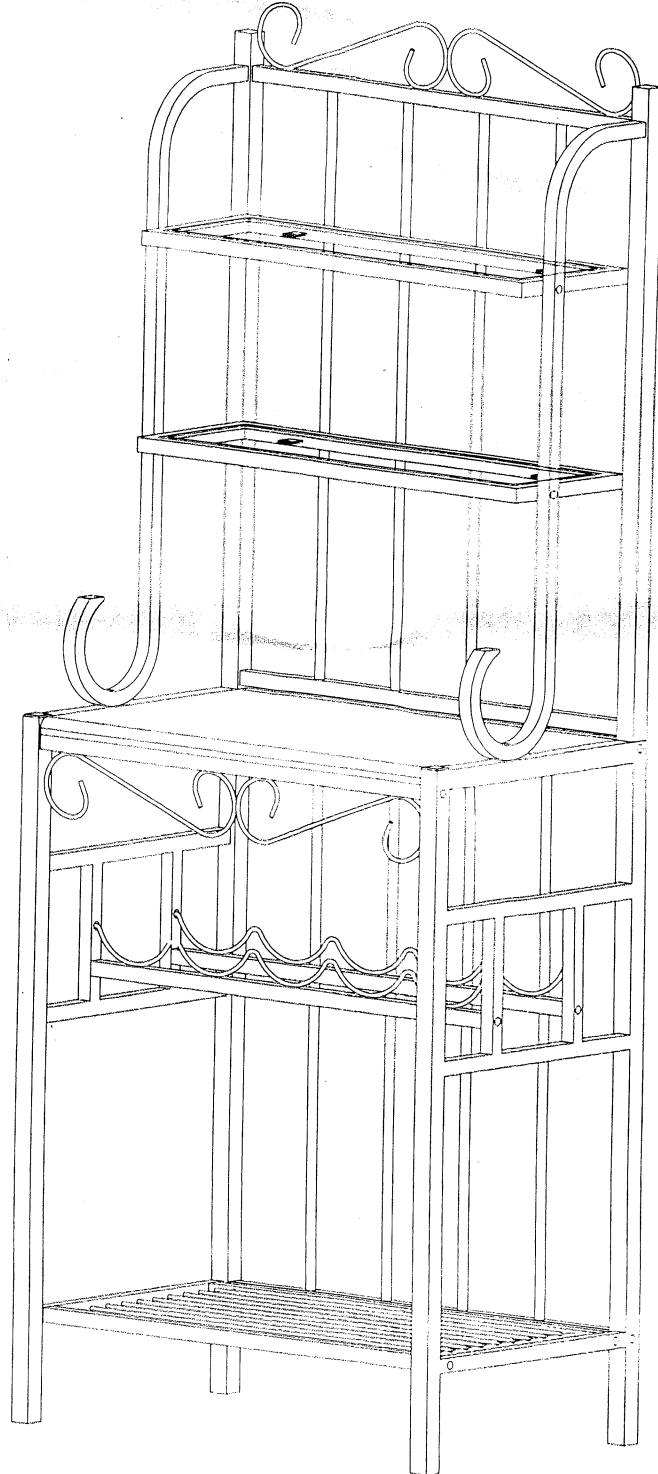
12503



Boraam Industries

PRAHA BAKER'S RACK

ASSEMBLY INSTRUCTIONS





PLEASE READ ME FIRST



- Have questions about assembling your item?



- Item or parts damaged?



- Missing a part?



- We're here to help!



(847)949-6300 (M-F, 9am-5pm CST)

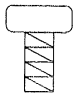


www.boraamindustries.com



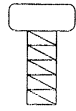
customerservice@boraamindustries.com

A



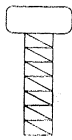
6PCS

B



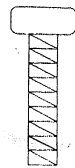
4PCS

C



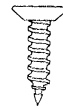
10PCS

D



8PCS

E



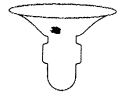
4PCS

F

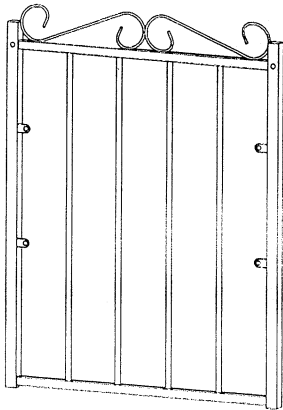


1PC

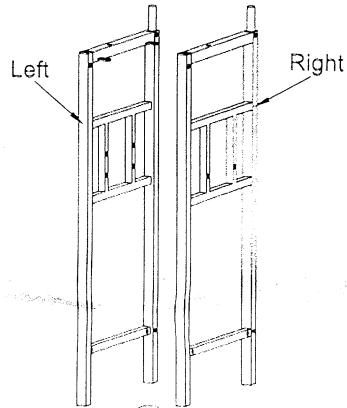
G



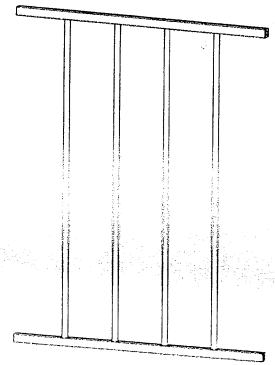
8PCS



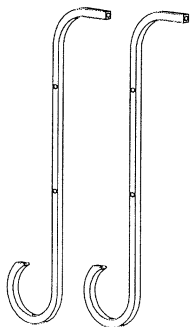
①



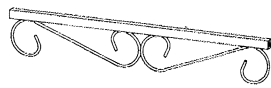
②



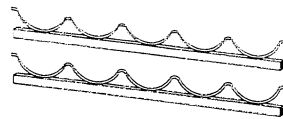
③



④



⑤



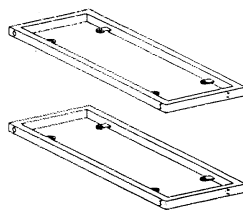
⑥



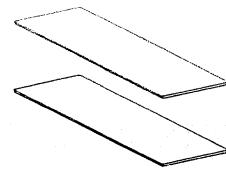
⑦



⑧

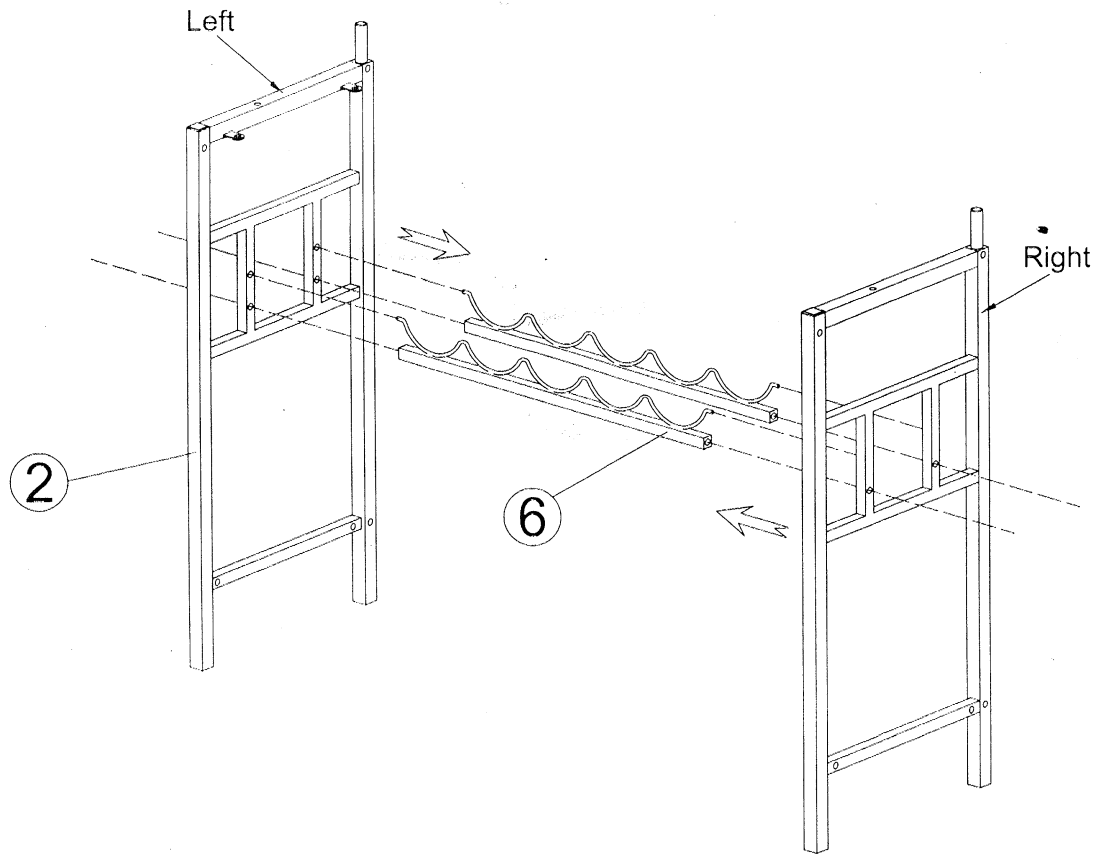


⑨

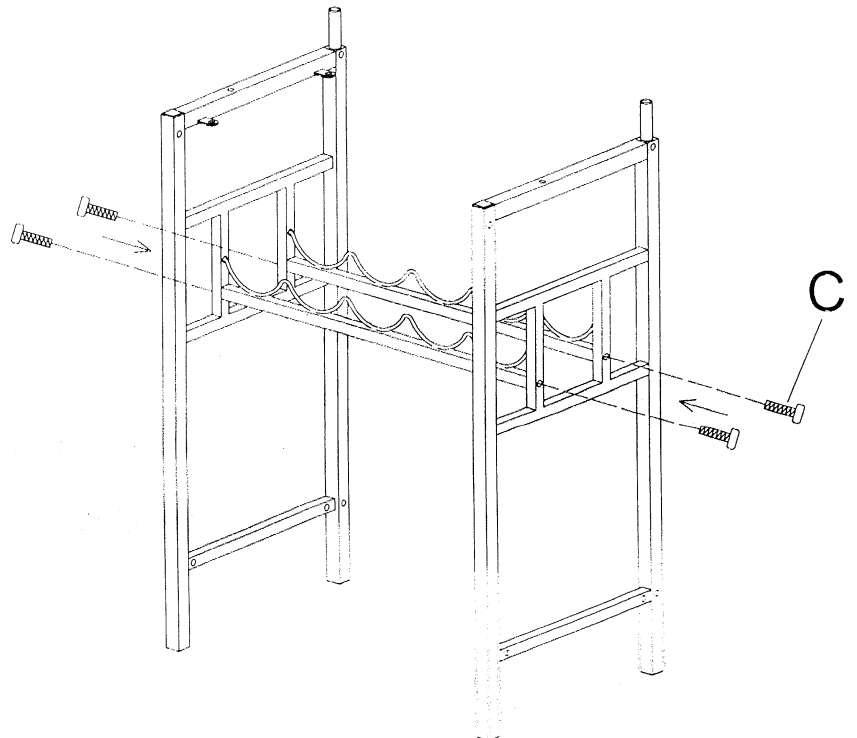
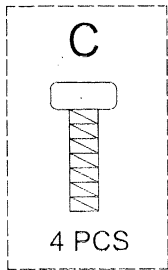


⑩

01

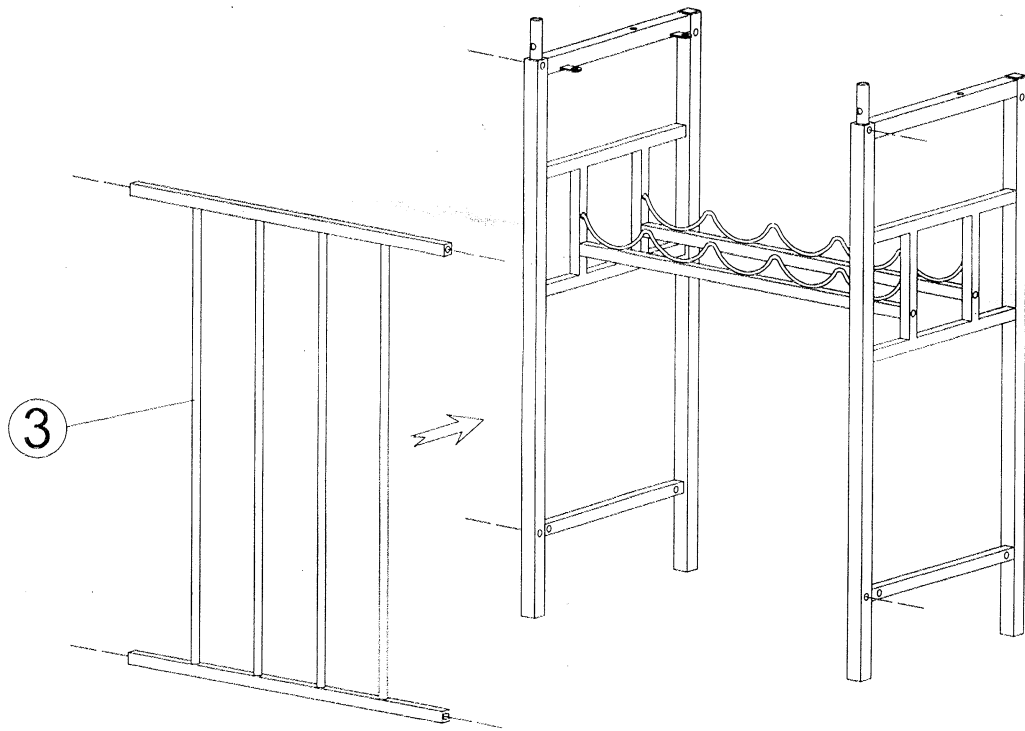


02

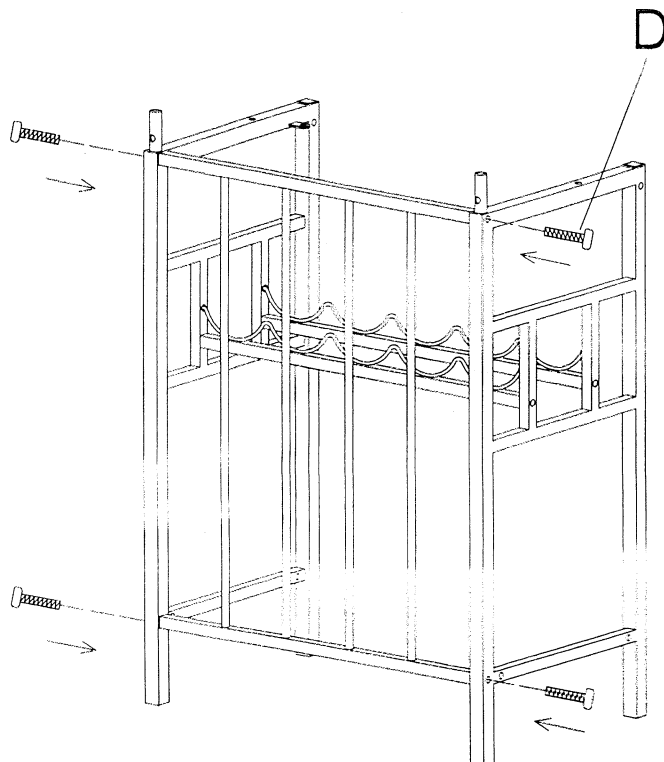
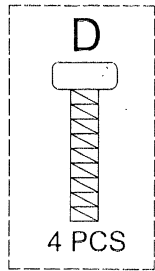


DO NOT TIGHTEN
BOLT COMPLETELY

03

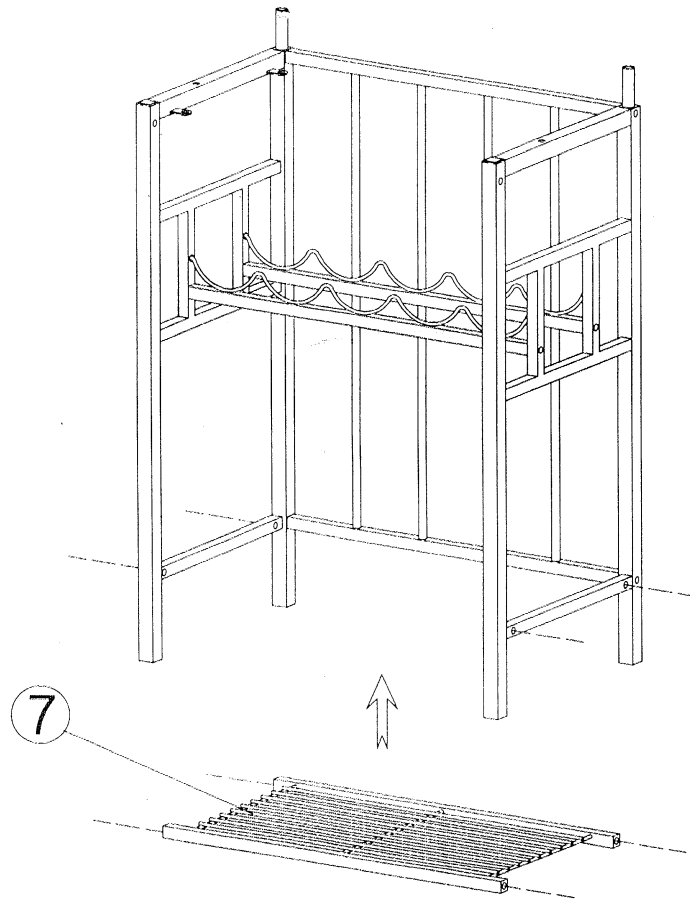


04

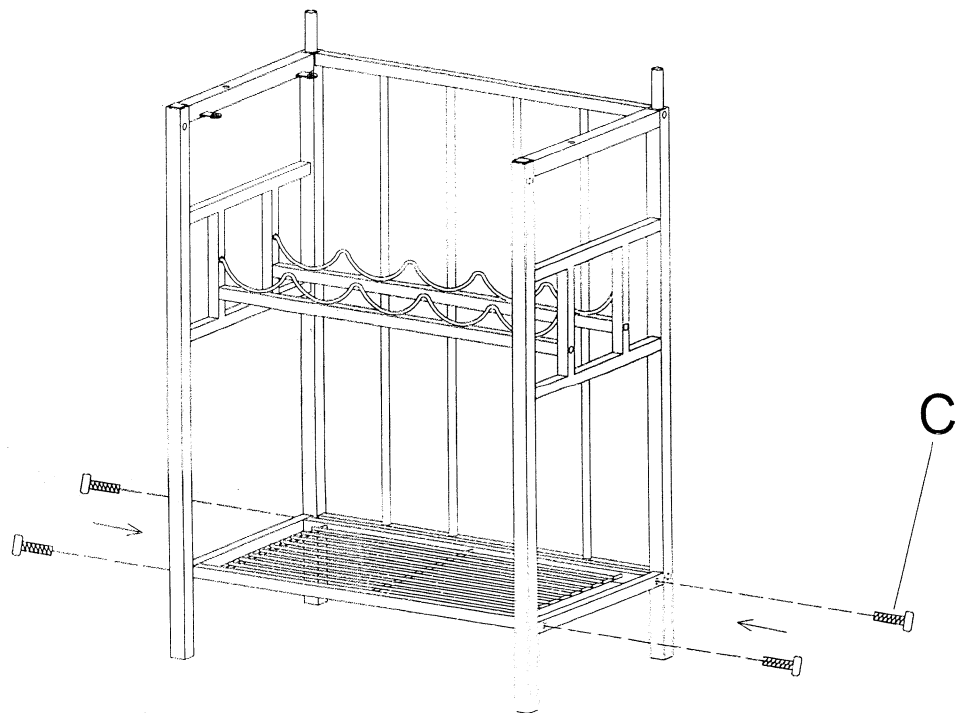
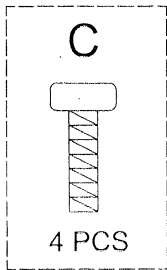


DO NOT TIGHTEN
BOLT COMPLETELY

05

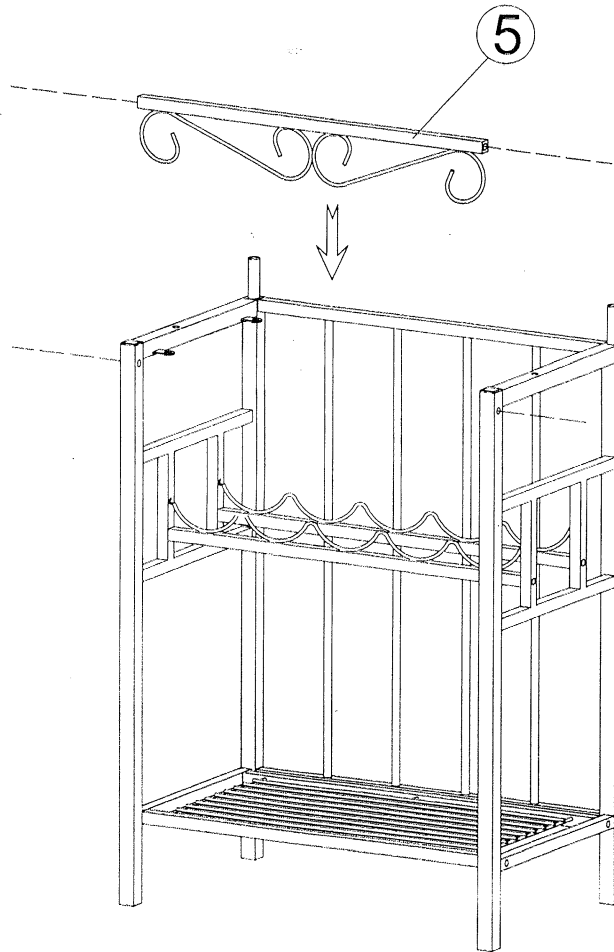


06

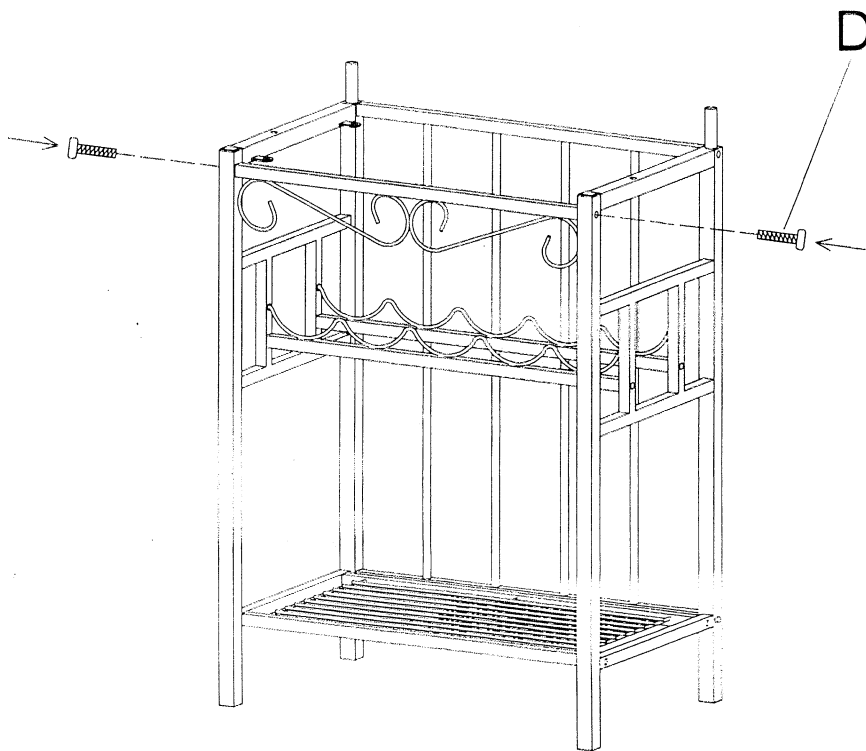
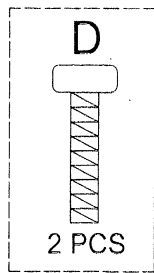


DO NOT TIGHTEN
BOLT COMPLETELY

07

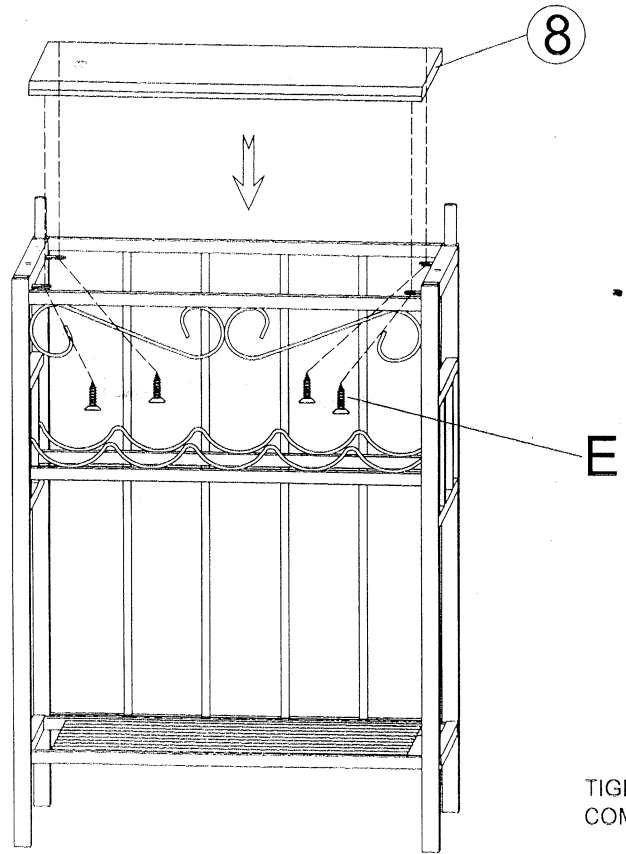
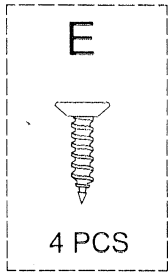


08

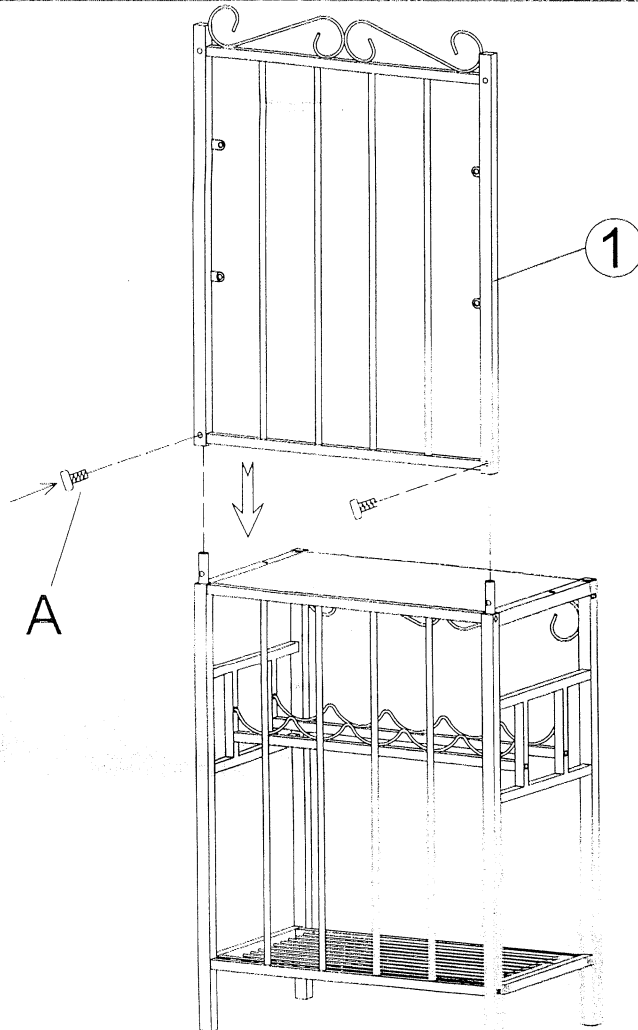
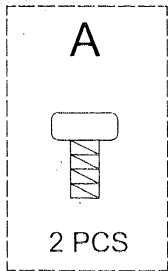


DO NOT TIGHTEN

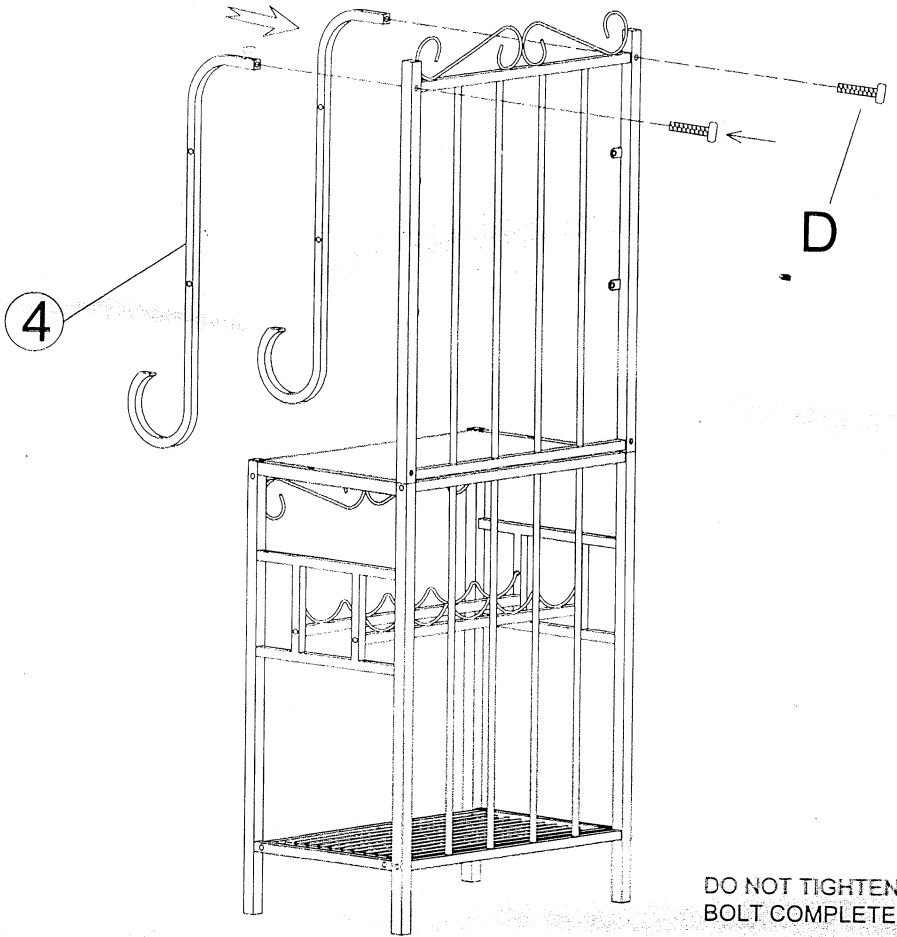
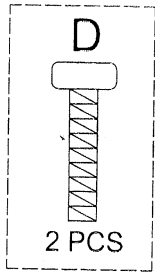
09



10

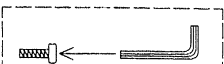
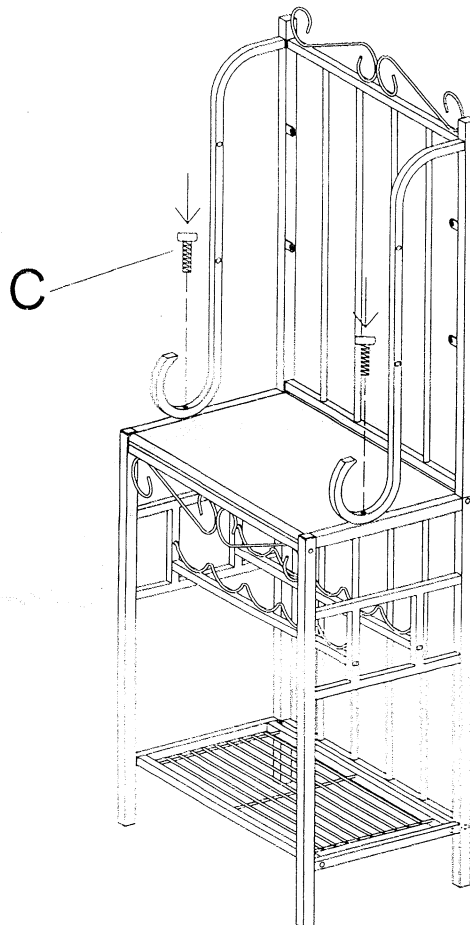
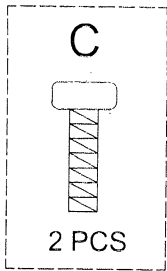


11



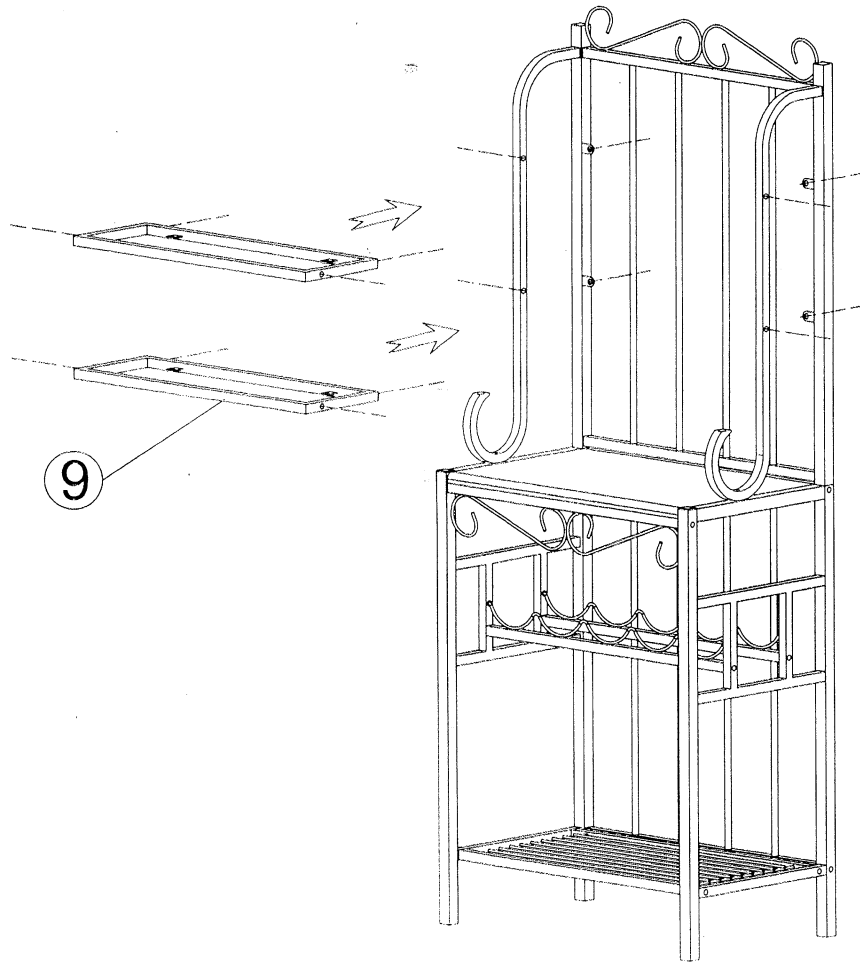
DO NOT TIGHTEN
BOLT COMPLETELY

12

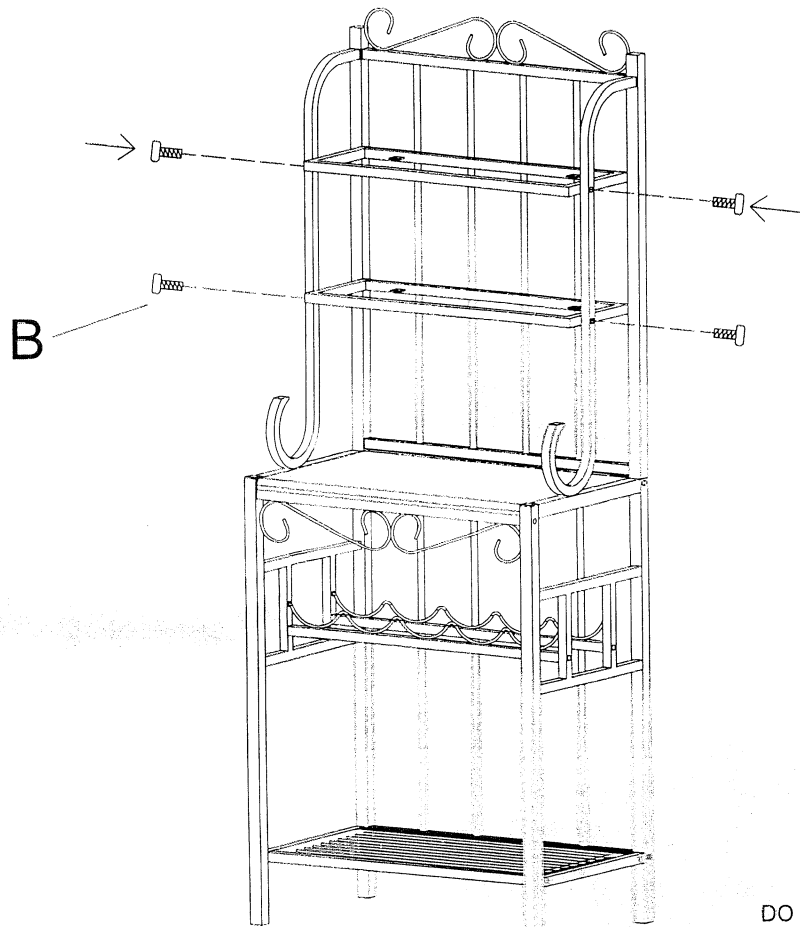
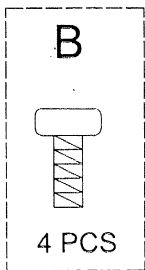


DO NOT TIGHTEN
BOLT COMPLETELY

13

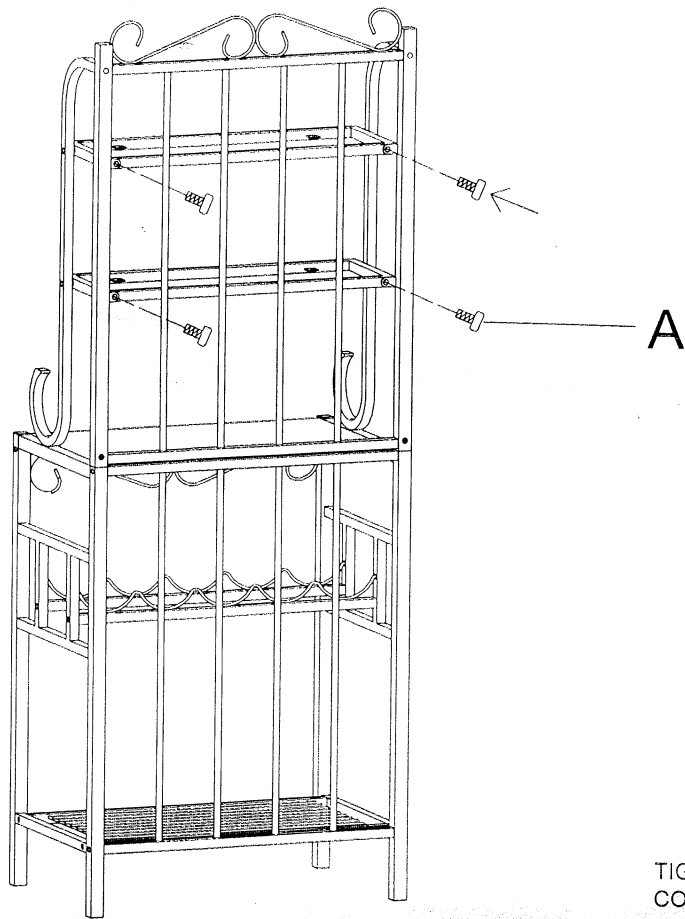
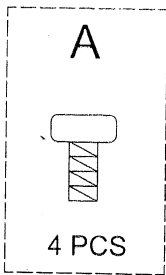


14

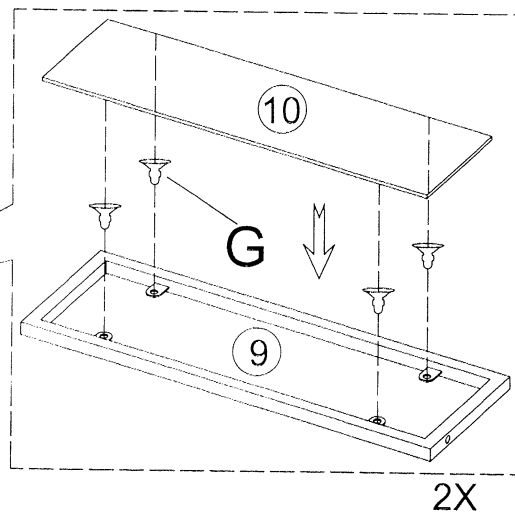
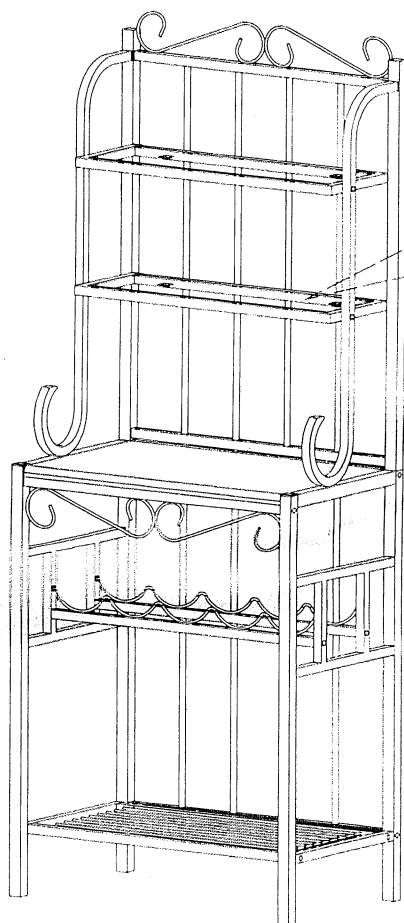
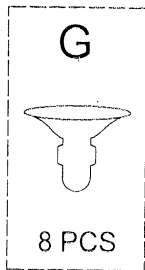


DO NOT TIGHTEN

15



16



BE SURE TO CHECK ALL BOLTS
ARE SECURELY TIGHTENED
PRIOR USING THIS ITEM