



# HAMPTON KITCHEN ISLAND

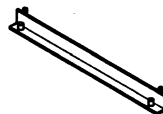
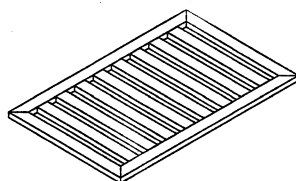
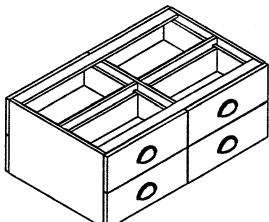
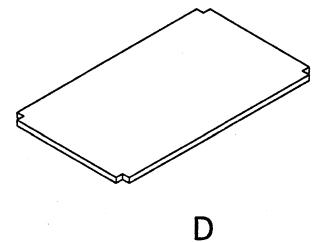
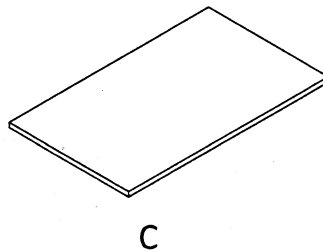
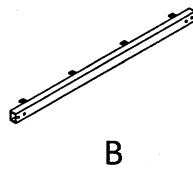
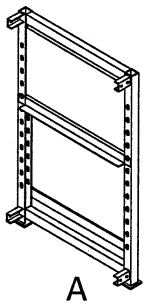
## Assembly Instructions

### 18116

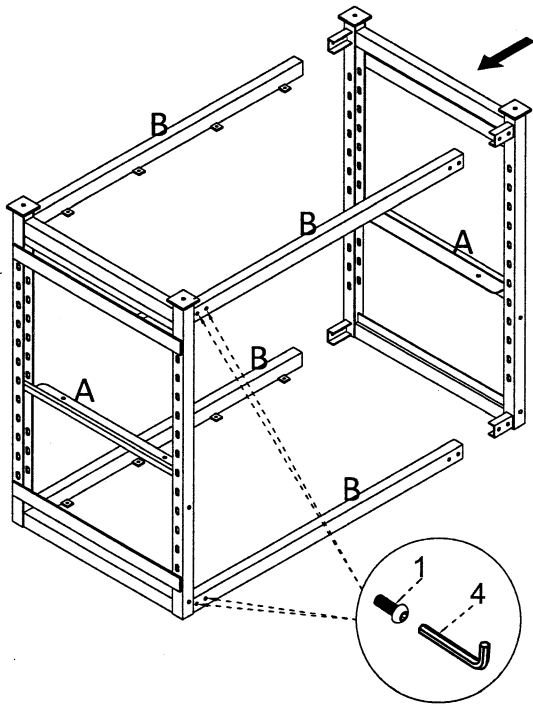
- . Tools Included
- . Do not throw away packaging materials until assembly is complete
- . Assemble this item on a soft, clean surface to protect the product
- . Proper assemble requires 2 people
- . Make sure all parts are included prior to assembling

PART LIST		
ITEM	DESCRIPTION	QTY
A	Metal Frame	2PCS
B	Metal Support	4PCS
C	Top	1PC
D	Bottom	1PC
E	Drawer Chest	1PC
F	Shelf	1PC
G	L Shape Metal	2PCS
H	Wheel with Stopper	2PCS
I	Wheel	2PCS
J	Handle	4PCS

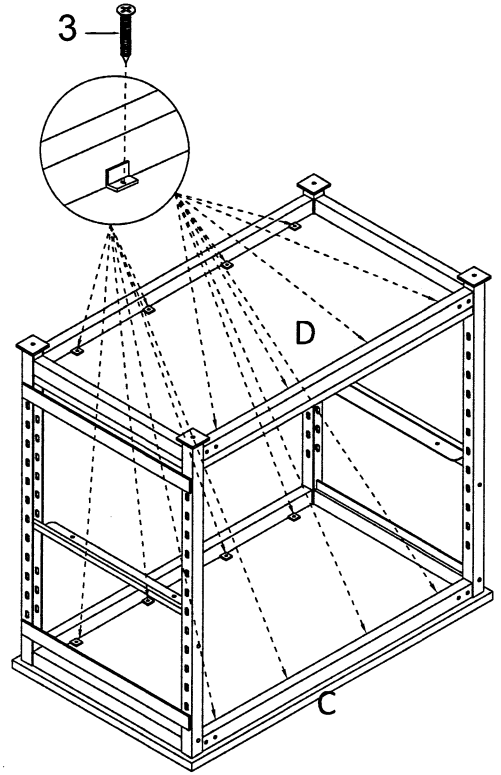
HARDWARE LIST		
ITEM	DESCRIPTION	QTY
1	Screw M8*16MM	20PCS
2	Screw M8*25MM	8PCS
3	Screw M3.5*20MM	16PCS
4	Allen Wrench	1PC



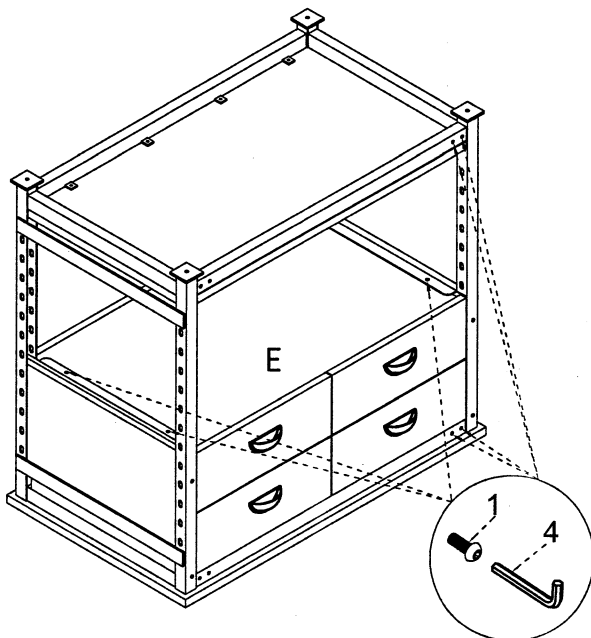
STEP 1



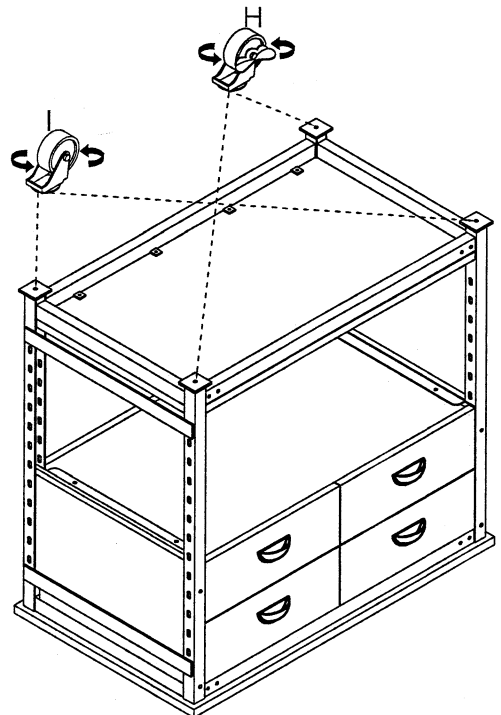
STEP 2



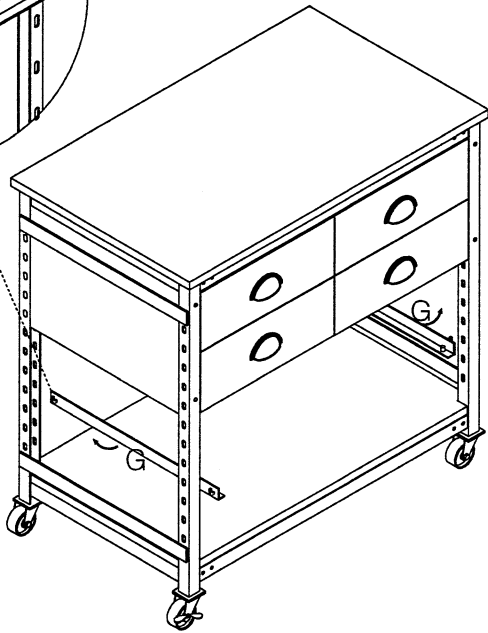
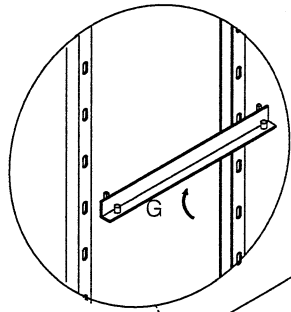
STEP 3



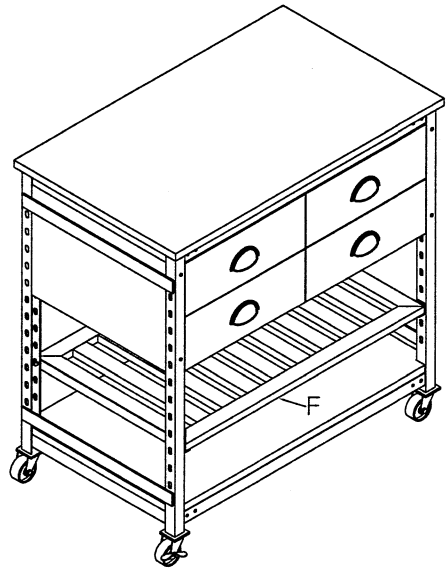
STEP 4



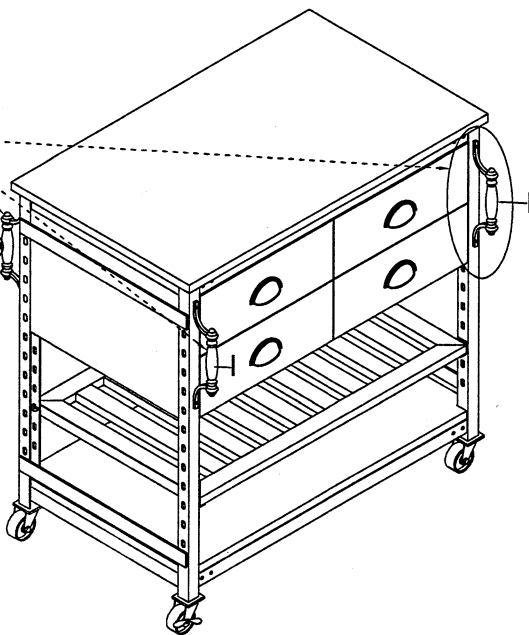
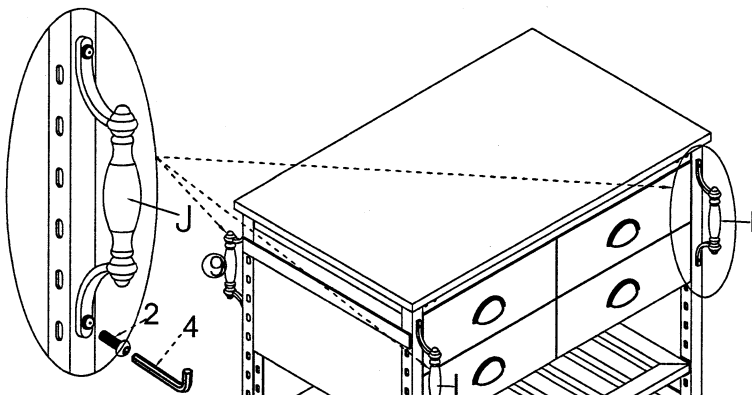
STEP 5



STEP 6



STEP 7



THE END

