

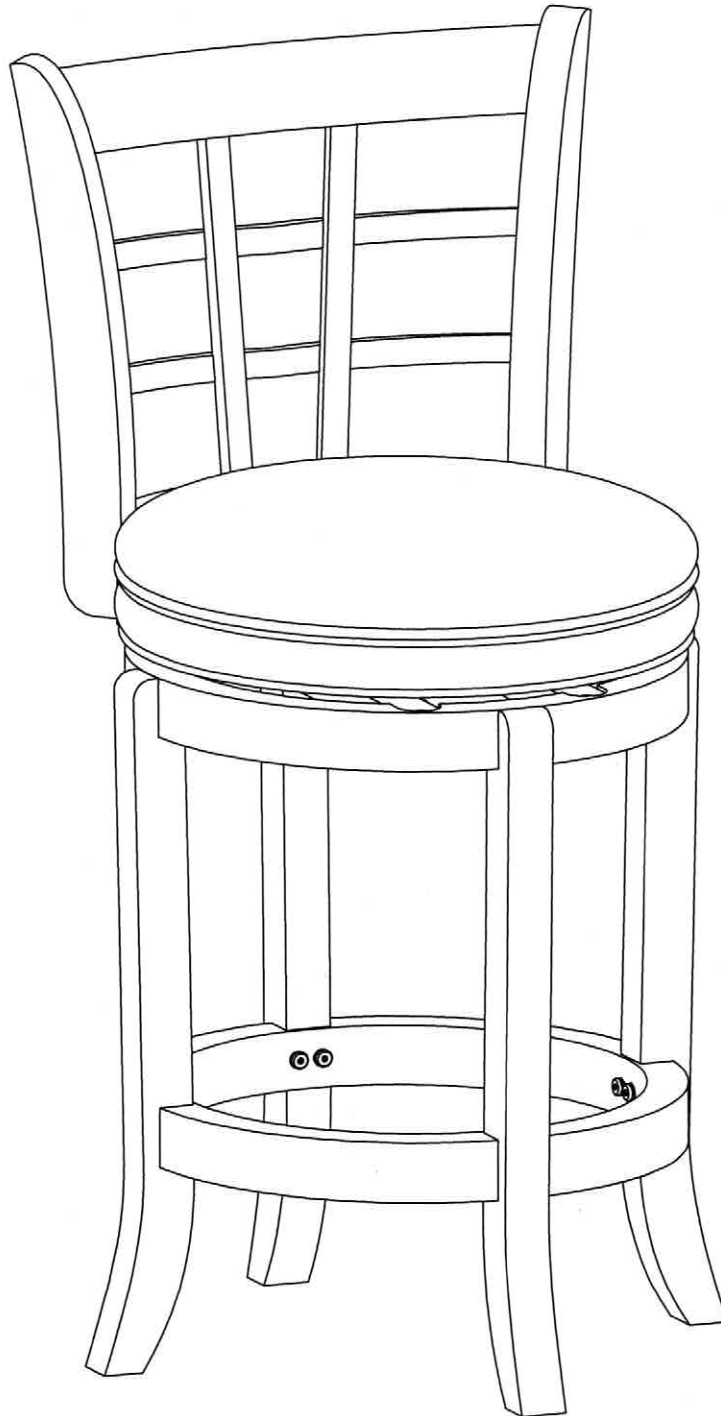
41224, 41229, 45225, 45230



Boraam Industries

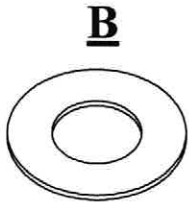
KYOTO SWIVEL STOOL

ASSEMBLY INSTRUCTIONS

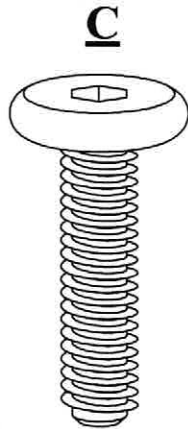




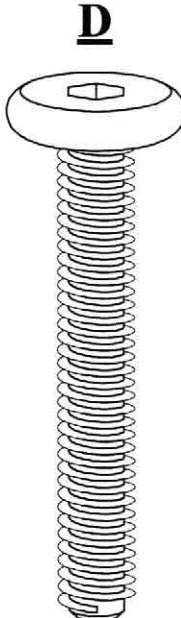
22 PCS



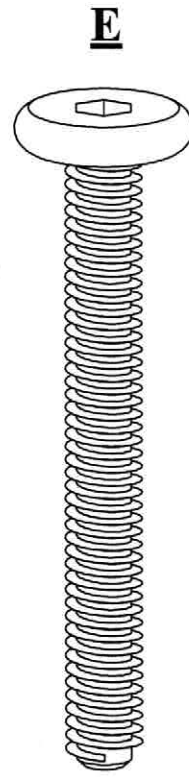
26 PCS



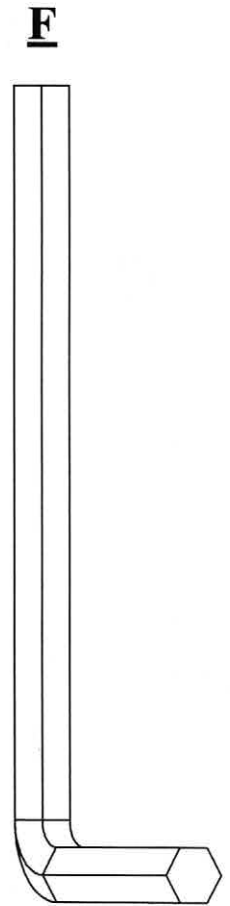
4 PCS



16 PCS

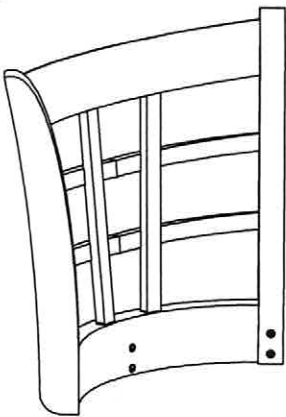


6 PCS

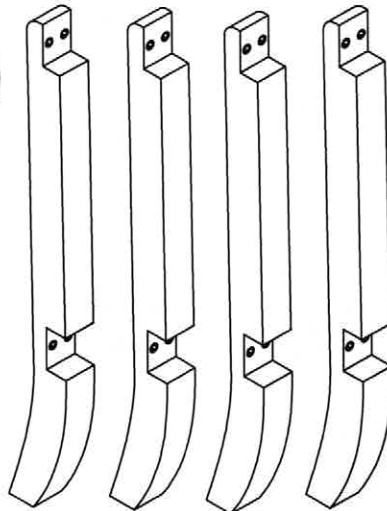


1 PC

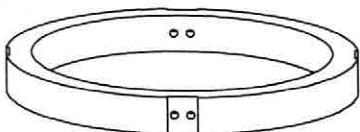
1



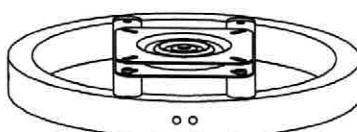
2



3



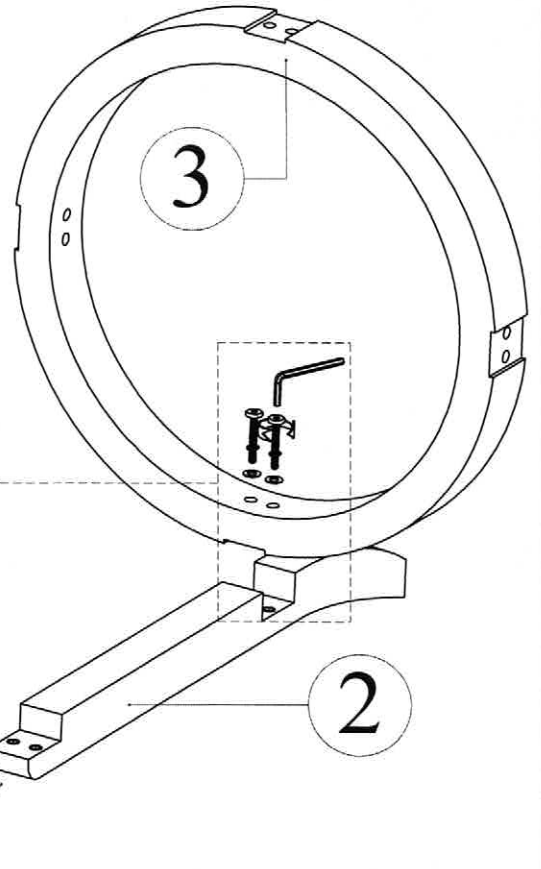
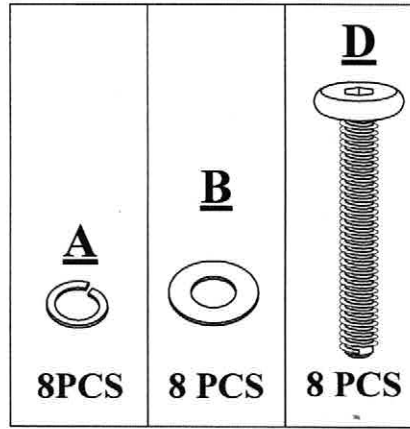
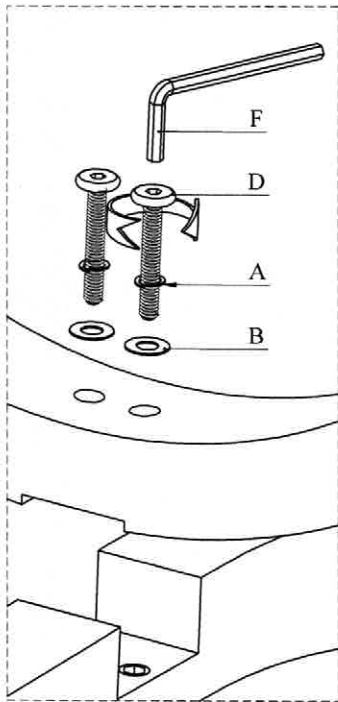
4



5



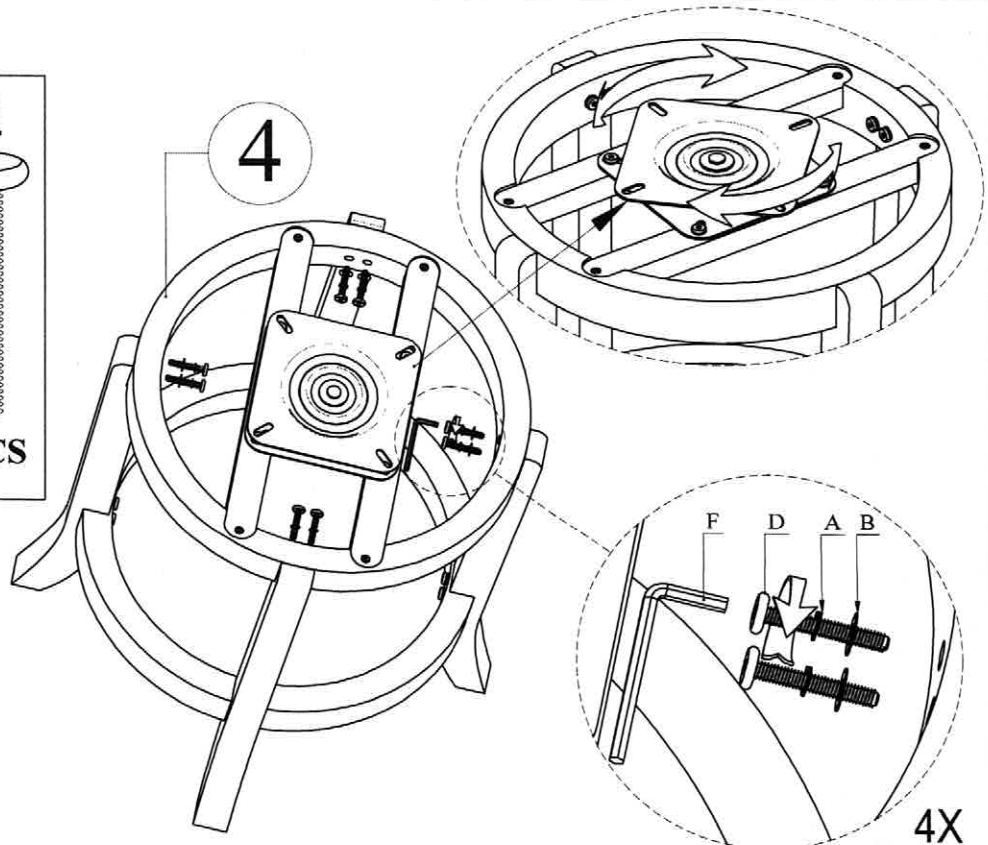
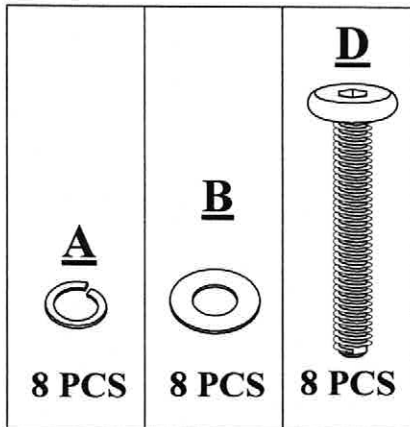
01



4X

DO NOT TIGHTEN BOLT COMPLETELY.




02

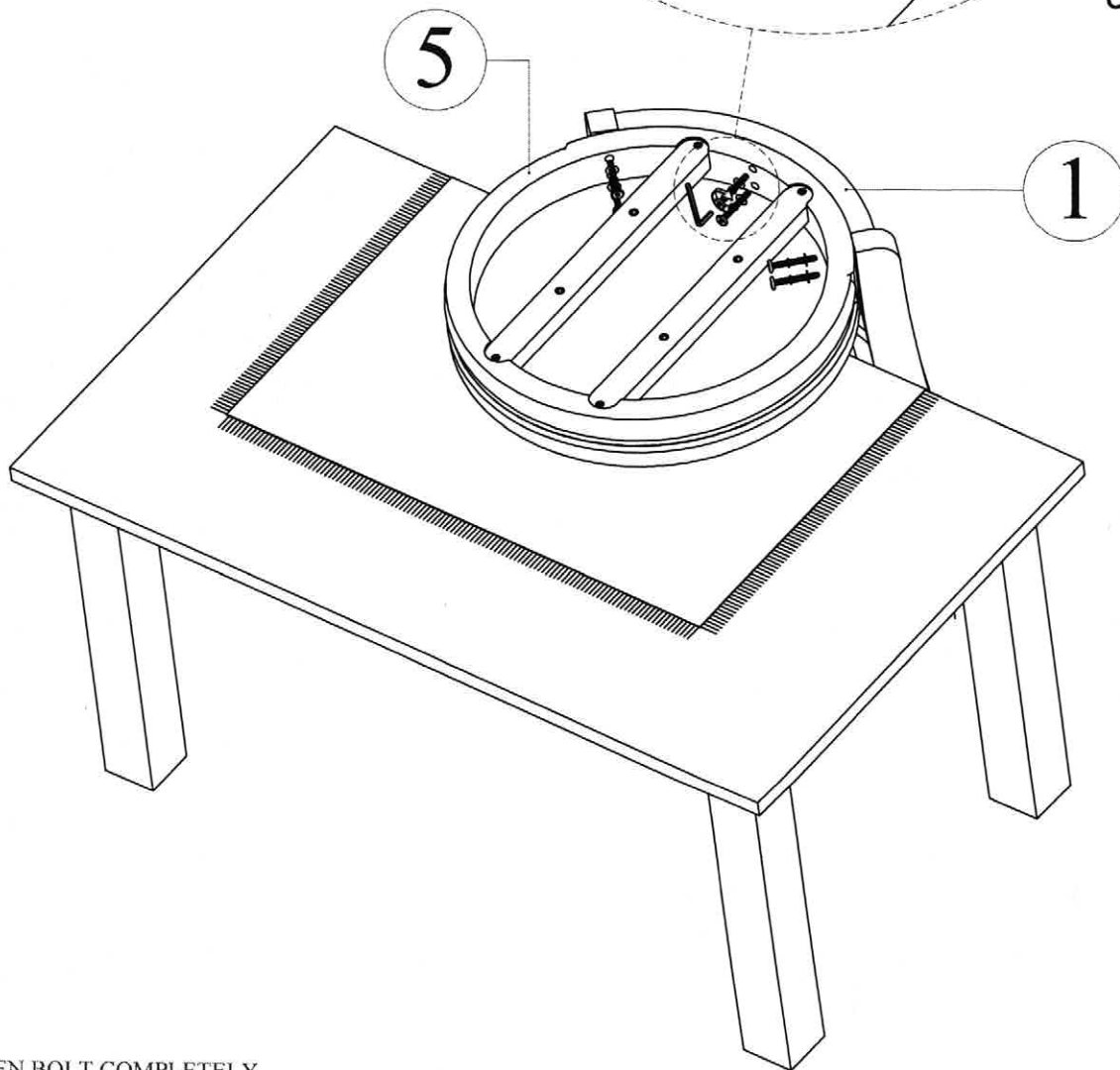
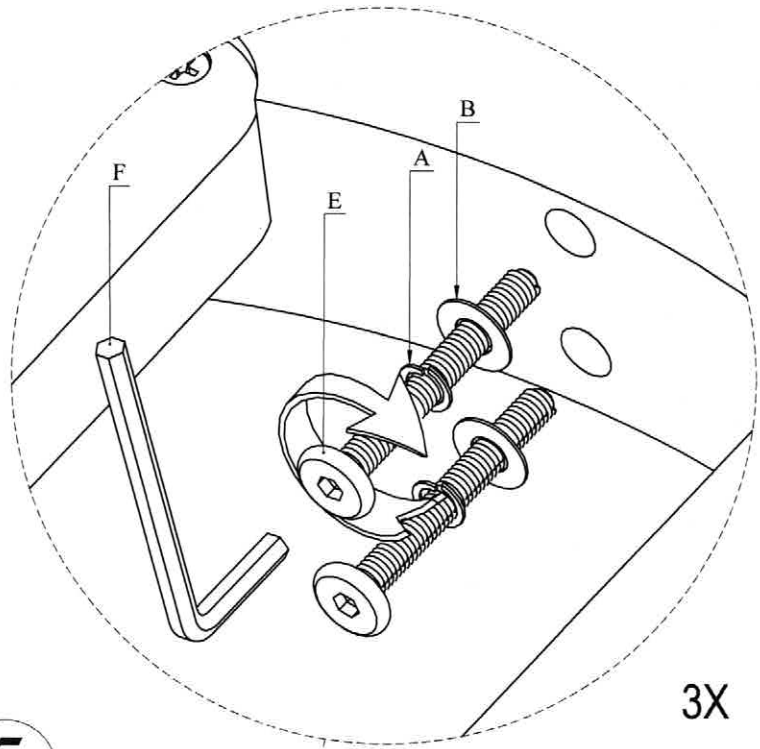


TIGHTEN BOLT COMPLETELY.

4X

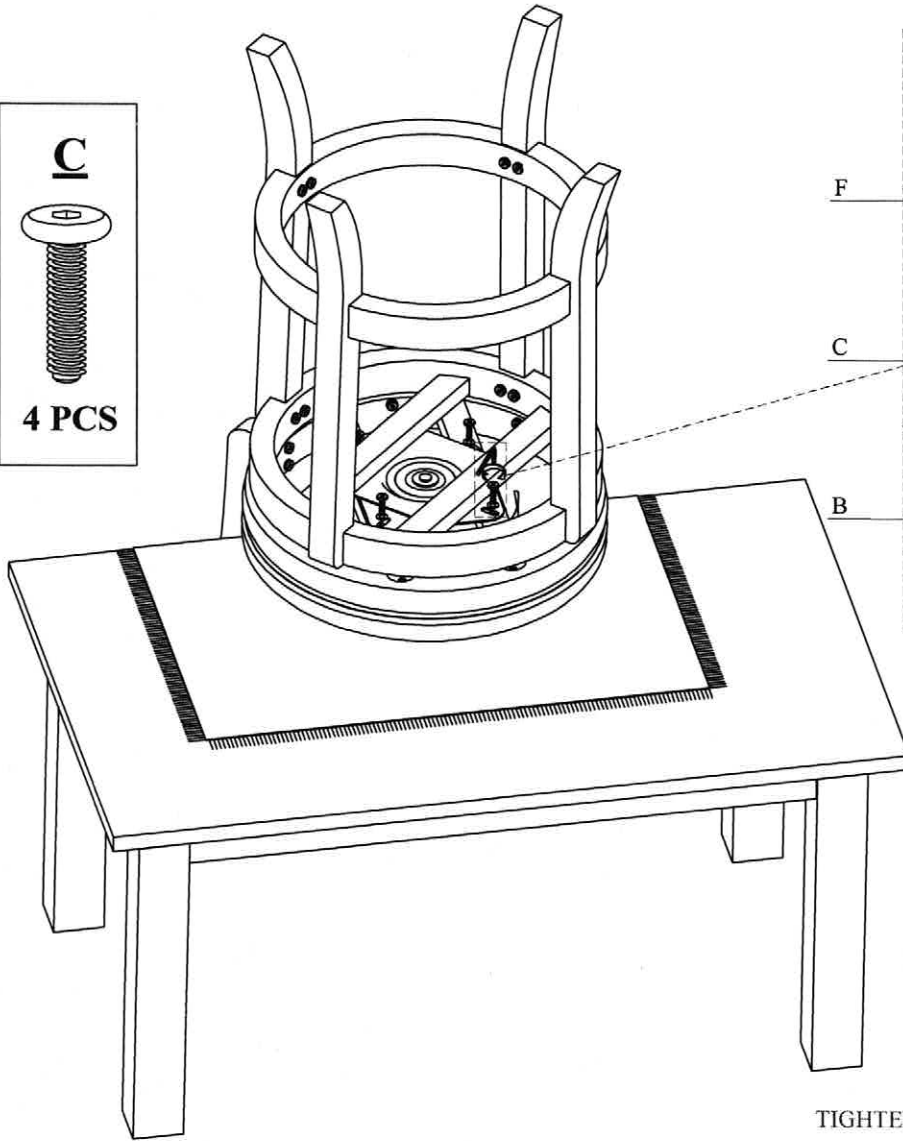
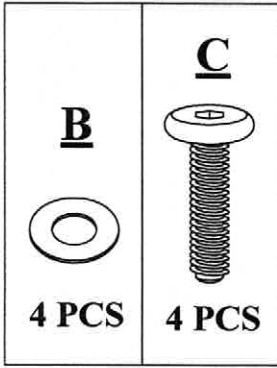
03

 A 6 PCS	 B 6 PCS	 E 6 PCS
--	--	--

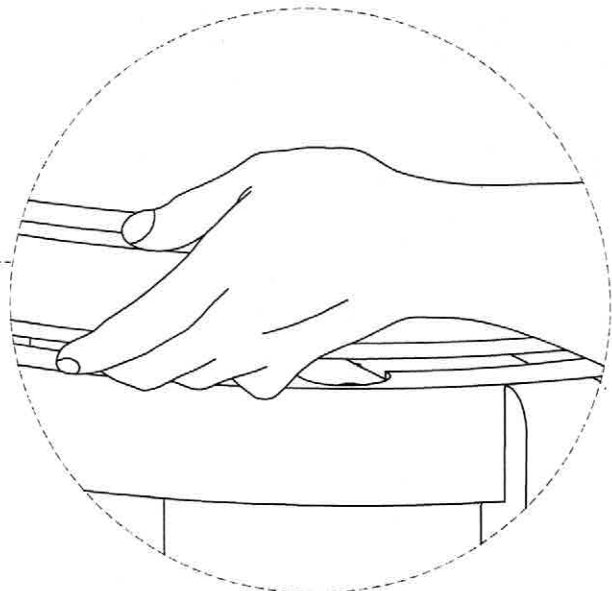
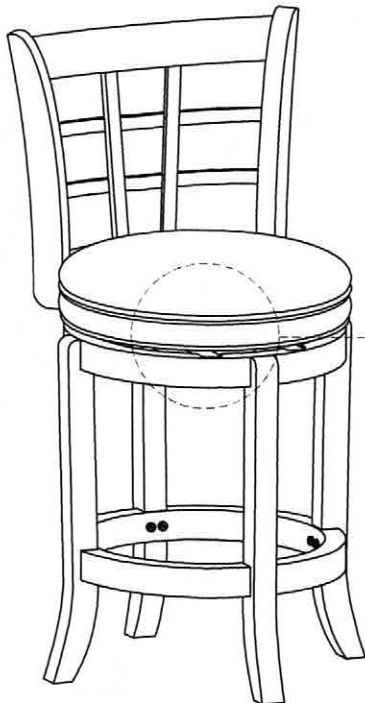


TIGHTEN BOLT COMPLETELY.

04



TIGHTEN BOLT COMPLETELY.



BE SURE TO CHECK ALL BOLTS ARE SECURELY TIGHTENED PRIOR USING THIS STOOL.