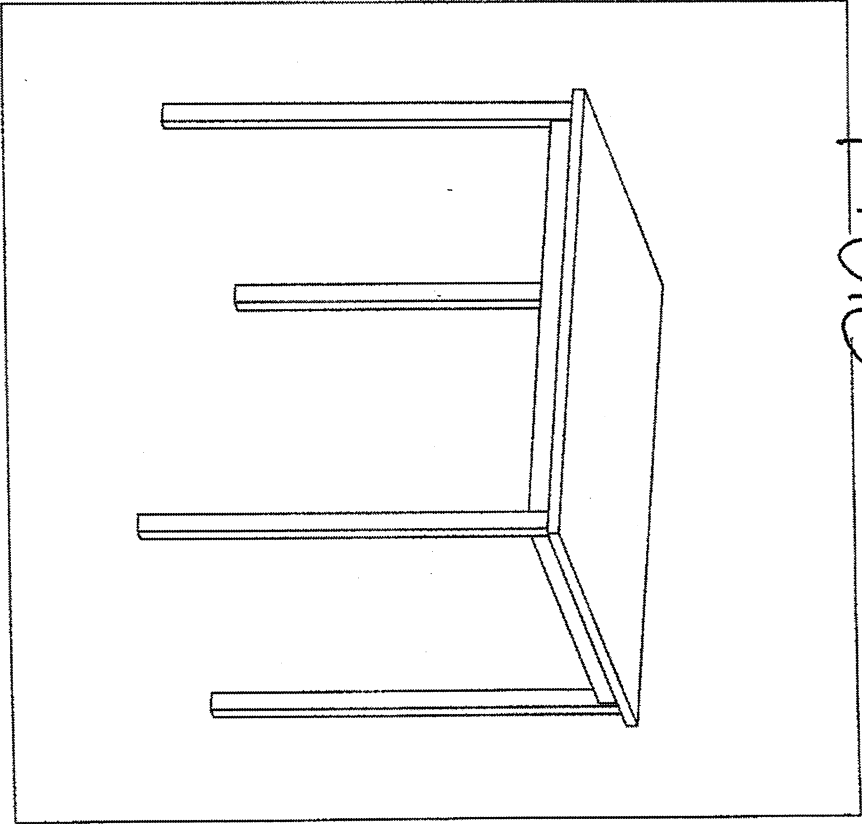
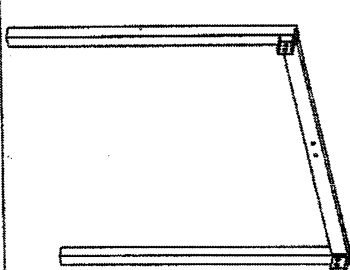


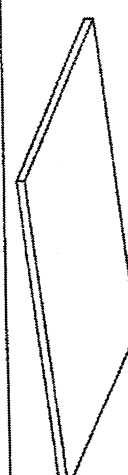






Assembly Instructions

77010



Parts List

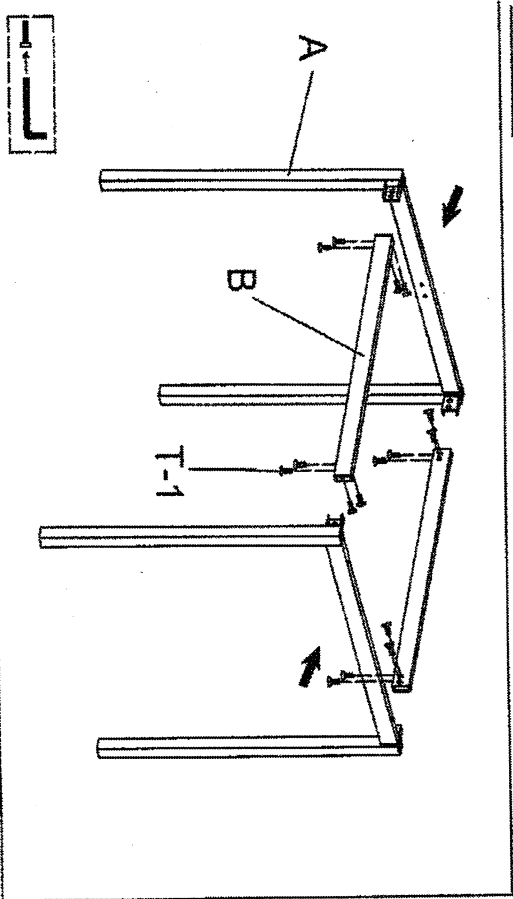
Label	Picture	Qty
A		2
B		2
C		1
D		1
T-1	 (M6X15)	20
T-2	 (M5X70)	8
T-3		4
T-4		1

77010

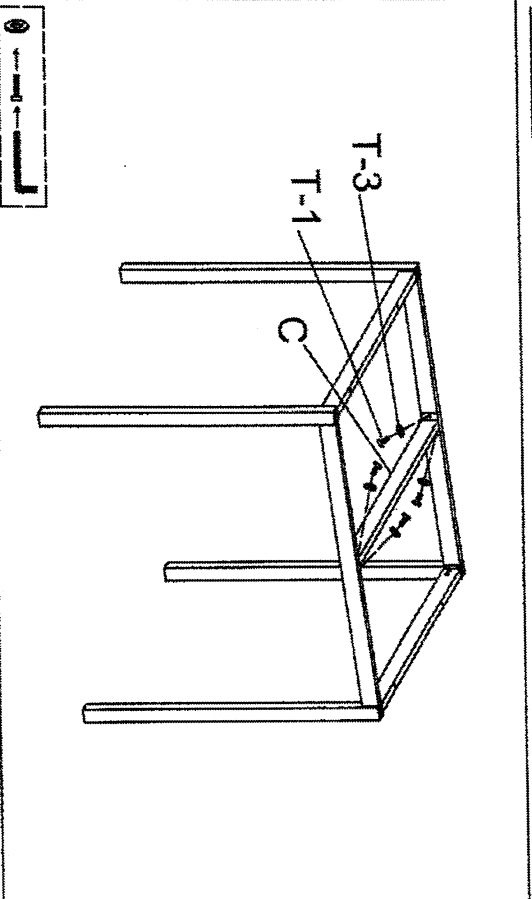
Assembly Steps

ATTENTION:
DO NOT COMPLETELY TIGHTEN ANY SCREWS UNTIL ALL PARTS ARE IN PLACE

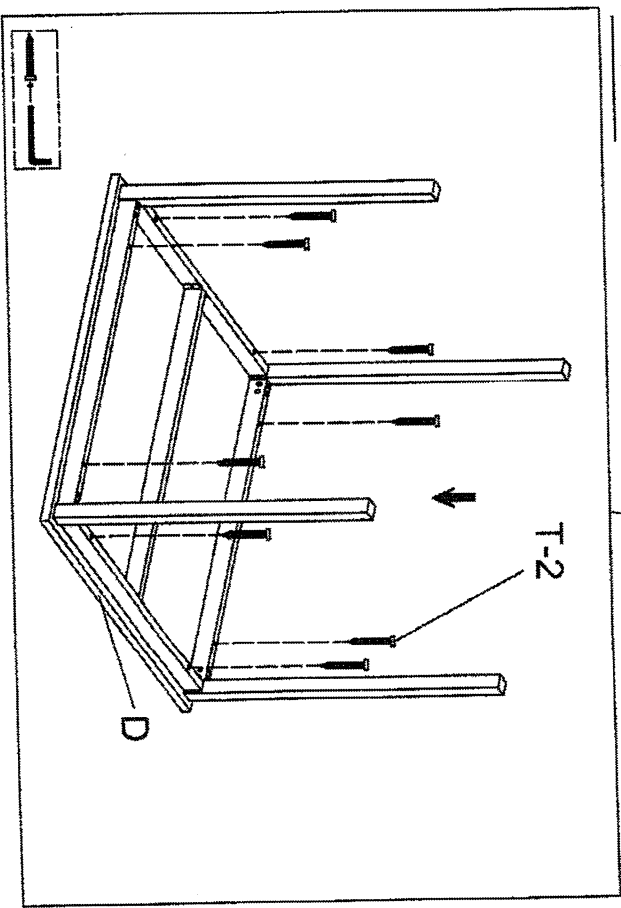
Step 1



Step 2



Step 3



27810

Step 4

