

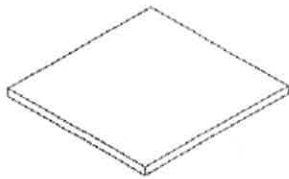


MAAYA HOME
COLETTE SIDE TABLE
Assembly Instructions
17111

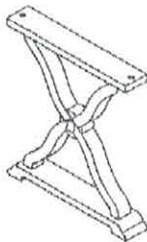
- . Tools Included
- . Do not throw away packaging materials until assembly is complete
- . Assemble this item on a soft, clean surface to protect the product
- . Proper assemble requires 2 people
- . Make sure all parts are included prior to assembling

PART LIST		
ITEM	DESCRIPTION	QTY
A	Table Top	1PC
B	Table Leg	2PCS
C	Center Support	1PC
D	Center Support	1PC
E	Support Stopper	2PCS

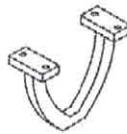
HARDWARE LIST		
ITEM	DESCRIPTION	QTY
1	Wrench 	1PC
2	Screw M8*45 MM 	9PCS
3	Lock Washer 	9PCS
4	Washer M8*18 	9PCS



A



B



C

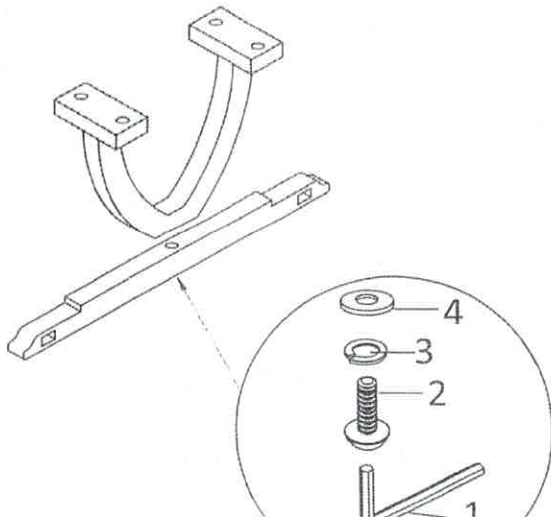


D

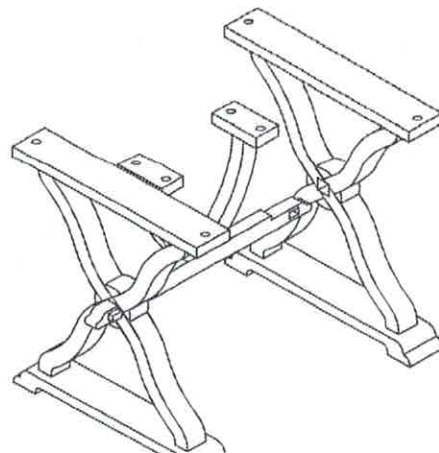


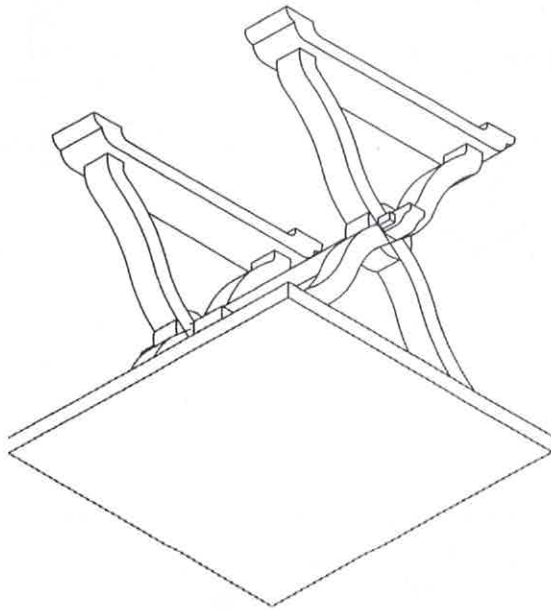
E

STEP 1

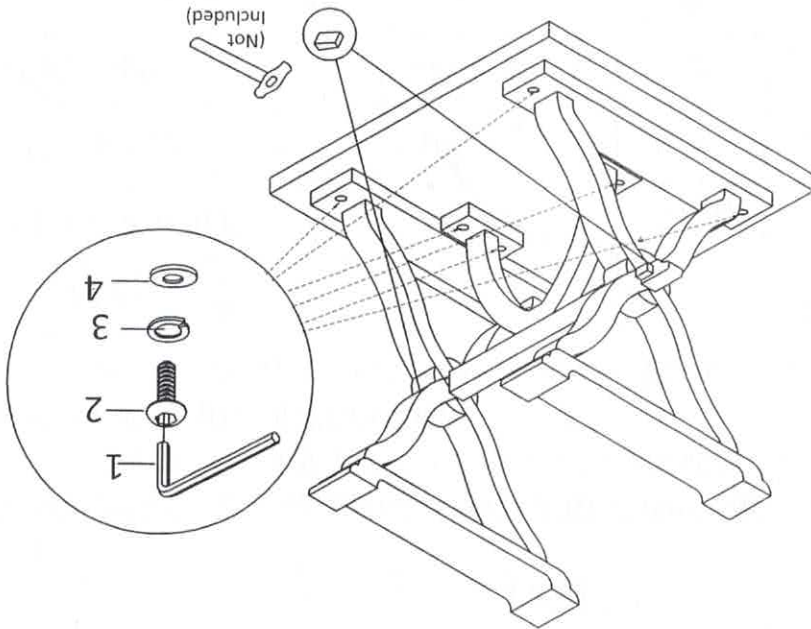


THE END





THE END



STEP 3