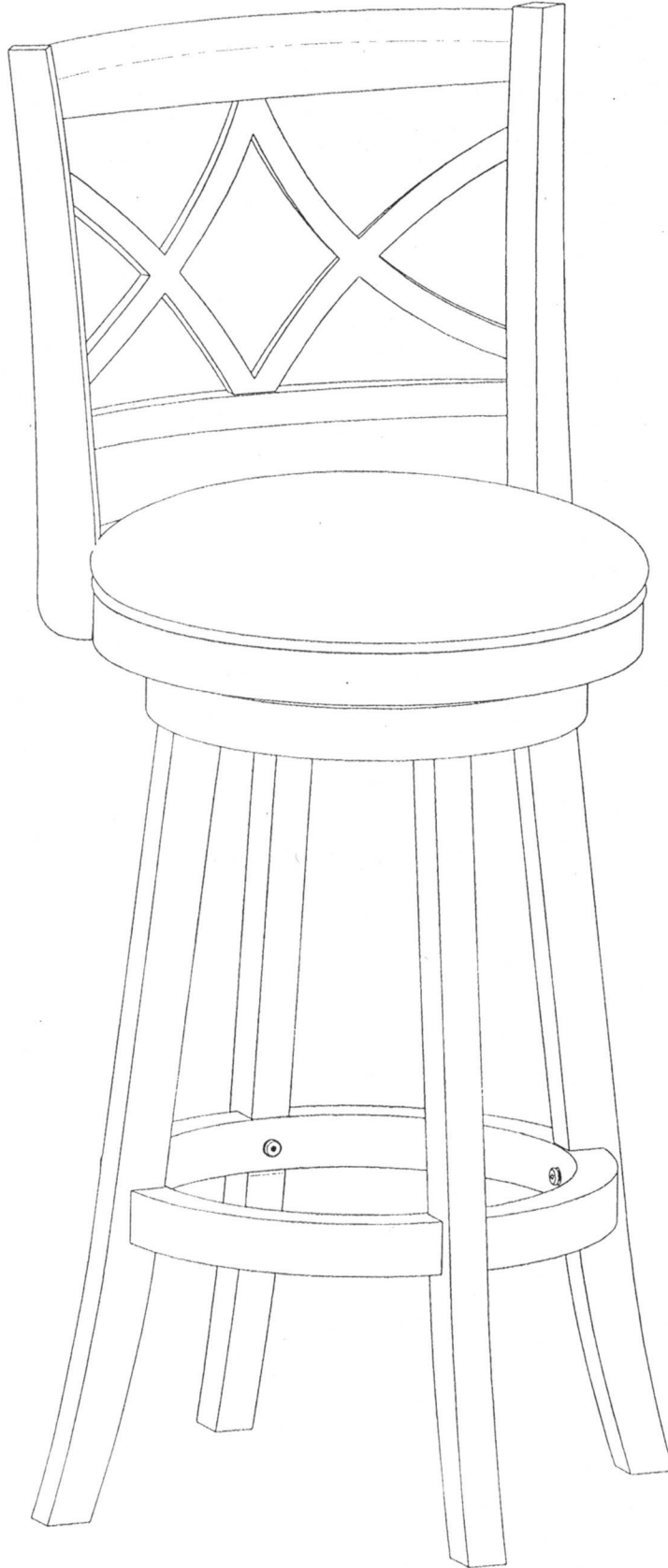


45529



# Boraam Industries

CARDIFF SWIVEL STOOL  
ASSEMBLY INSTRUCTIONS





PLEASE READ ME FIRST



- Have questions about assembling your item?



- Item or parts damaged?



- Missing a part?



- We're here to help!



(847)949-6300 (M-F, 9am-5pm CST)



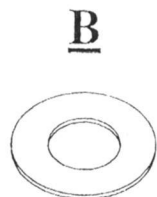
[www.boraamindustries.com](http://www.boraamindustries.com)



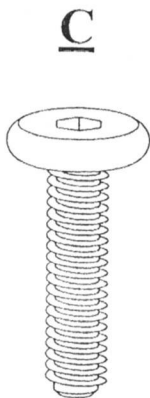
[customerservice@boraamindustries.com](mailto:customerservice@boraamindustries.com)



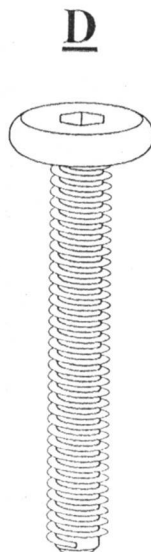
M6\*10 : 14 PCS



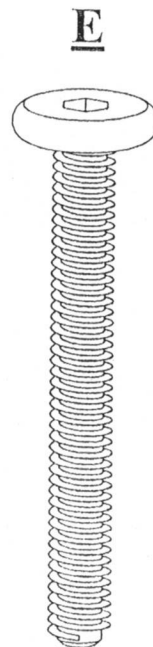
M6\*16 : 18 PCS



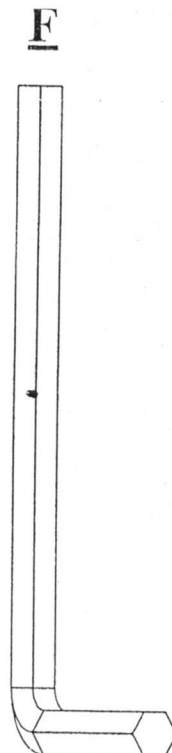
M6\*25 : 4 PCS



M6\*40 : 8 PCS

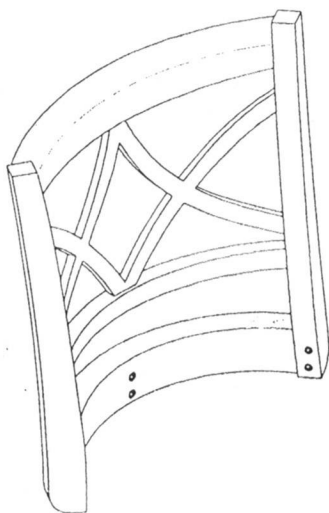


M6\*45 : 6 PCS

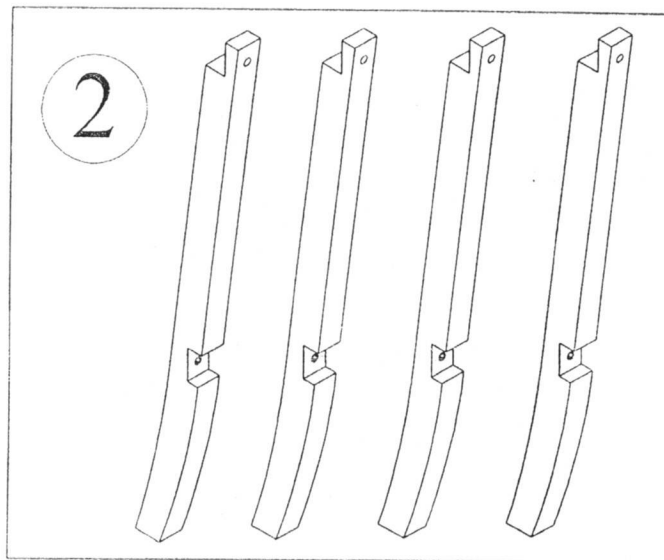


M4\*110 : 1 PC

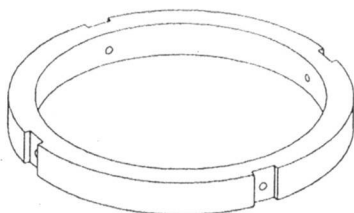
1



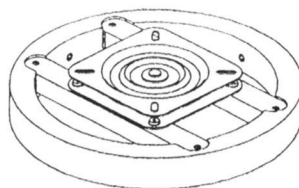
2



3



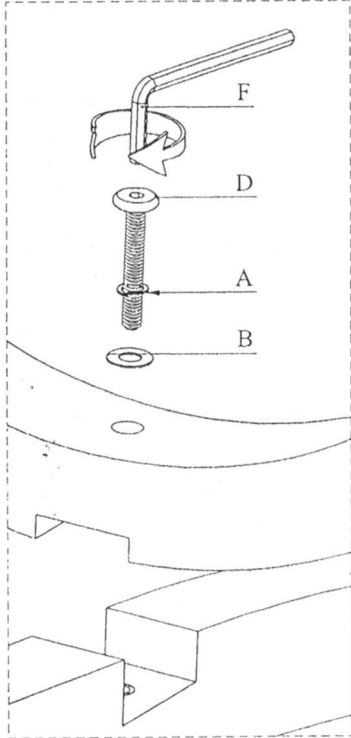
4



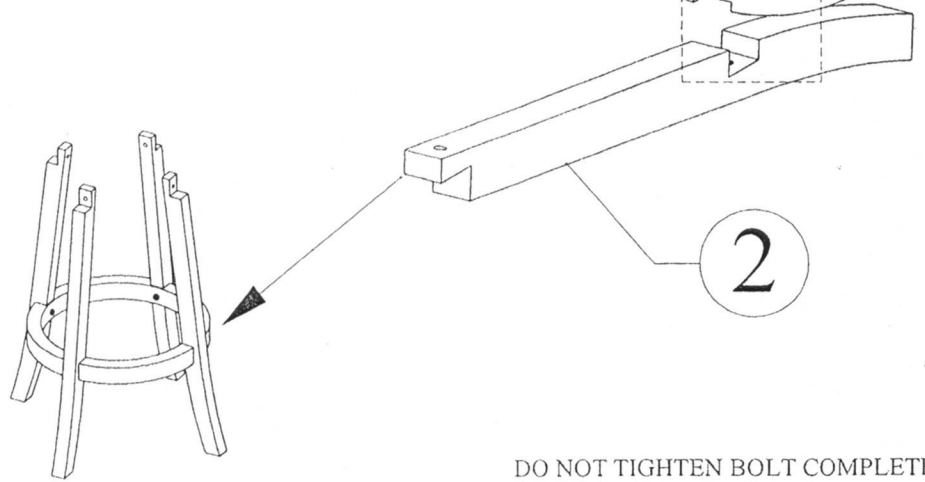
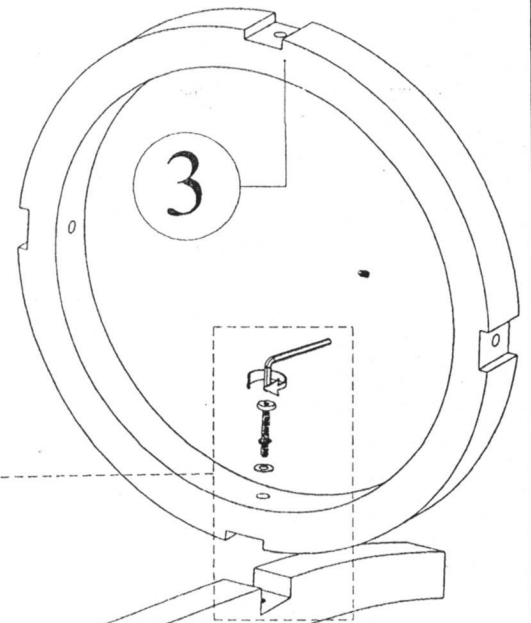
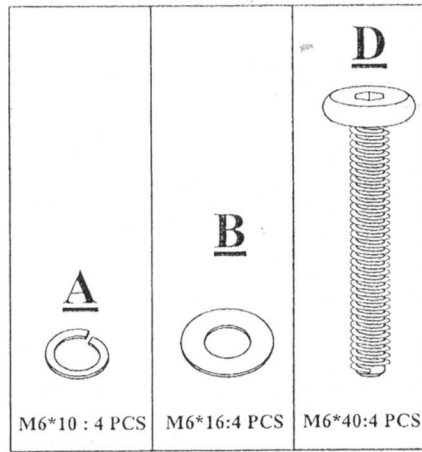
5



# 01

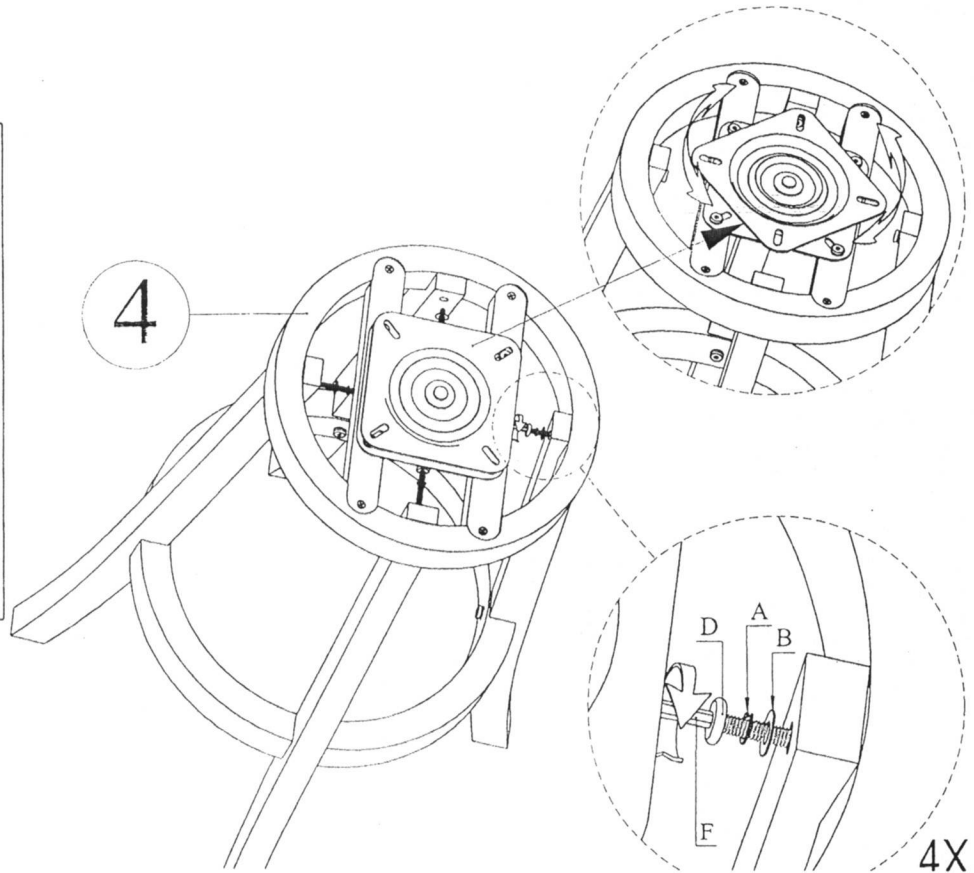
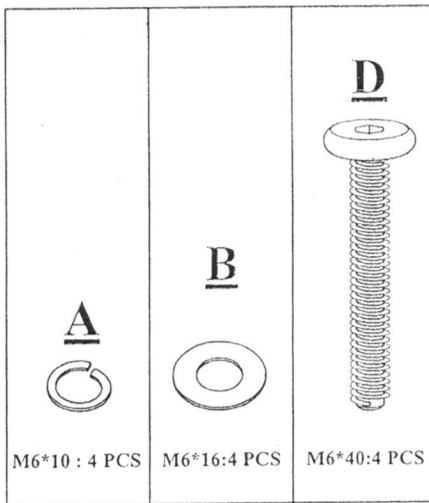


4X

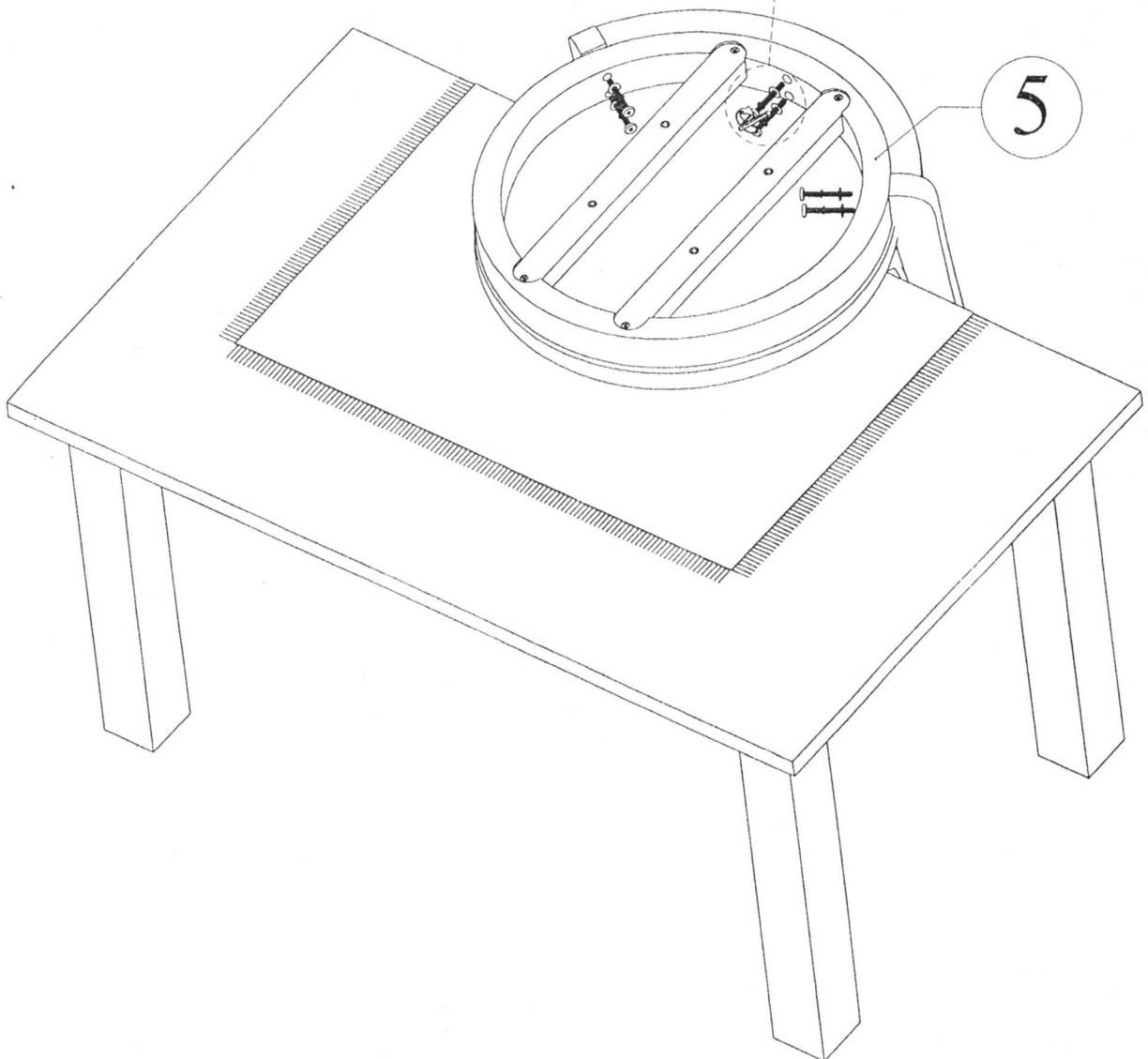
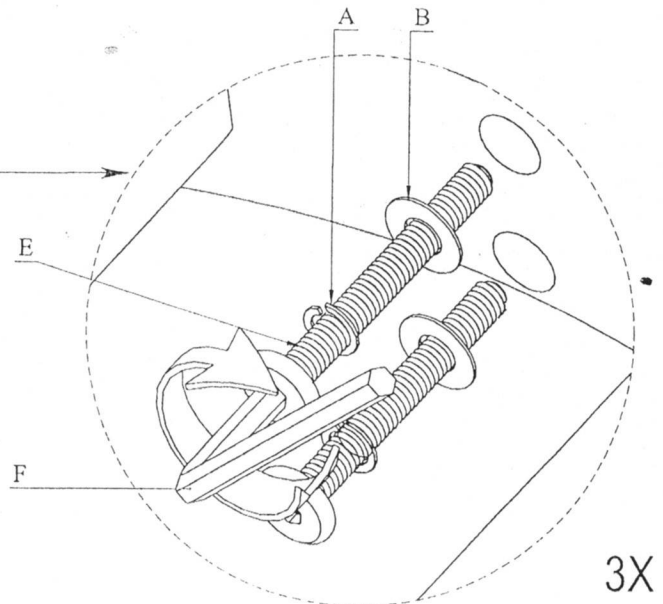
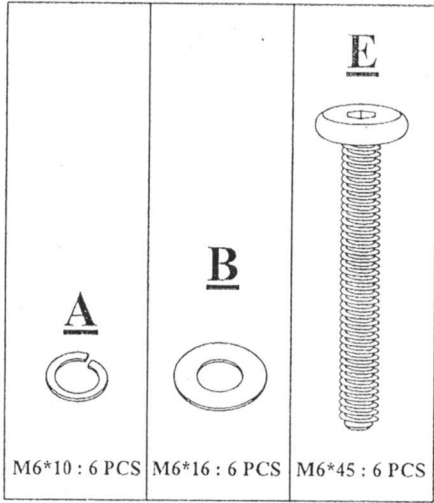


DO NOT TIGHTEN BOLT COMPLETELY.

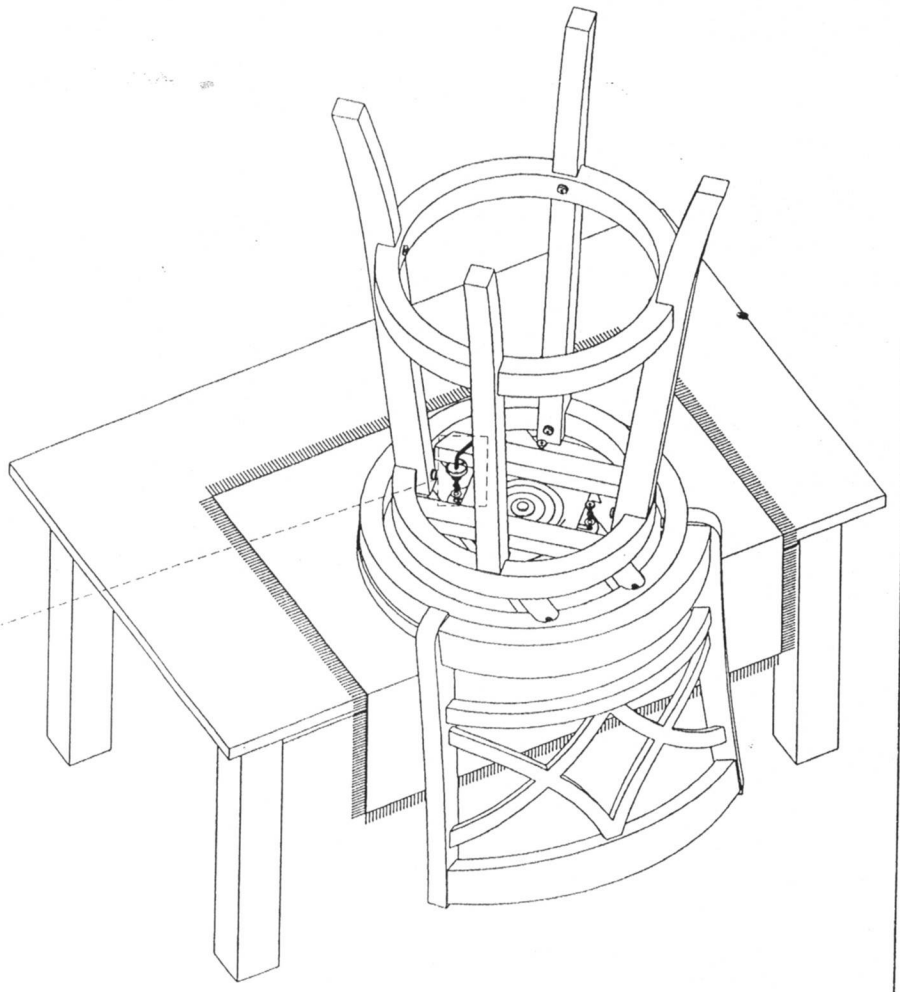
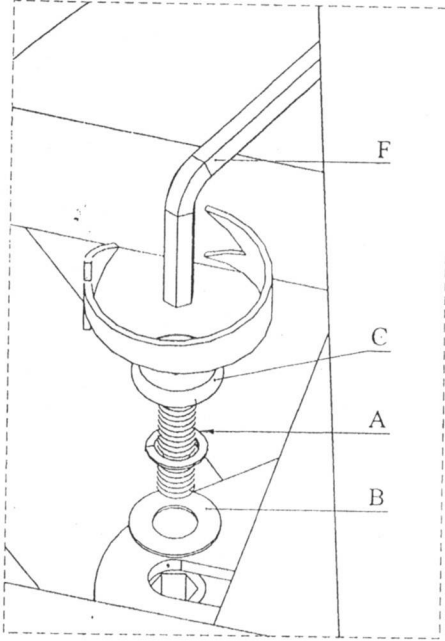
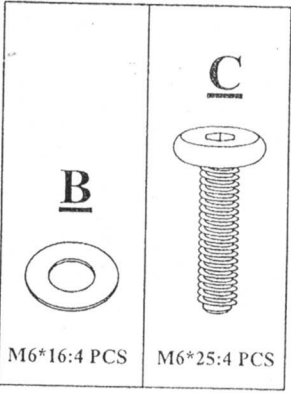
# 02



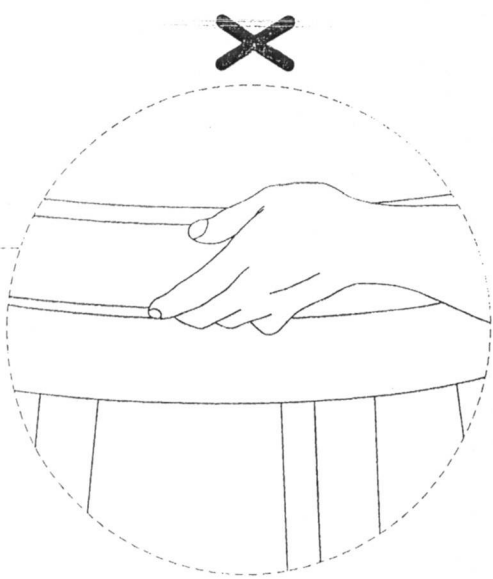
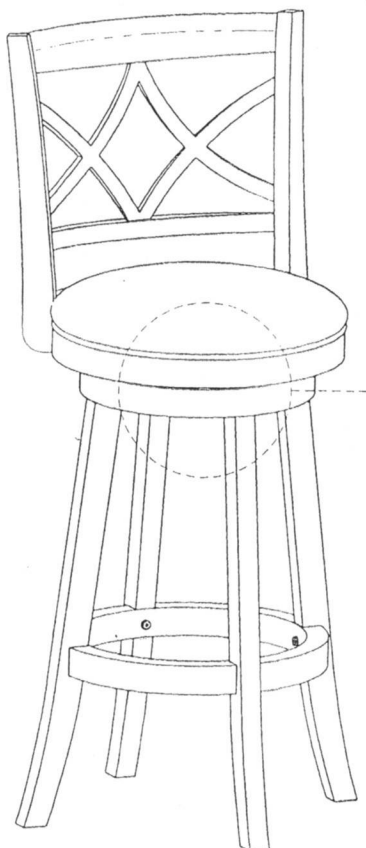
4X



TIGHTEN BOLT COMPLETELY.



TIGHTEN BOLT COMPLETELY.



BE SURE TO CHECK ALL BOLTS ARE SECURELY TIGHTENED PRIOR USING THIS STOOL.