

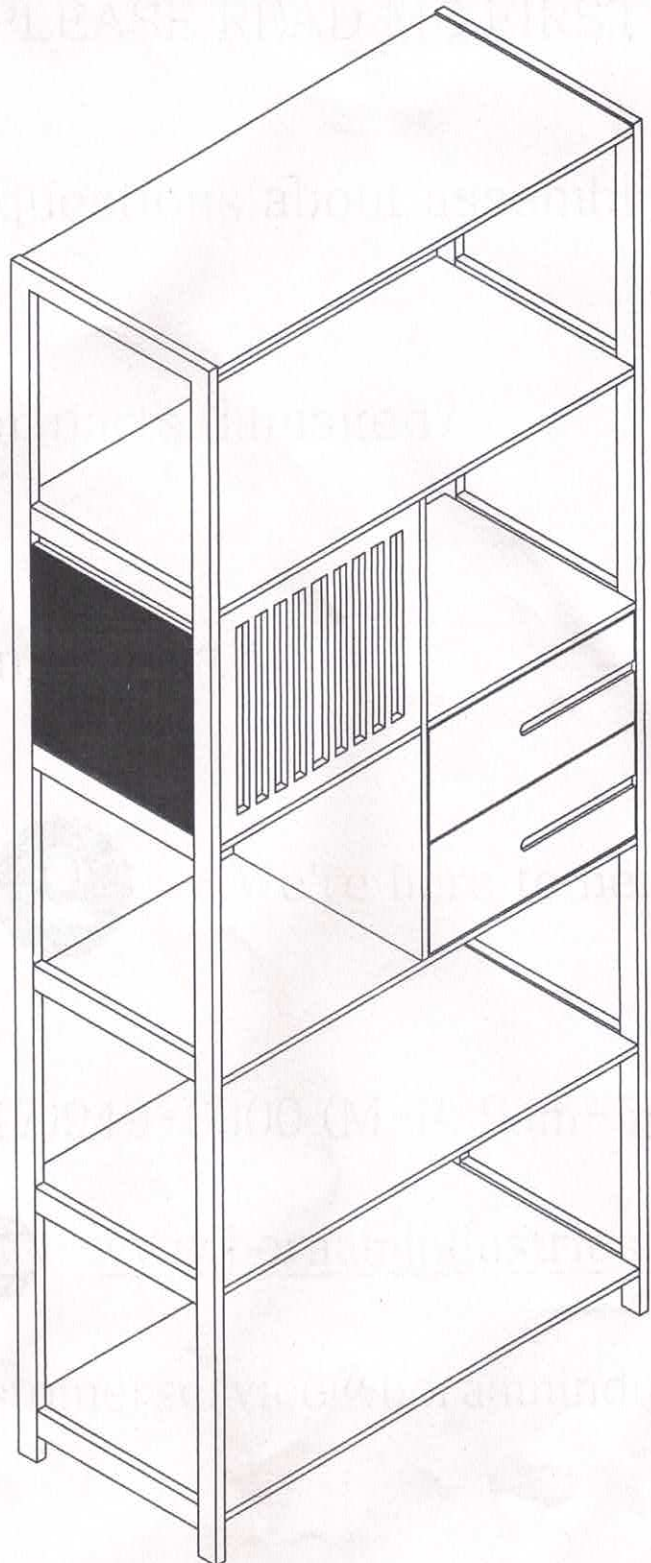


# Boraam Industries

## SELMA BOOKCASE

ASSEMBLY INSTRUCTIONS

TYPE A





PLEASE READ ME FIRST



- Have questions about assembling your item?



- Item or parts damaged?



- Missing a part?



- We're here to help!



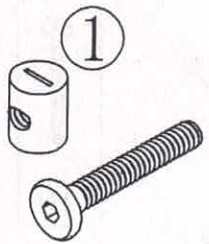
(847)949-6300 (M-F, 9am-5pm CST)



[www.boraamindustries.com](http://www.boraamindustries.com)



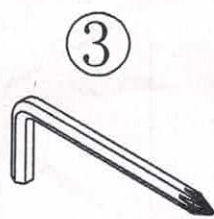
[customerservice@boraamindustries.com](mailto:customerservice@boraamindustries.com)



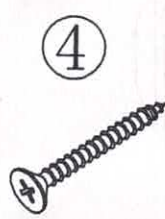
24 PCS



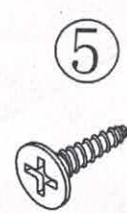
2 PCS



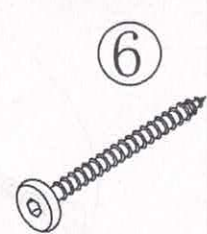
1 PC



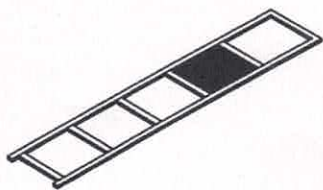
16 PCS



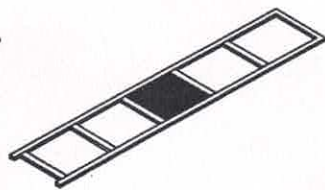
4 PCS



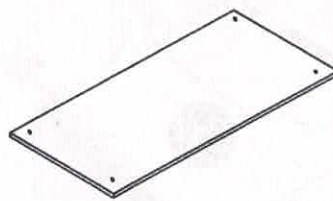
4 PCS



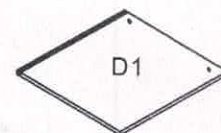
LA\*1



LB\*1



C\*3

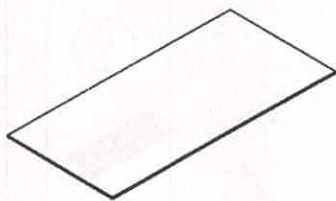


D1

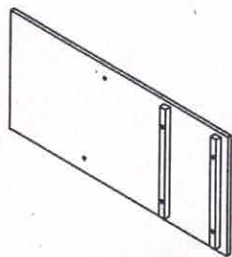


D2

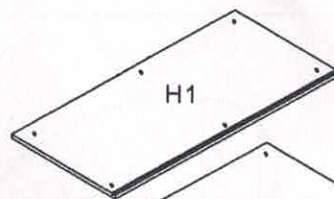
D\*2



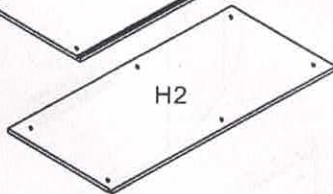
F\*2



LG\*1



H1

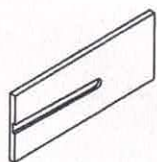


H2

H\*2



LI\*1



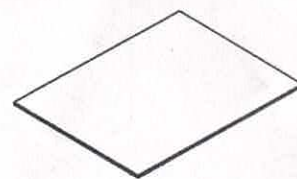
LJ\*2



K\*2

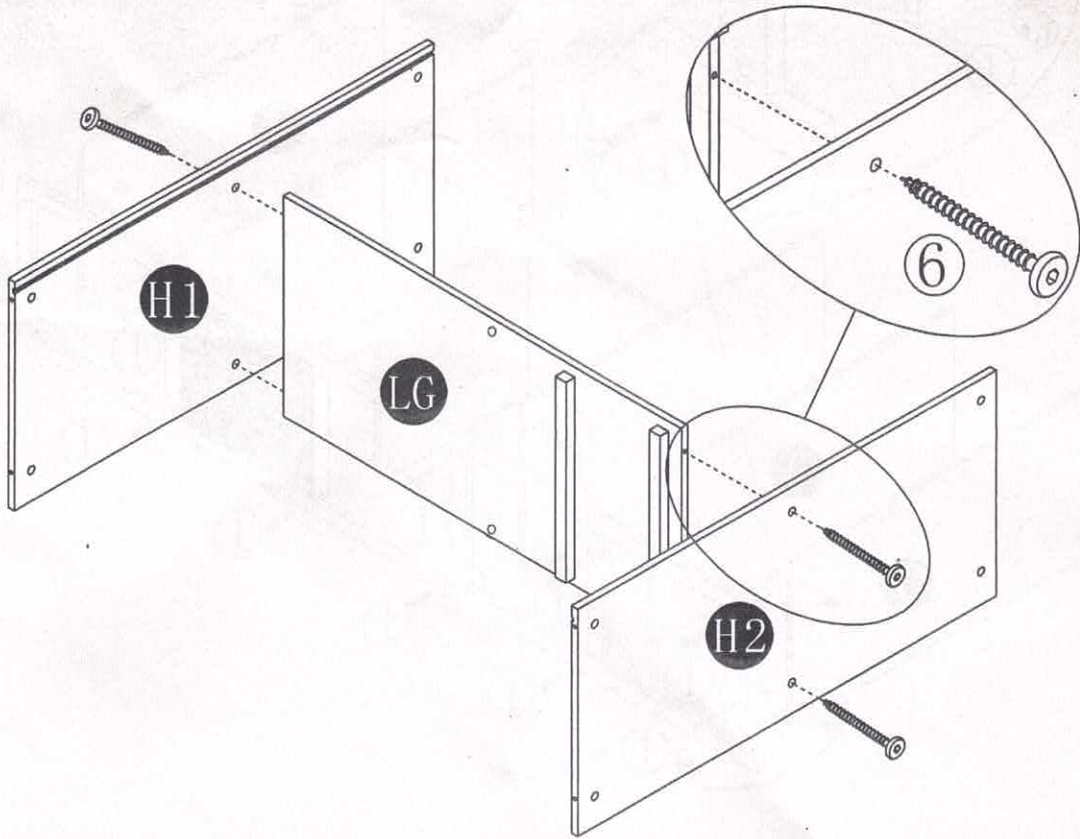


L\*4

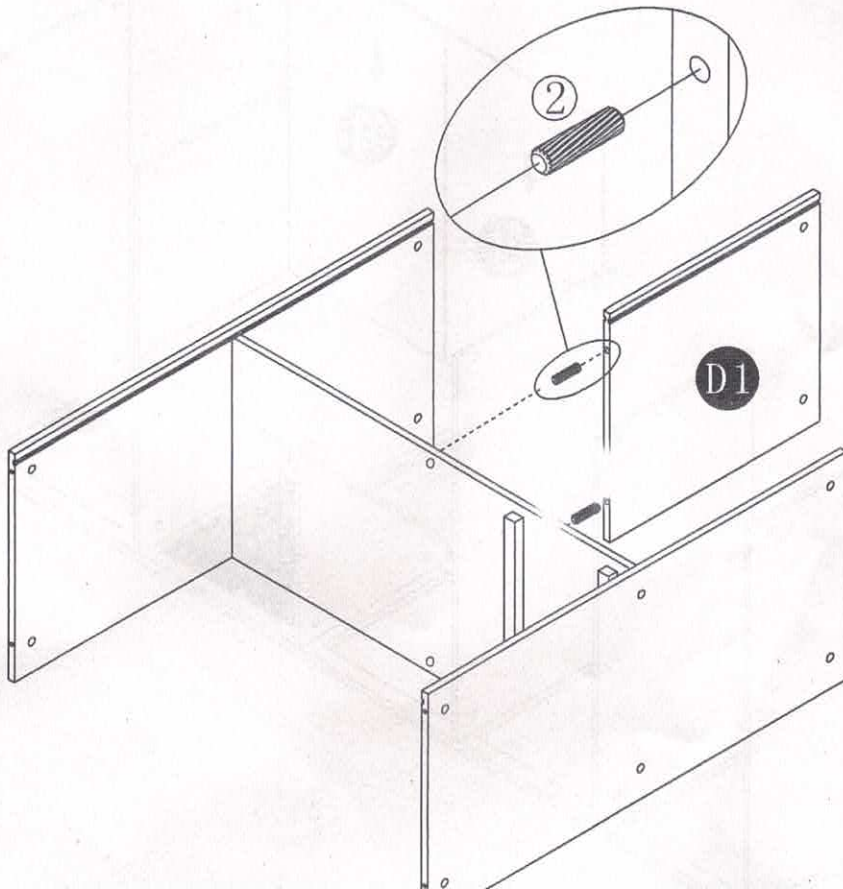
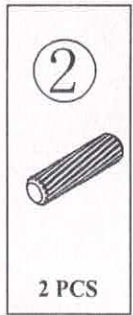


M\*2

# 01

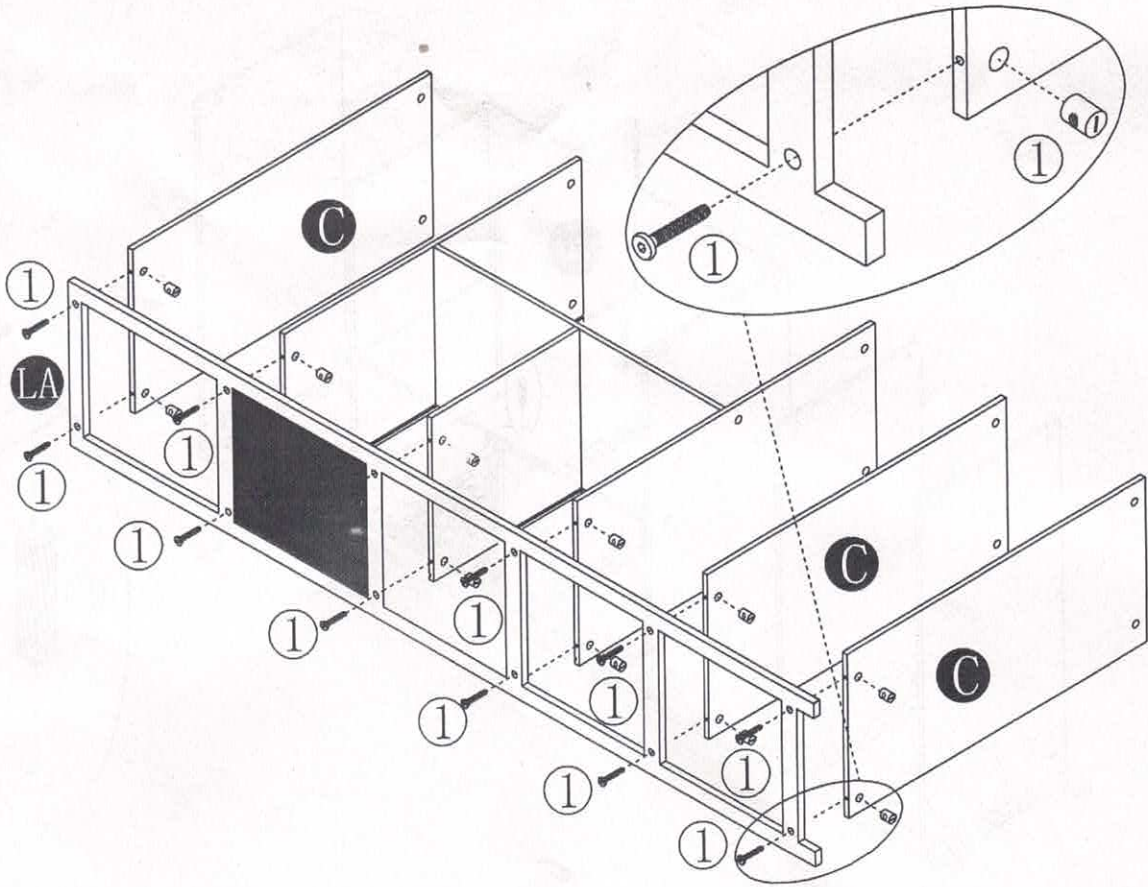


# 02

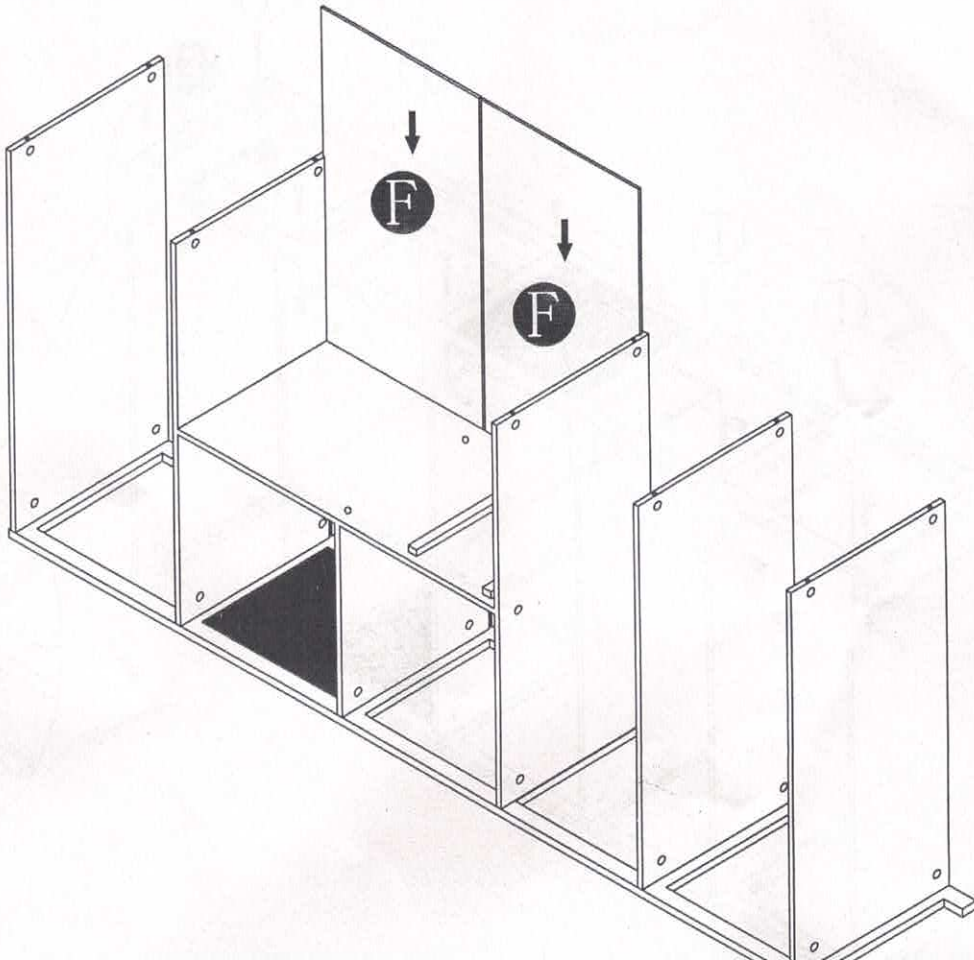


# 03

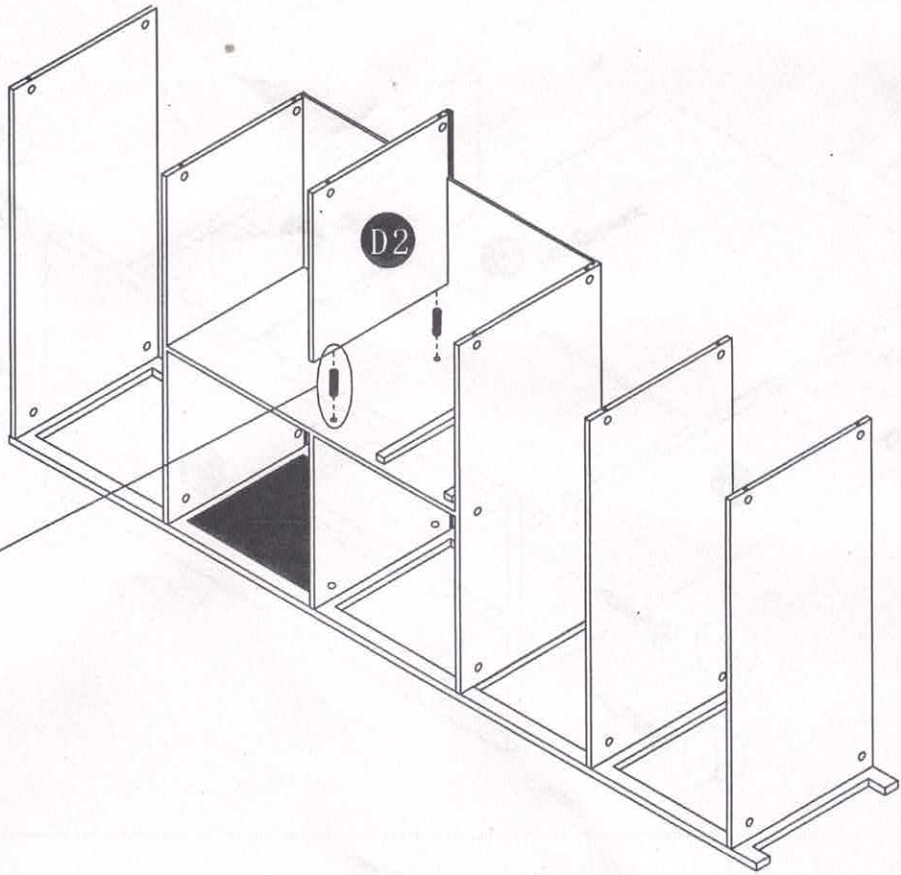
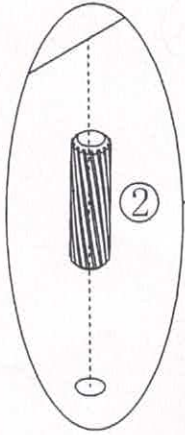
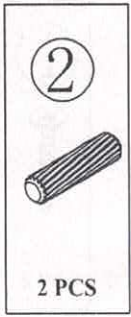
- ①
  - ①
  - ①
- 12 PCS



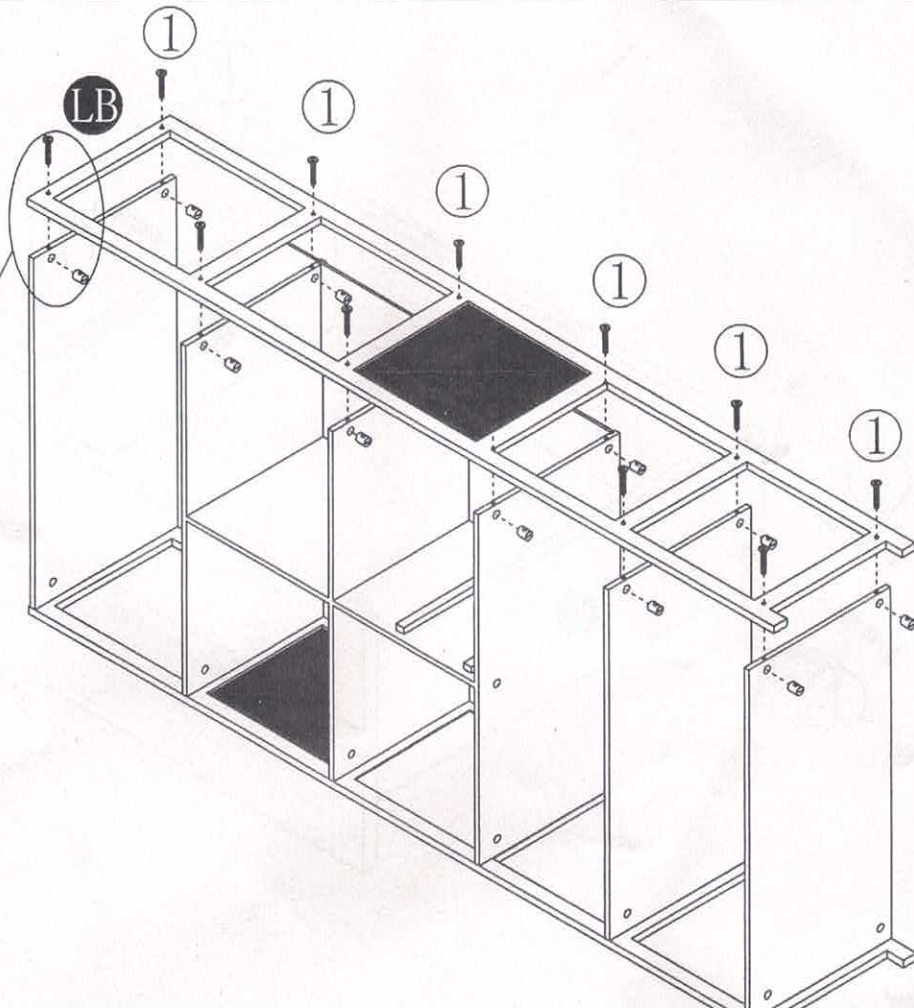
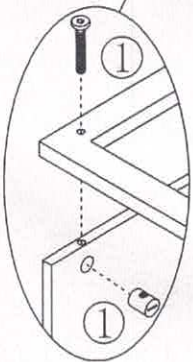
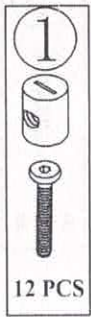
# 04



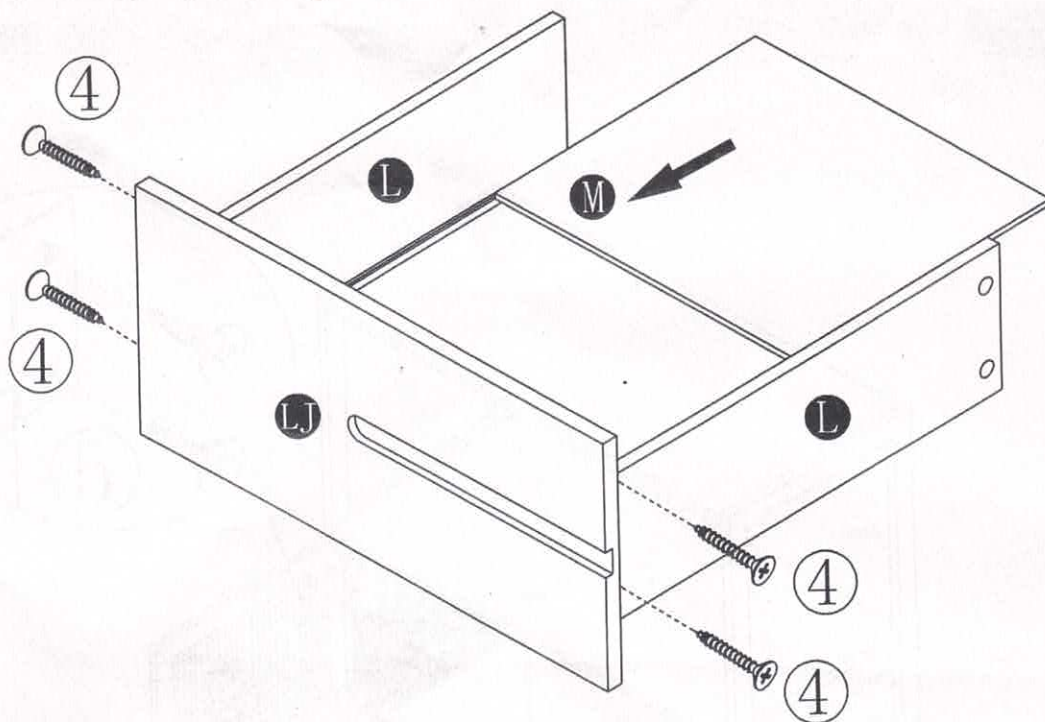
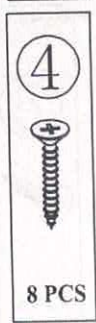
# 05



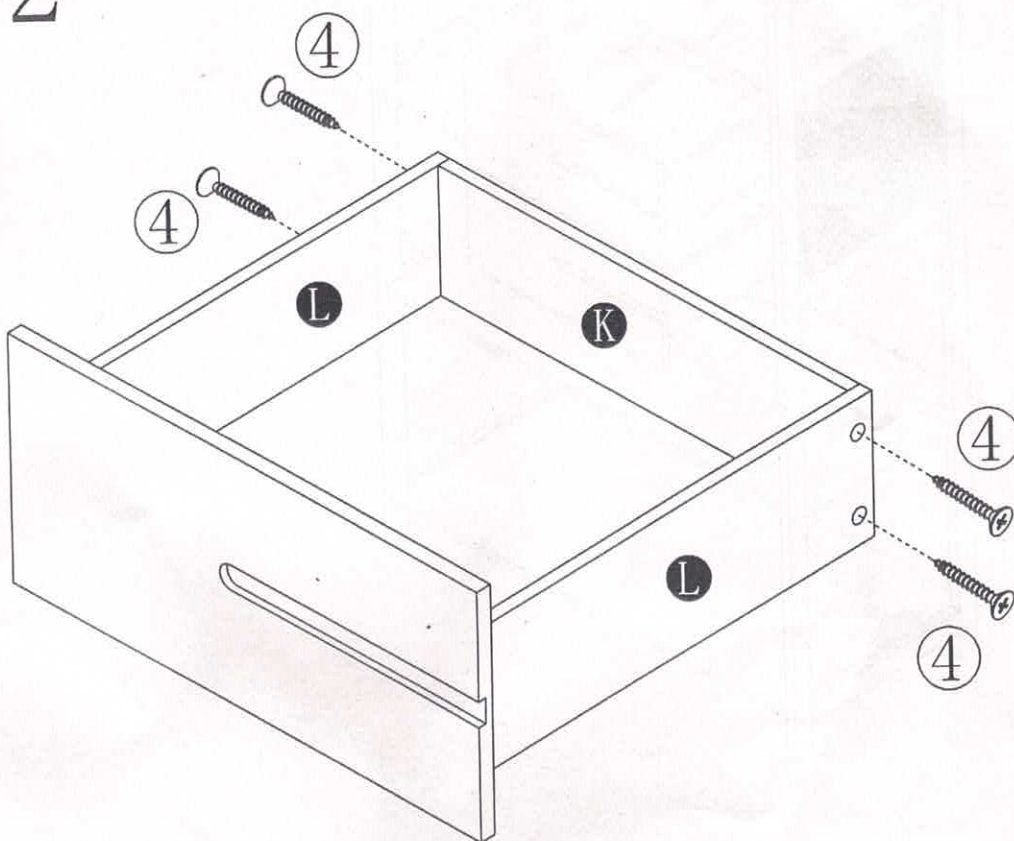
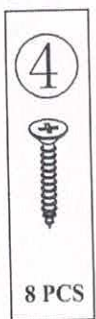
# 06



# 07 \*2



# 08 \*2



09

5



4 PCS

