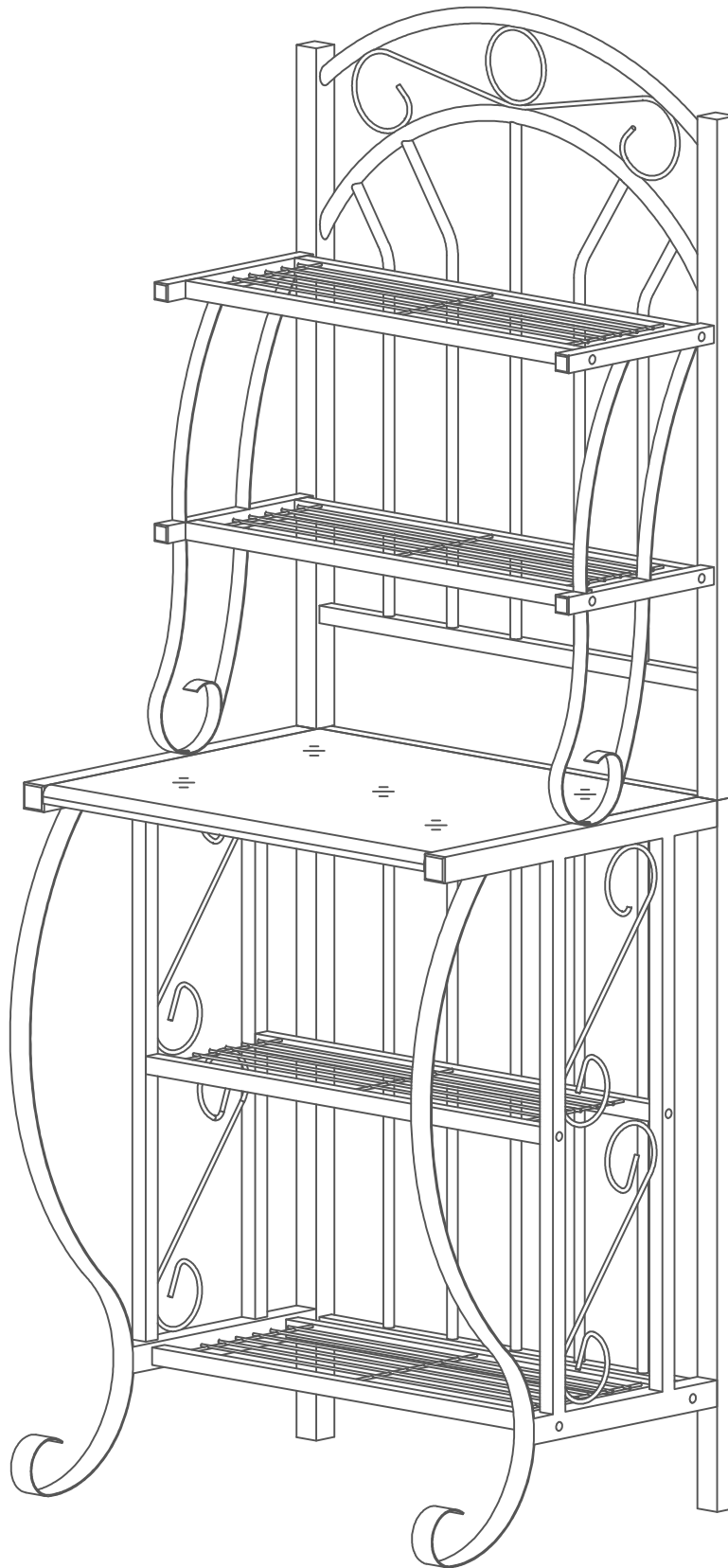




Boraam Industries

VALENCIA BAKER'S RACK

ASSEMBLY INSTRUCTIONS





PLEASE READ ME FIRST



- Have questions about assembling your item?



- Item or parts damaged?



- Missing a part?



- We're here to help!



(847)949-6300 (M-F, 9am-5pm CST)

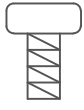


www.boraamindustries.com



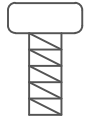
customerservice@boraamindustries.com

A



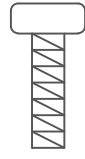
4PCS

B



12PCS

C



12PCS

D

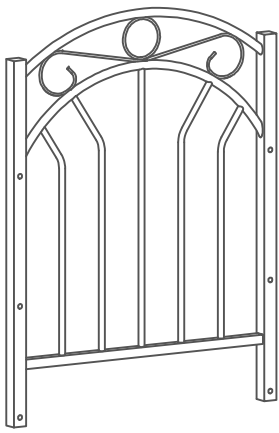


4PCS

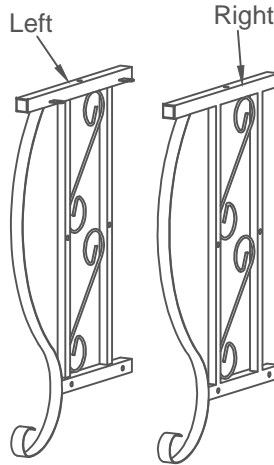
E



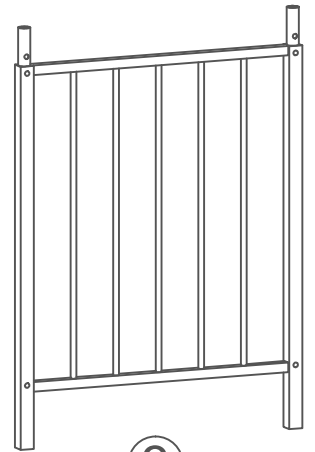
1PC



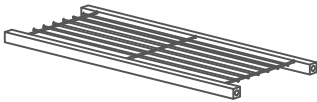
①



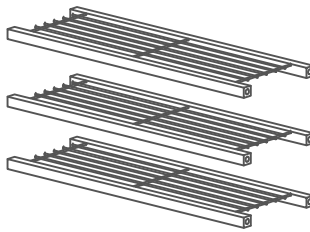
②



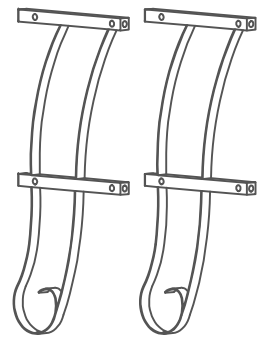
③



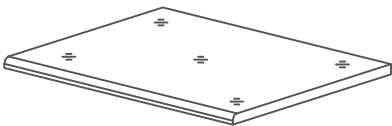
④



⑤

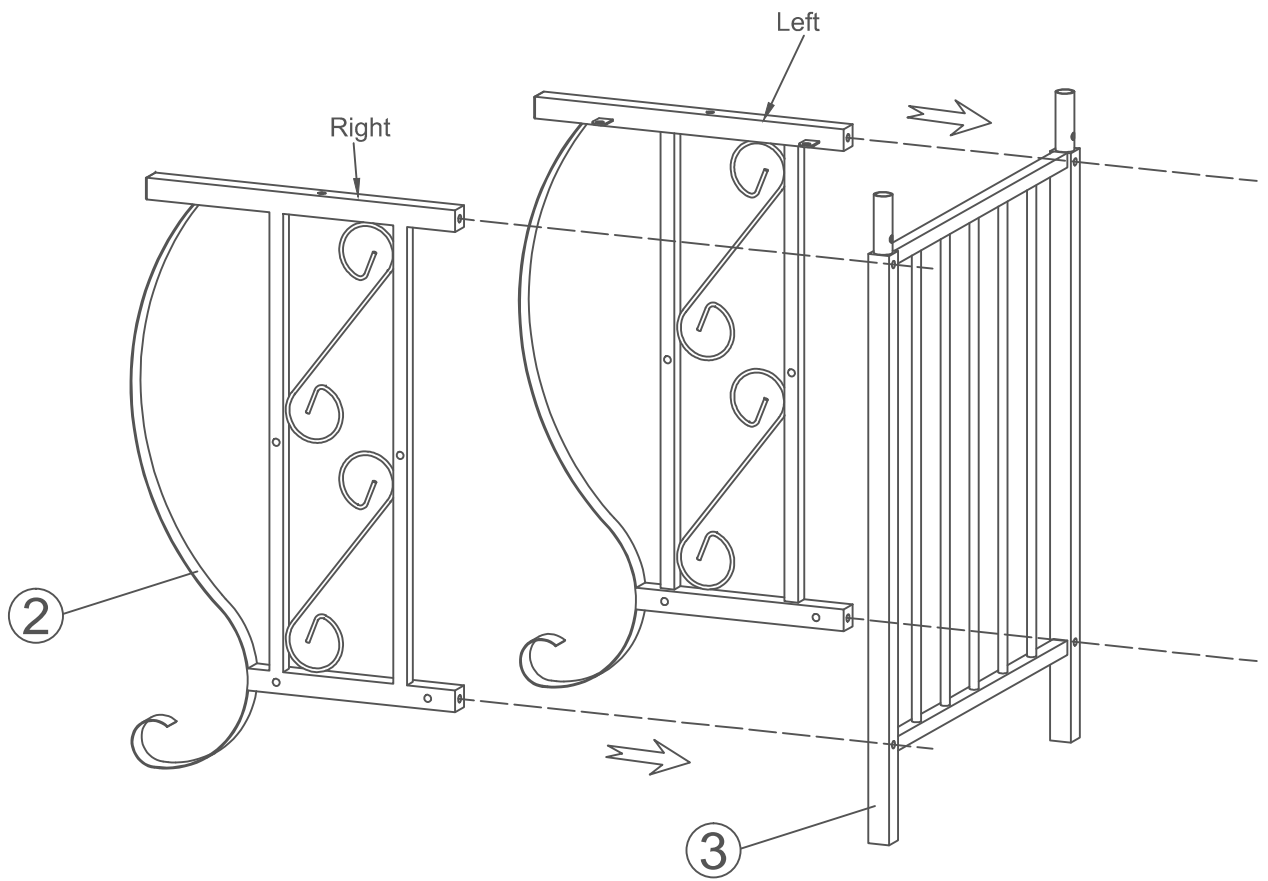


⑥

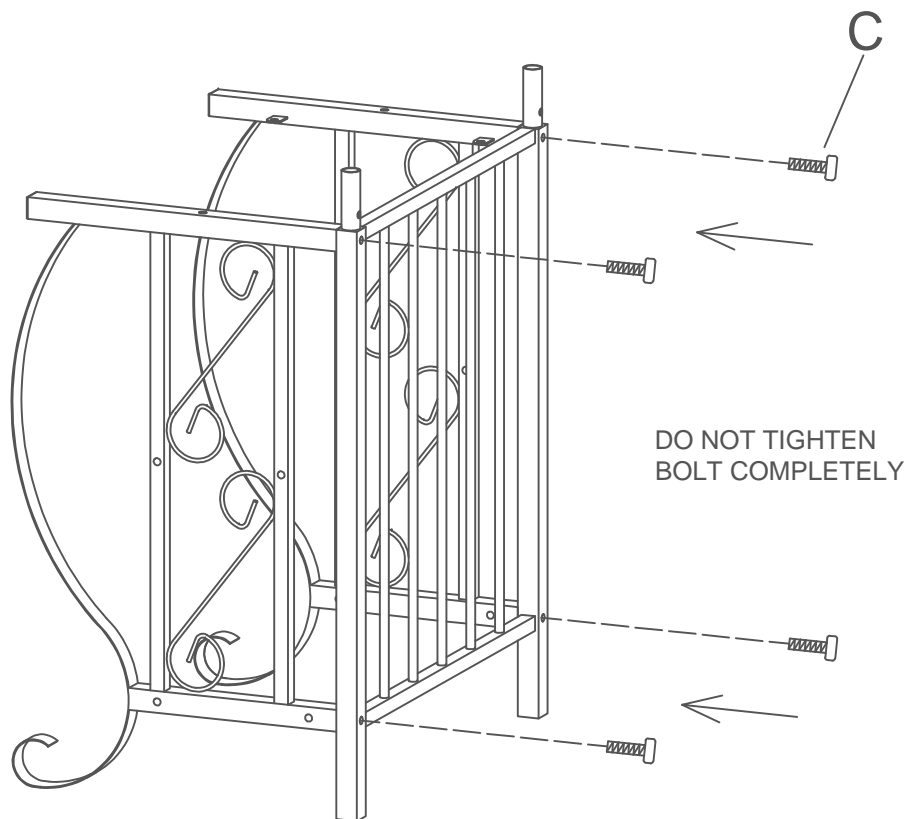
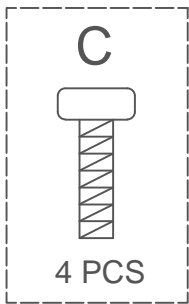


⑦

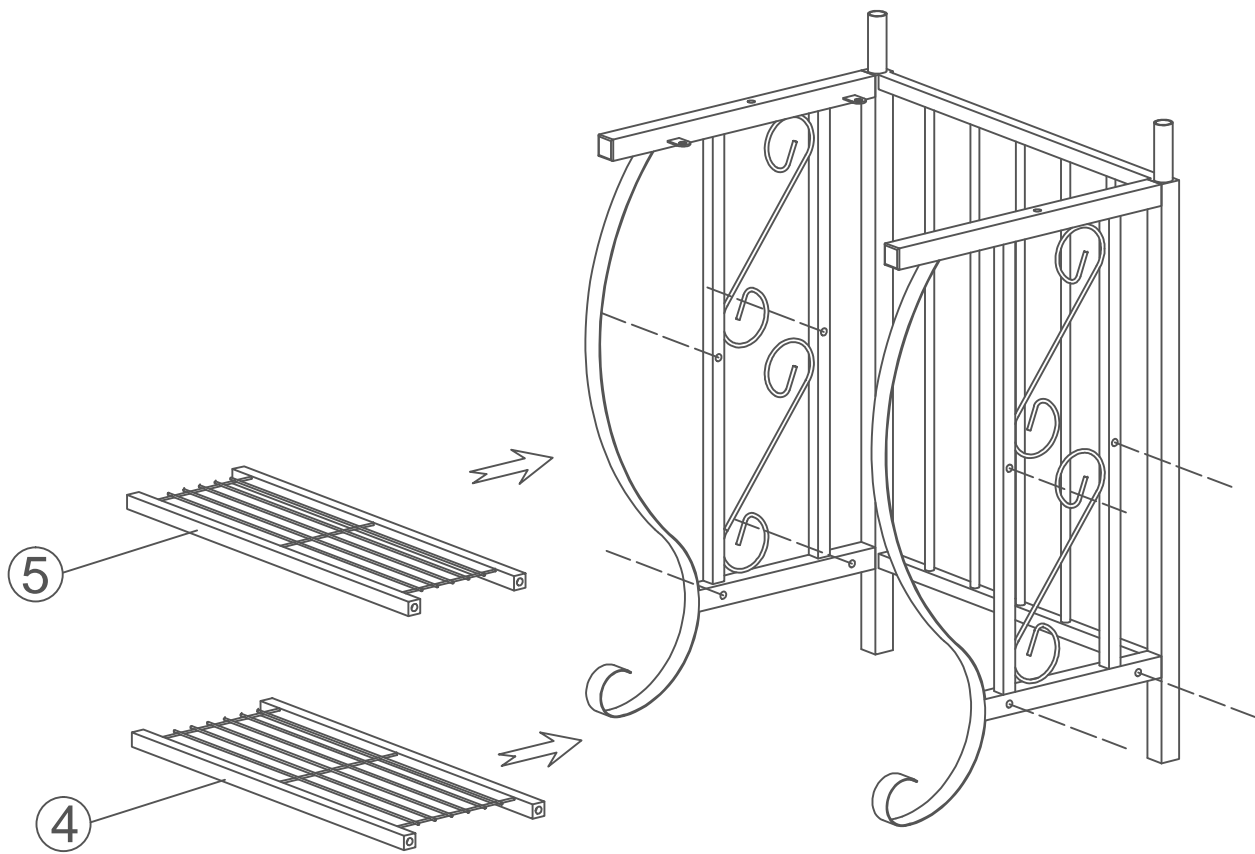
01



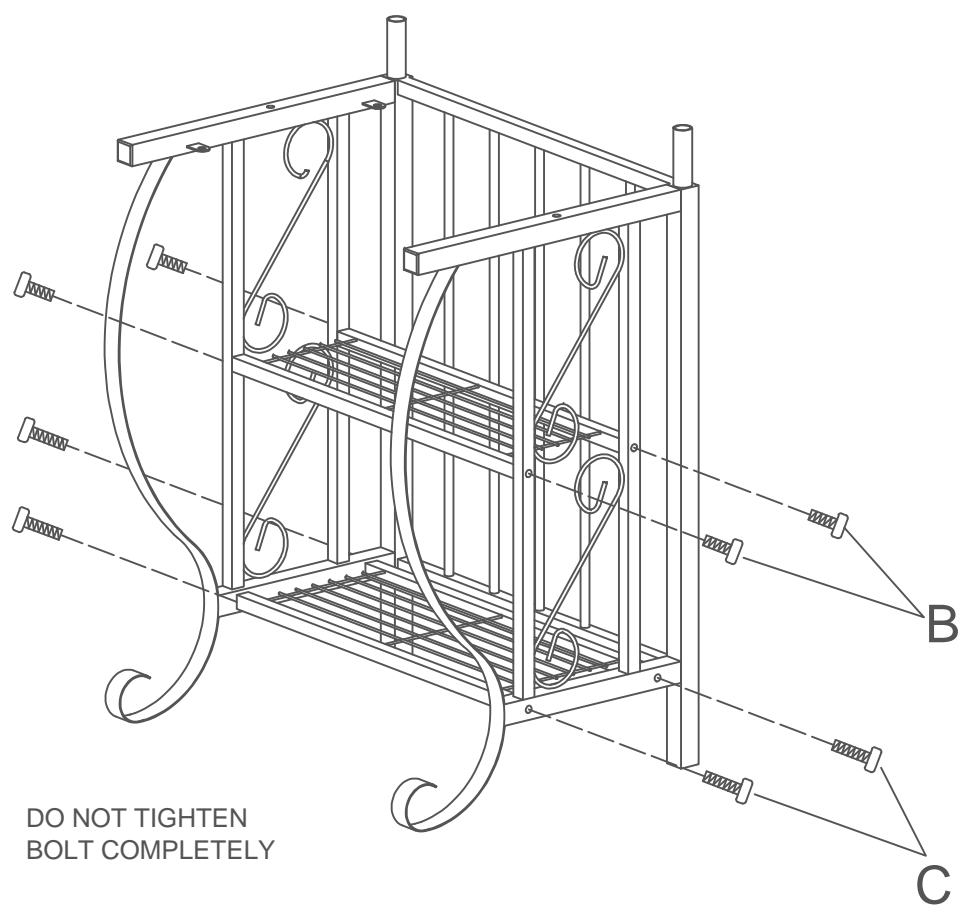
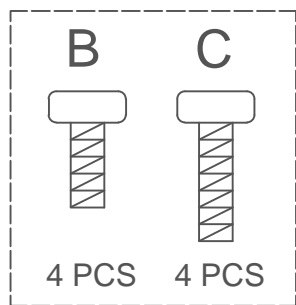
02



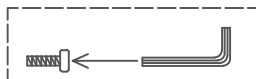
03



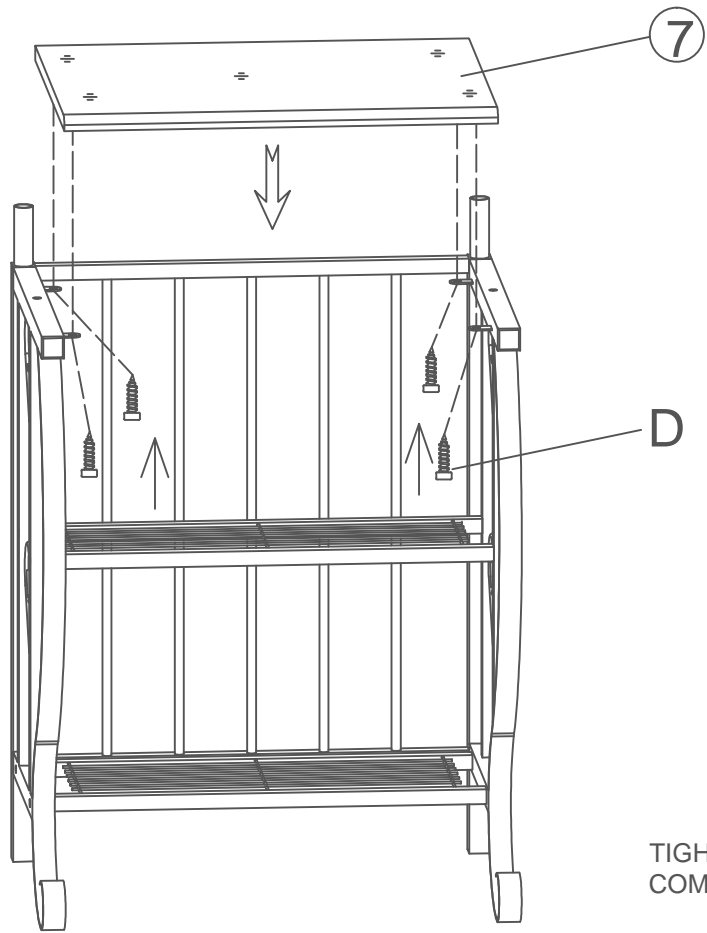
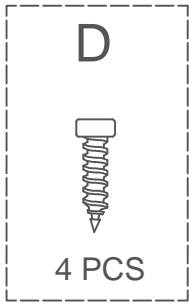
04



DO NOT TIGHTEN BOLT COMPLETELY

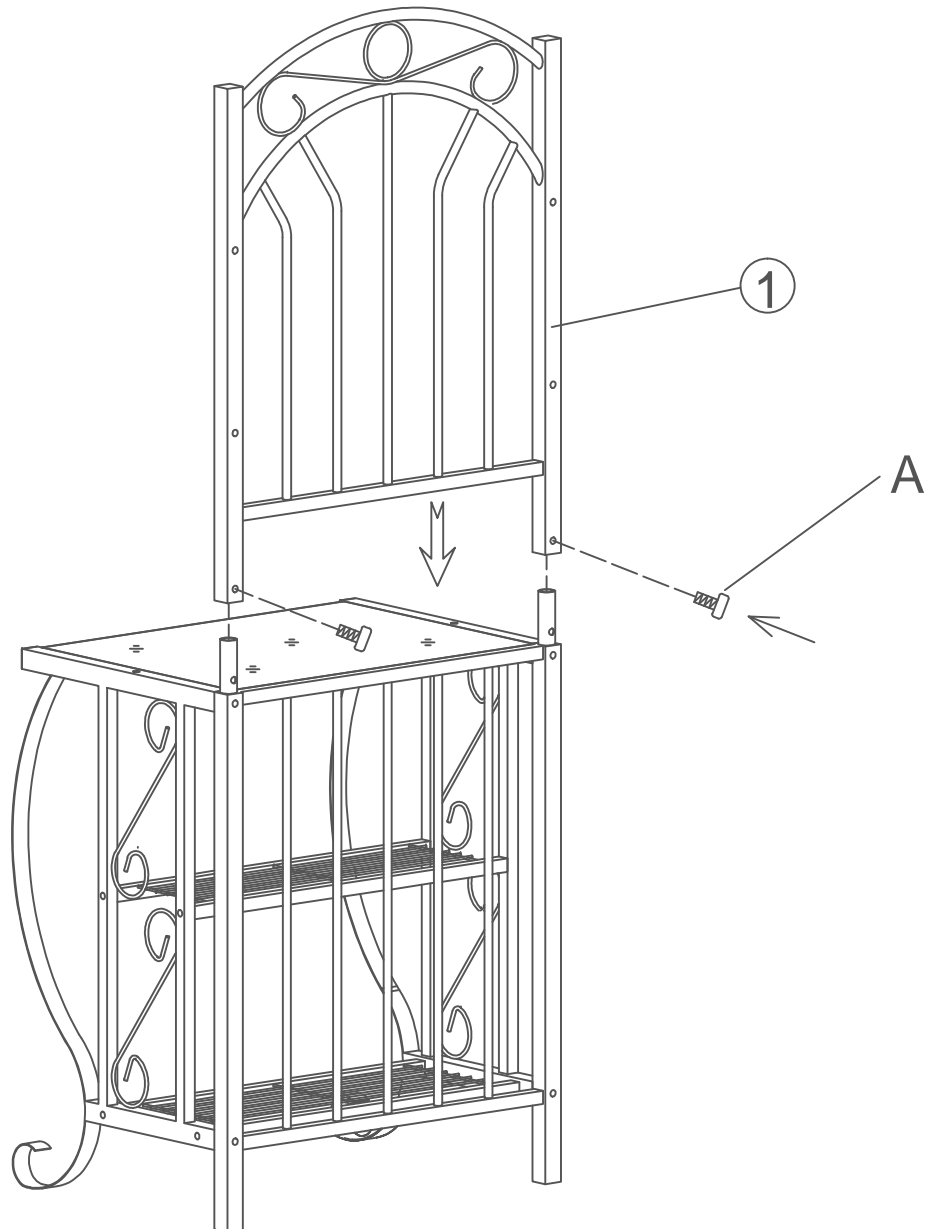
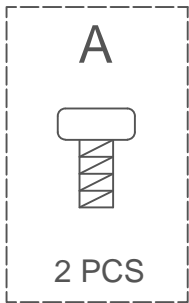


05

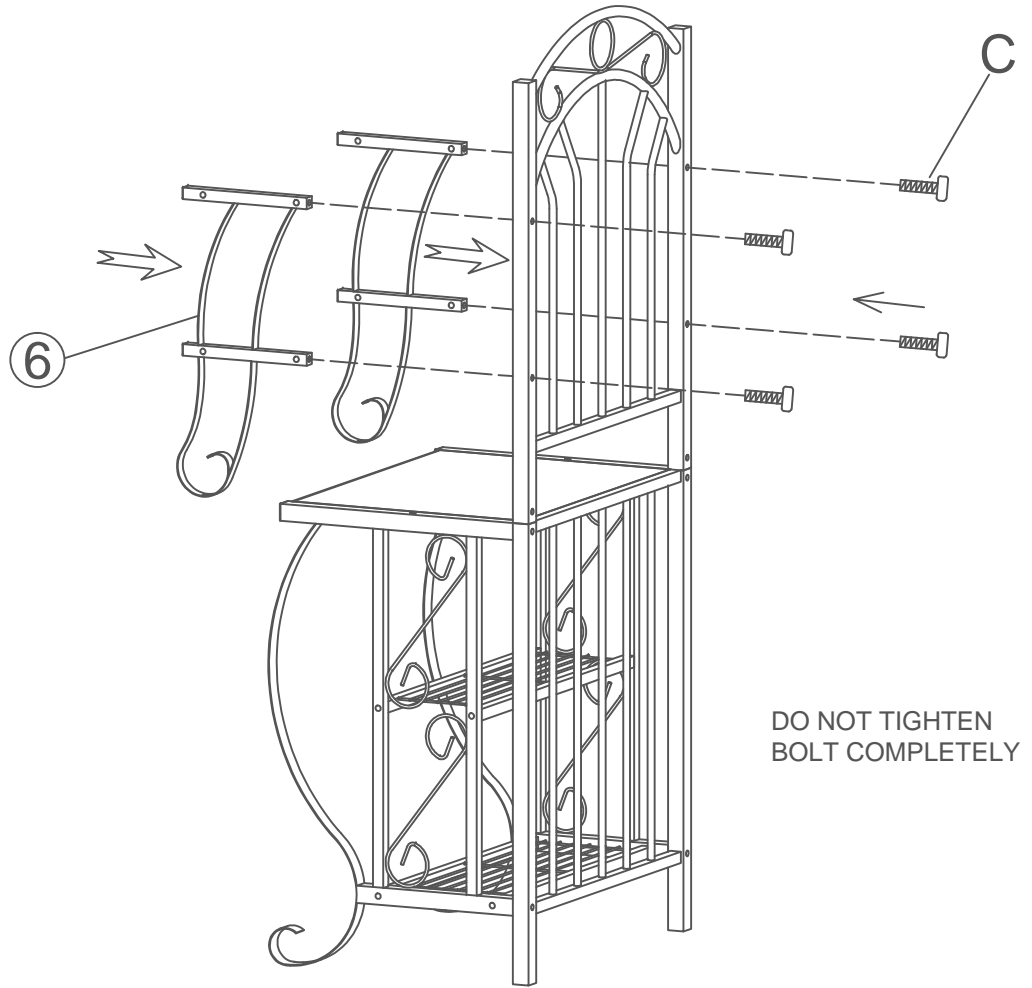
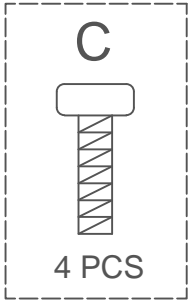


TIGHTEN BOLT COMPLETELY

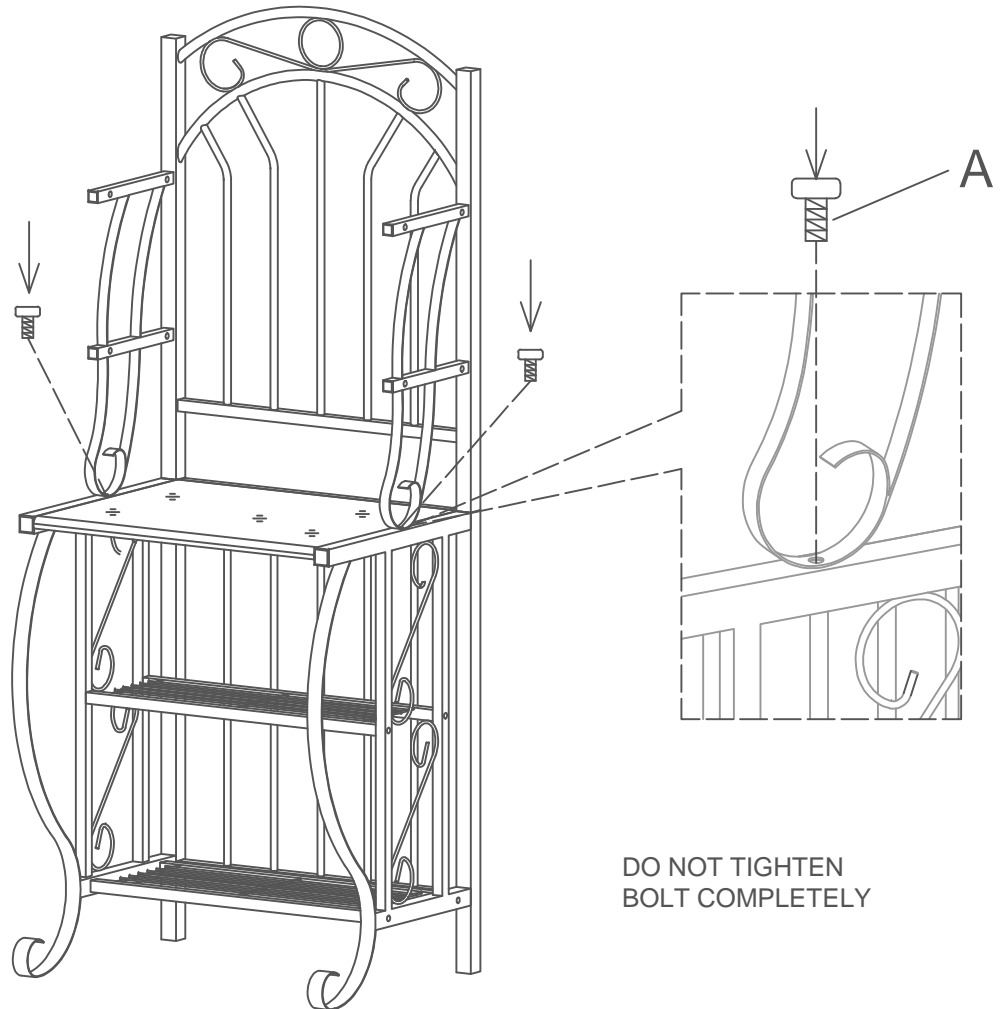
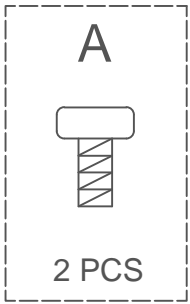
06



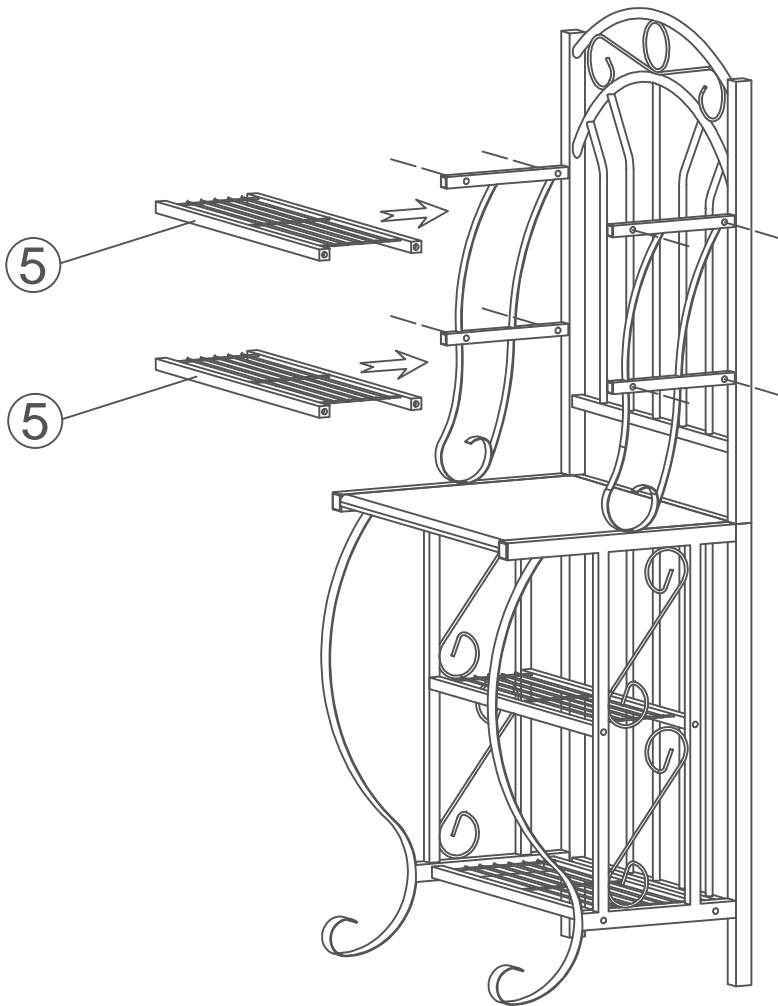
07



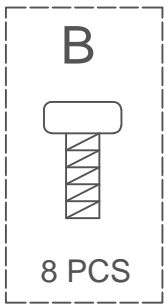
08



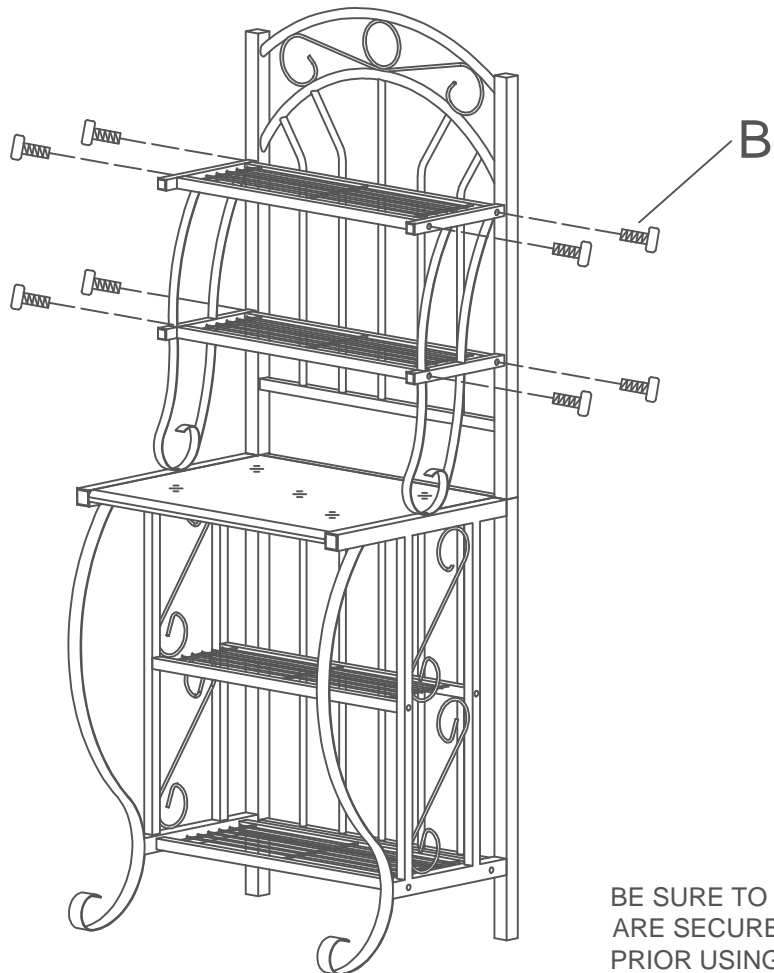
09



10



TIGHTEN BOLT COMPLETELY



BE SURE TO CHECK ALL BOLTS ARE SECURELY TIGHTENED PRIOR USING THIS ITEM

