

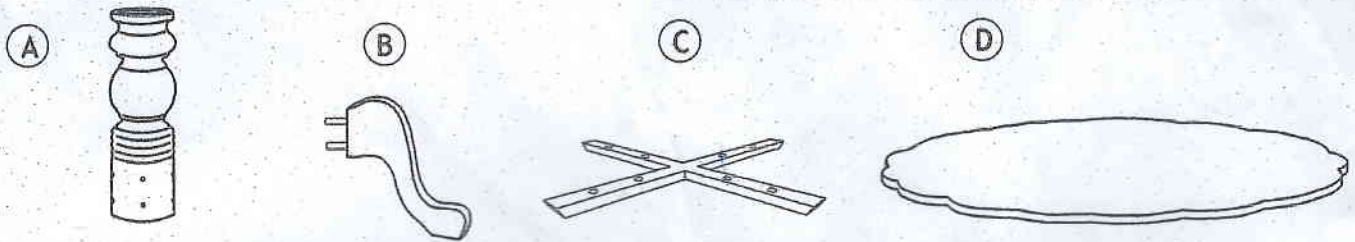
ASSEMBLY INSTRUCTIONS

21055

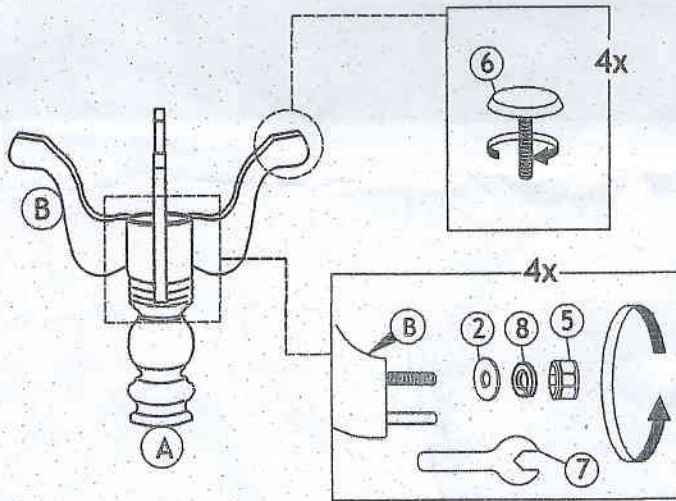
Read this instruction carefully. Refer hardware and furniture parts list for guidance. Be sure all parts are complete, before assembling. Place all wooden furniture part on a clean and flat soft surface to prevent scratched. Refer steps provided as assembling guide.

PART LIST		
ITEM	DESCRIPTION	QTY
A	Pedestal	1 PC
B	Empire Leg	4 PCS
C	Crossbar	1 SET
D	Table Top	1 PC

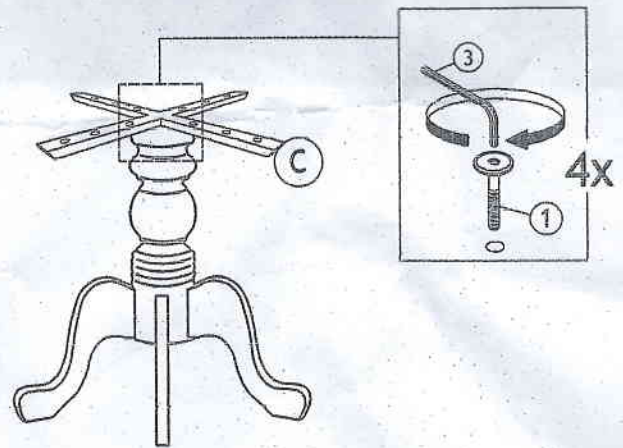
HARDWARE LIST			
ITEM	DESCRIPTION		QTY
1	JCBC Screw M6 x 40mm		4 PCS
2	Flat Washer 5/16		4 PCS
3	Allen Key M4 x 55		1 PC
4	CSK Screw M4 x 30mm		8 PCS
5	Hex Nut 5/16		4 PCS
6	Adjuster M6 x 23mm		4 PCS
7	Spanner 12.8mm		1 PC
8	Spring Washer 5/16		4 PCS



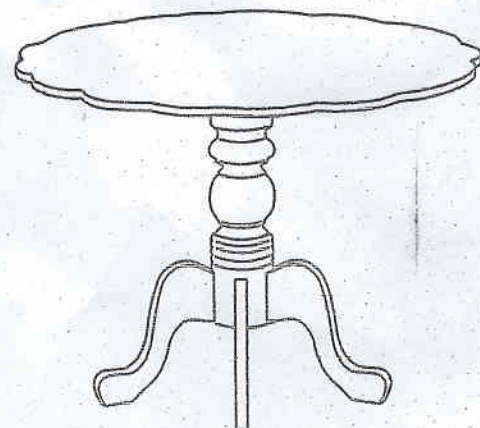
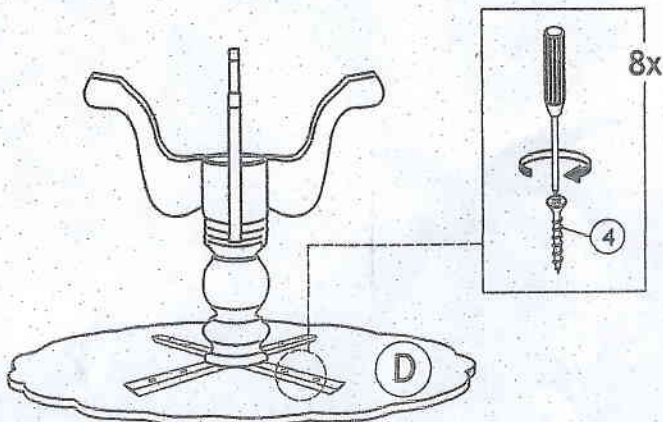
STEP 1



STEP 2



STEP 3



COMPLETED ASSEMBLY