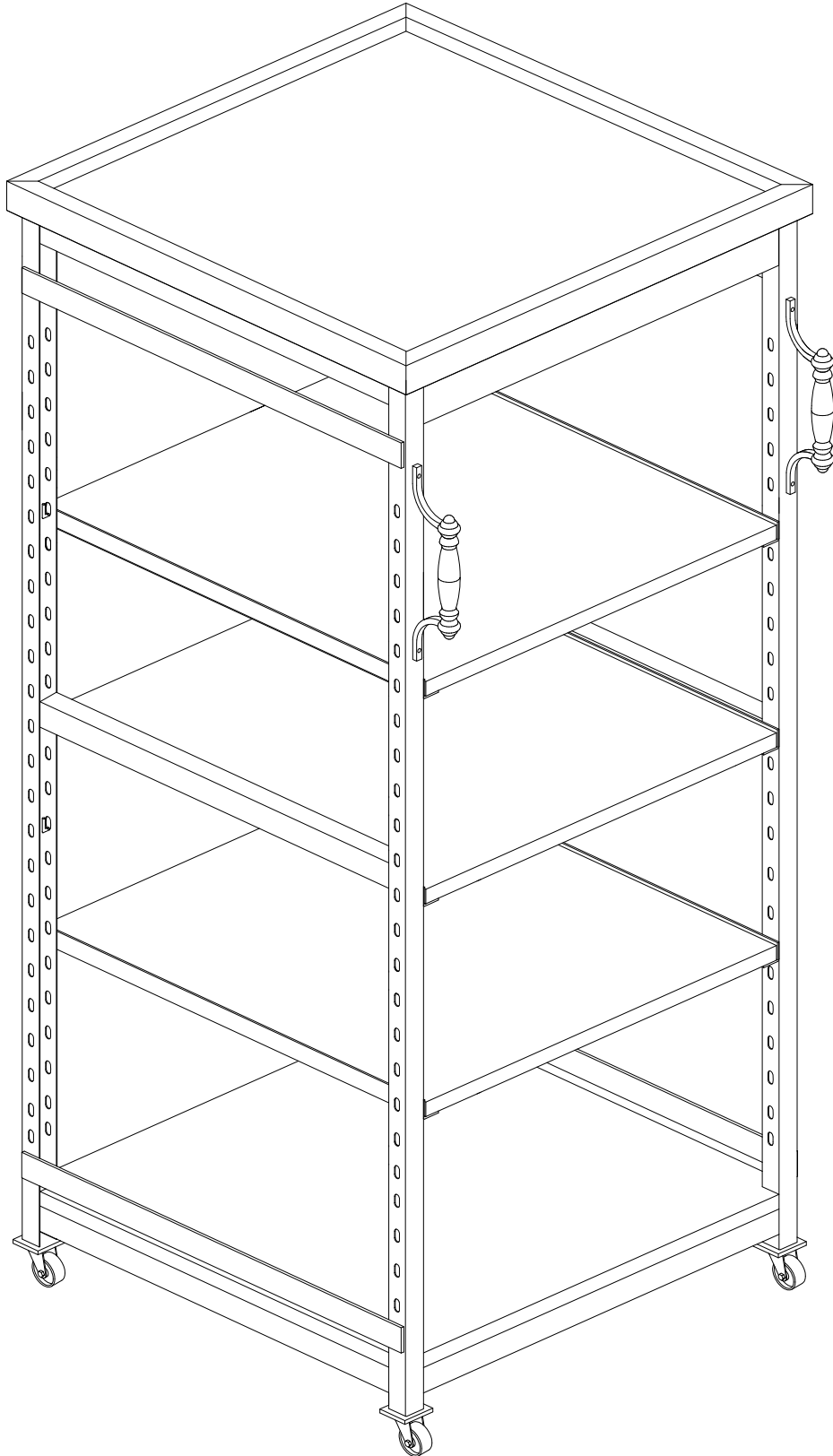




**HAMPTON BOOKSHELF**  
ASSEMBLY INSTRUCTIONS  
**18114**





PLEASE READ ME FIRST



- Have questions about assembling your item?



- Item or parts damaged?



- Missing a part?



- We're here to help!



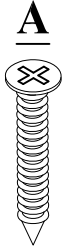
(847)949-6300 (M-F, 9am-5pm CST)



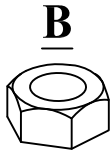
[www.burnhamhomedesign.com](http://www.burnhamhomedesign.com)



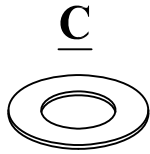
[customerservice@burnhamhomedesign.com](mailto:customerservice@burnhamhomedesign.com)



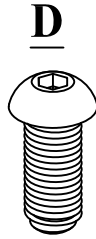
8 PCS



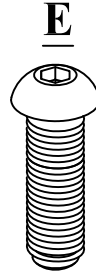
4 PCS



8 PCS



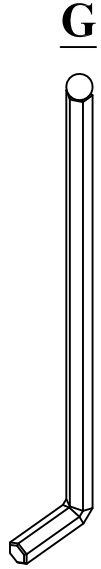
M8\*16  
20 PCS



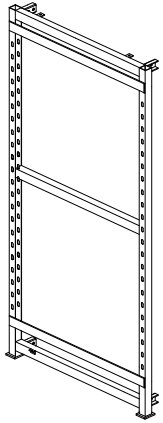
M8\*25  
4 PCS



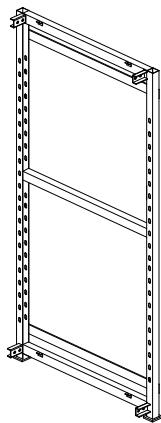
1PC



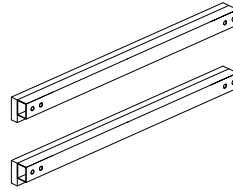
1PC



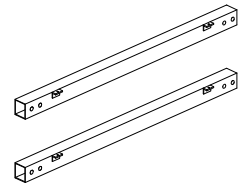
1



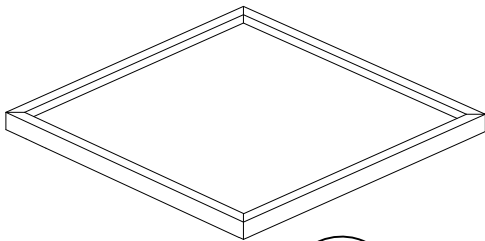
2



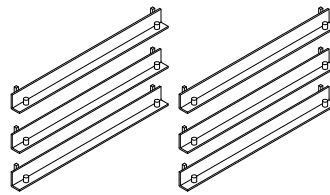
3



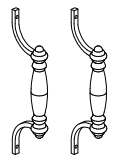
4



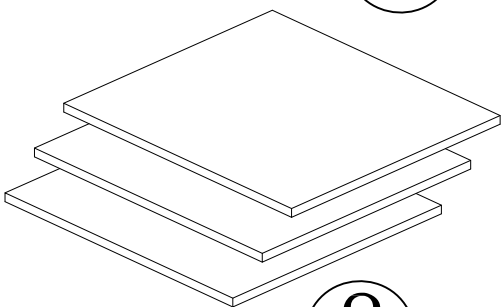
5



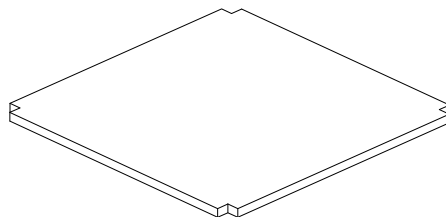
6



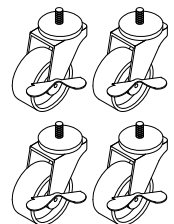
7



8

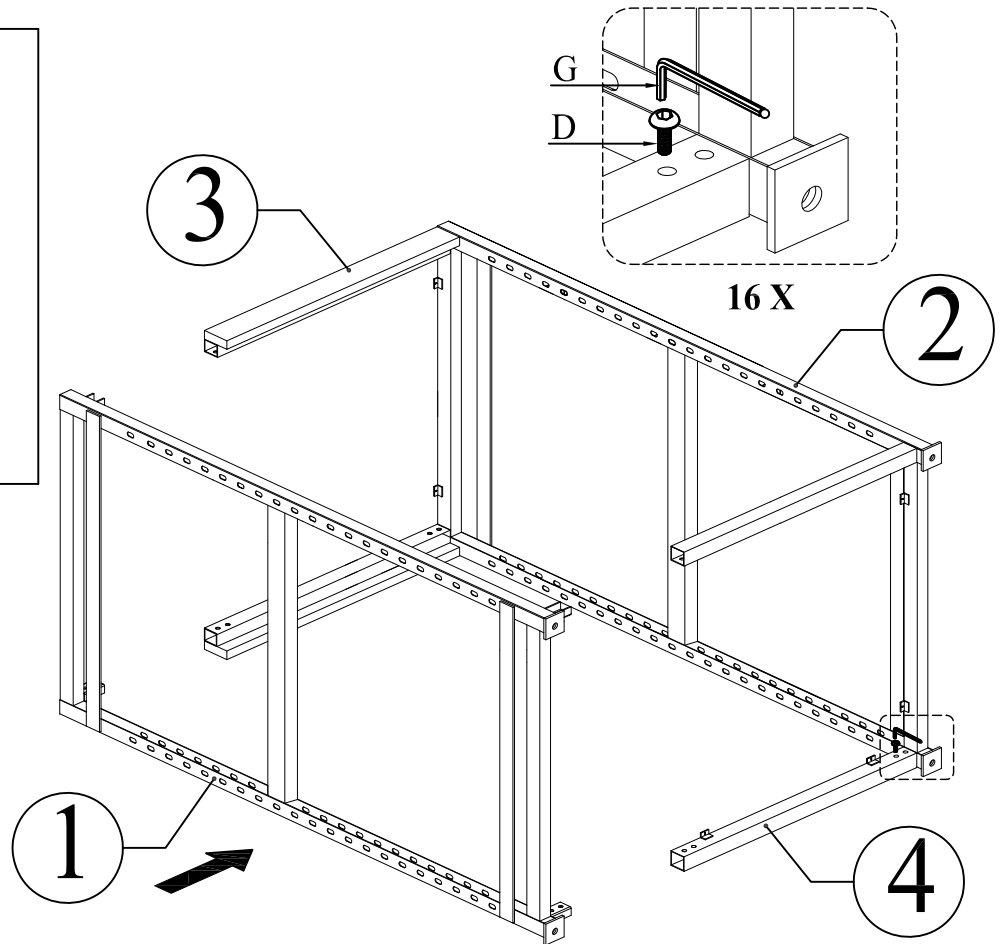
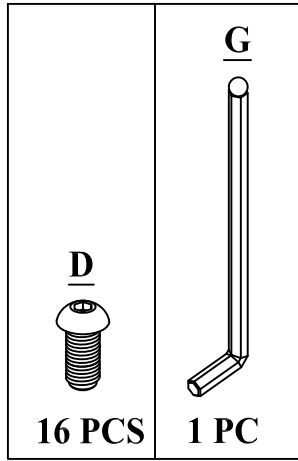


9



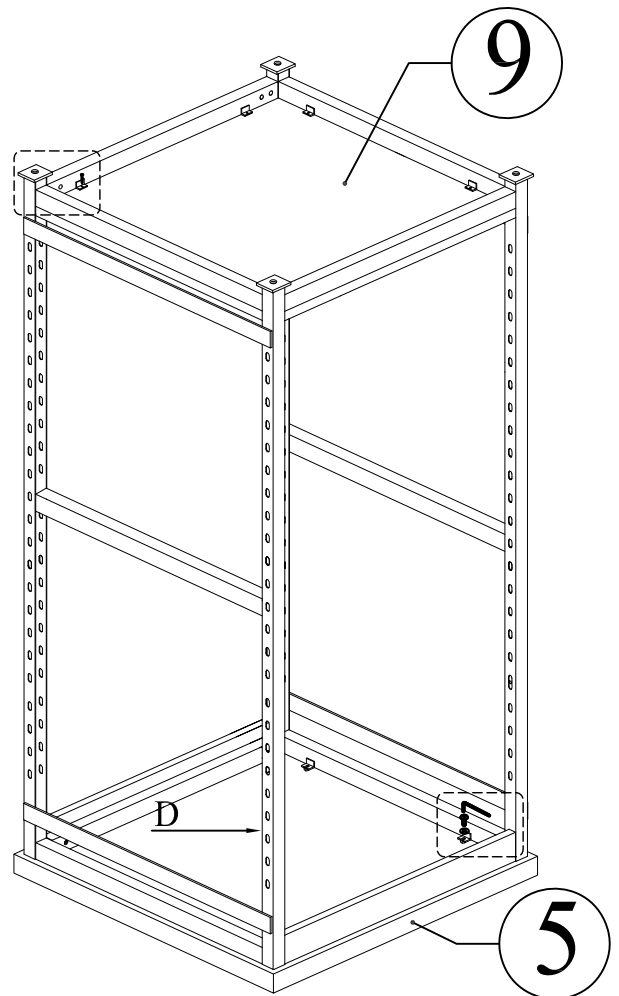
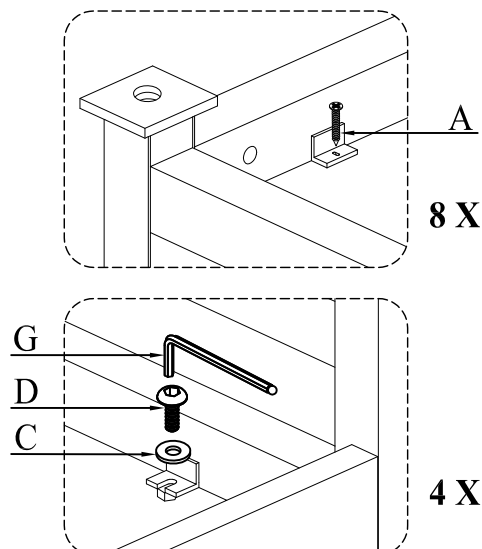
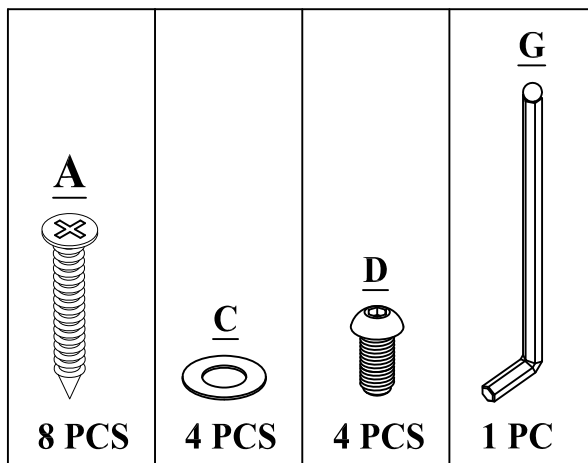
10

# 01



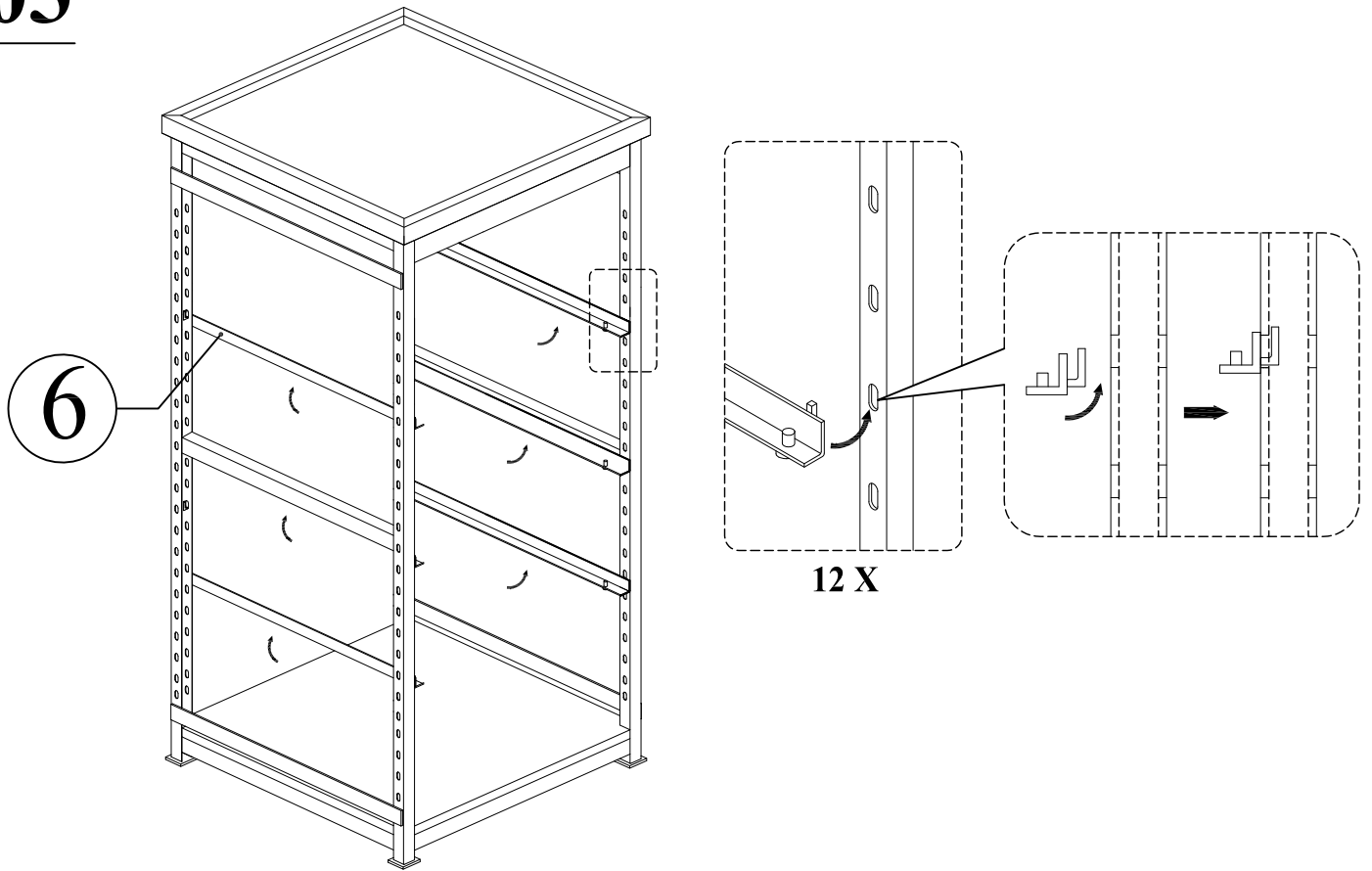
TIGHTEN BOLT COMPLETELY.

# 02

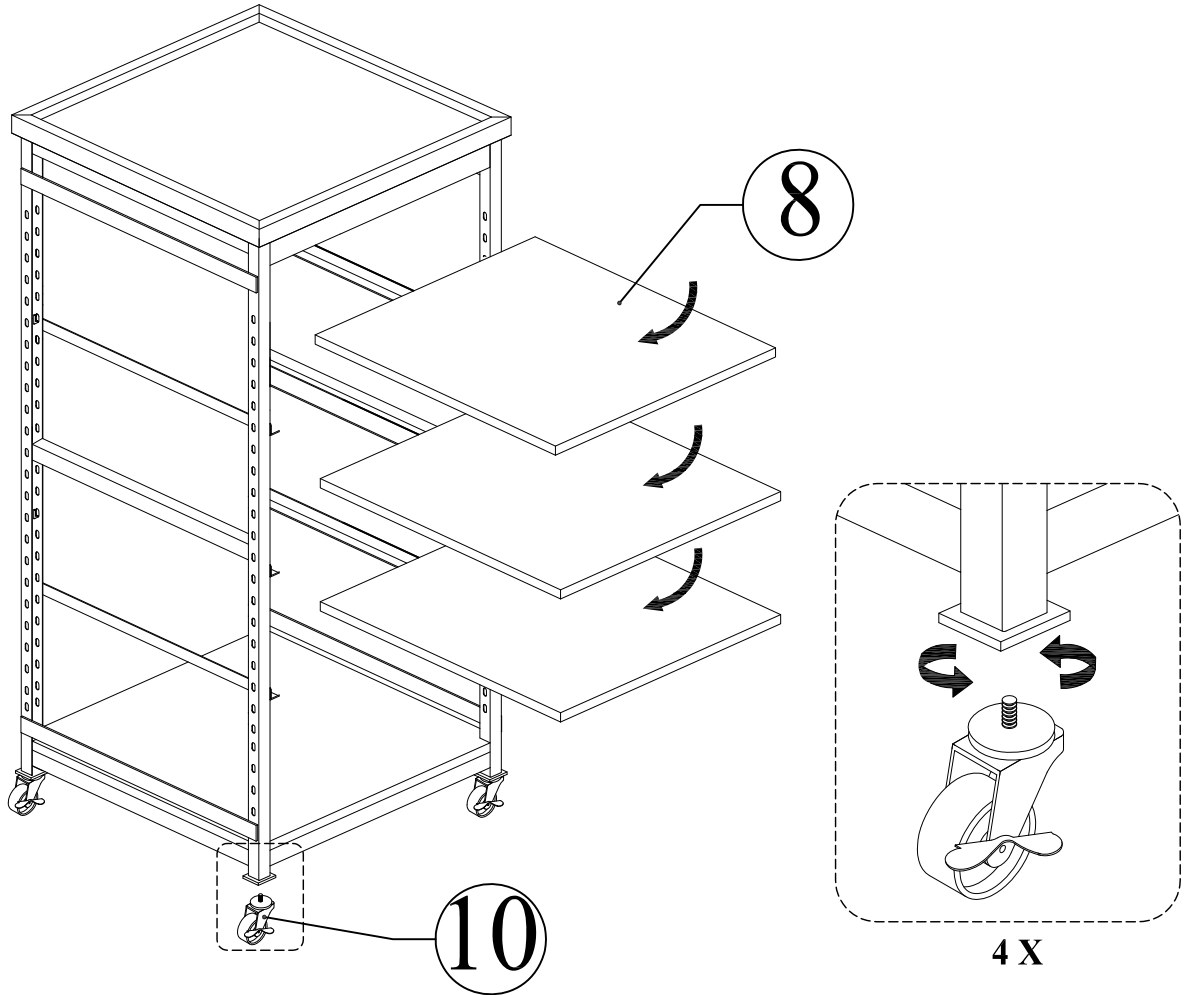


TIGHTEN BOLT COMPLETELY.

**03**



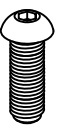
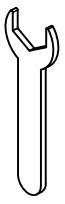



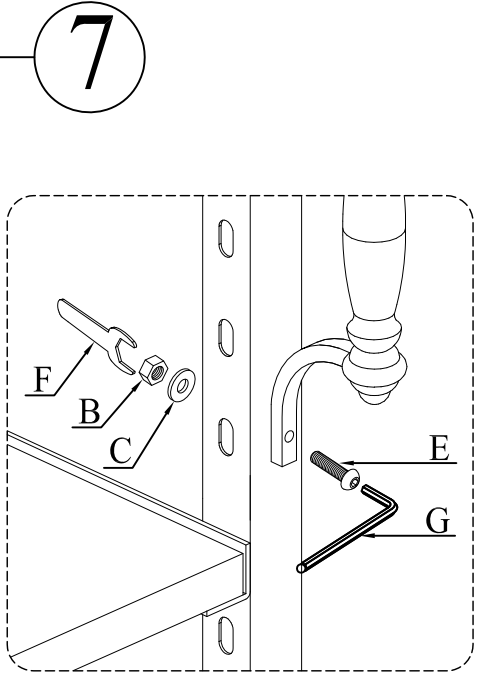
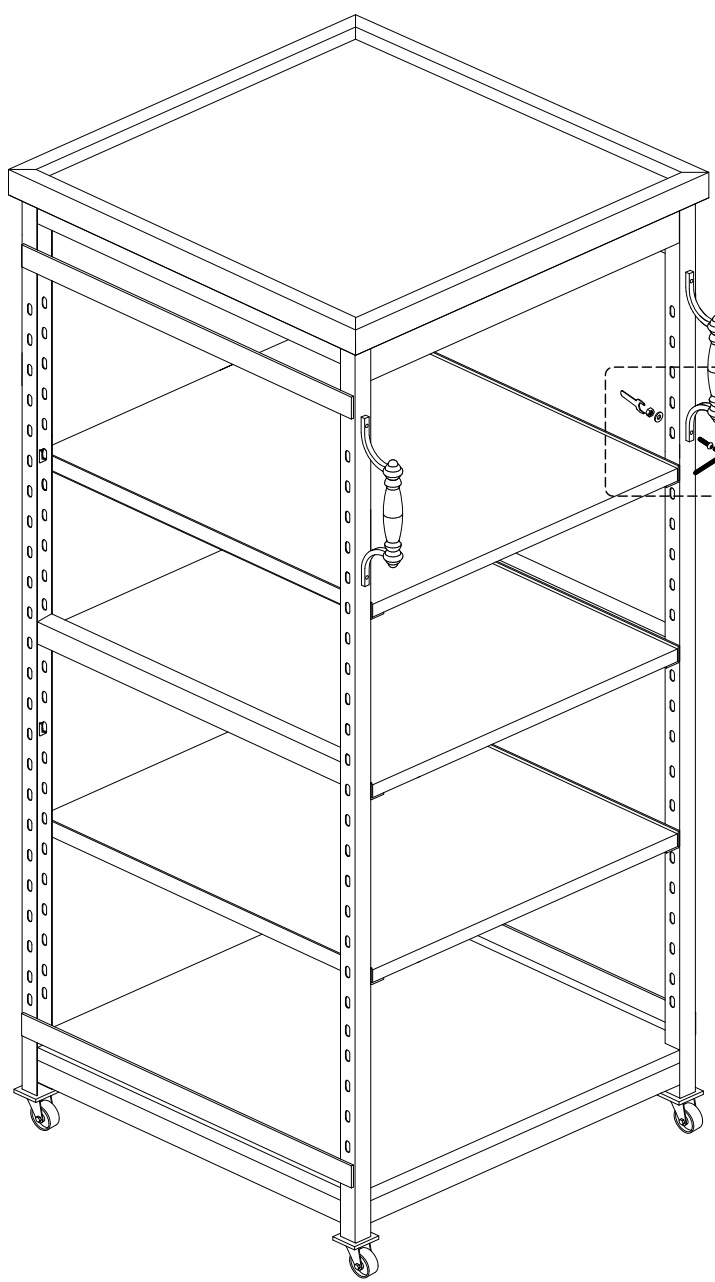
**04**



TIGHTEN BOLT COMPLETELY.

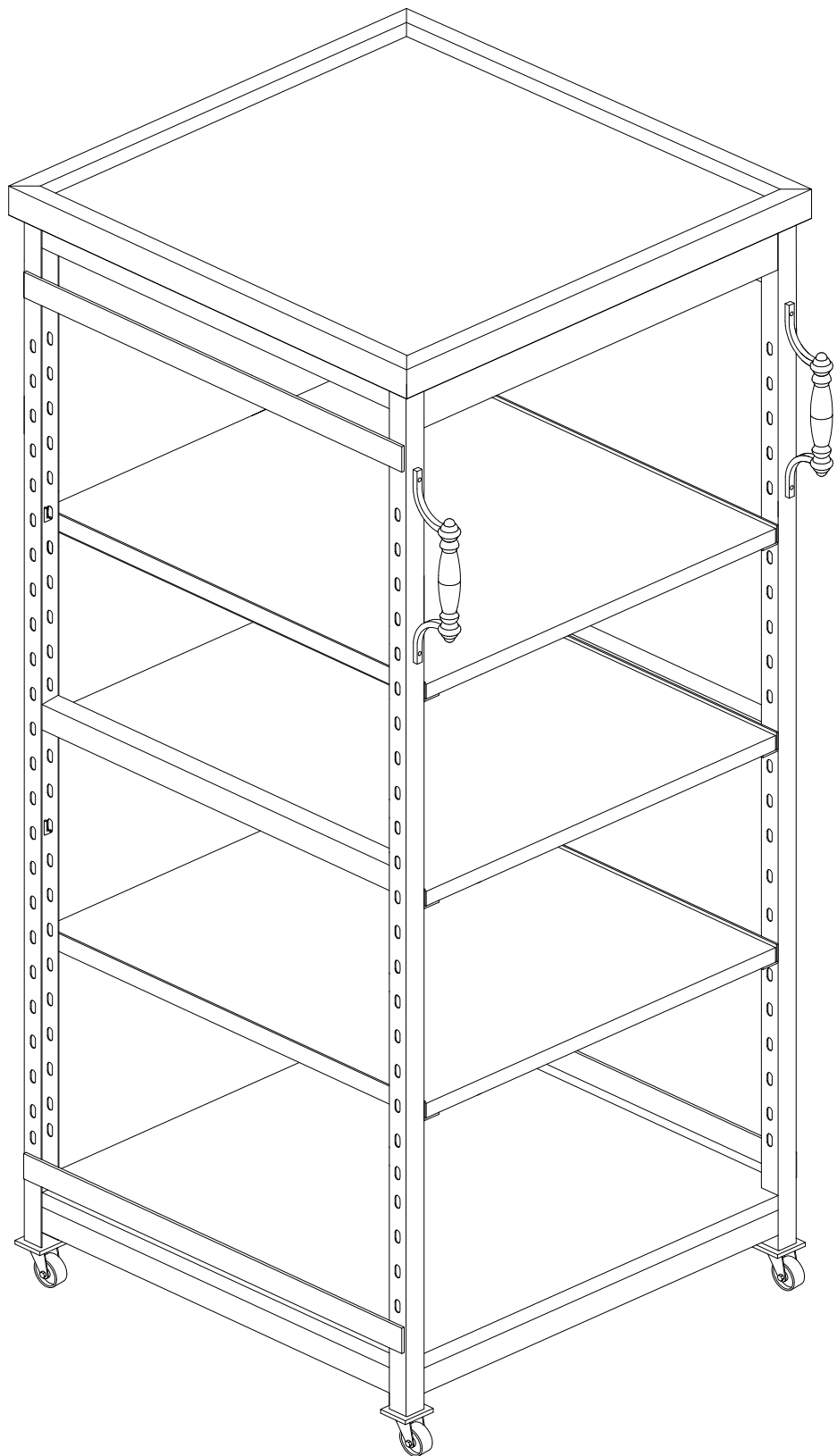
**05**

 <b>B</b> 4 PCS	 <b>C</b> 4 PCS	 <b>E</b> 4 PCS	 <b>F</b> 1 PC	 <b>G</b> 1 PC
--	--	--	---	---



**4 X**

TIGHTEN BOLT COMPLETELY.



BE SURE TO CHECK ALL BOLTS ARE SECURELY  
TIGHTENED PRIOR USING THIS BOOKSHELF