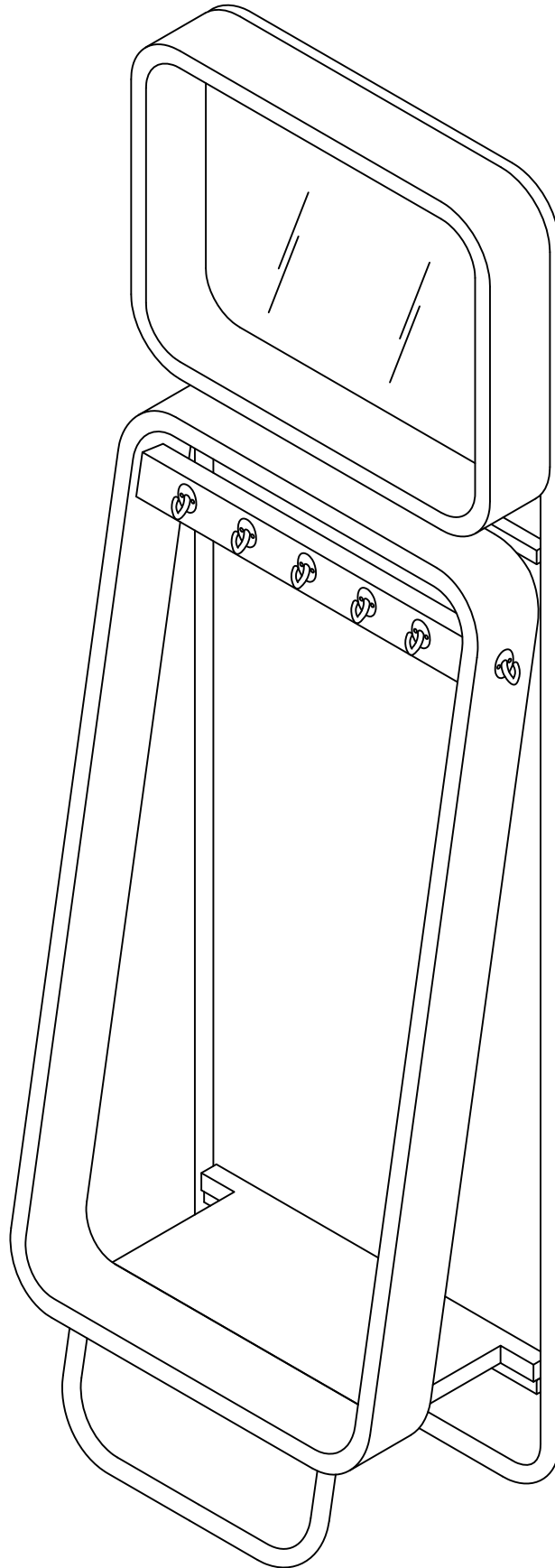




**ARYA HALL TREE**  
ASSEMBLY INSTRUCTIONS  
19014





PLEASE READ ME FIRST



- Have questions about assembling your item?



- Item or parts damaged?



- Missing a part?



- We're here to help!



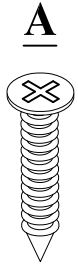
(847)949-6300 (M-F, 9am-5pm CST)



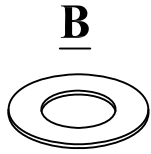
[www.burnhamhomedesign.com](http://www.burnhamhomedesign.com)



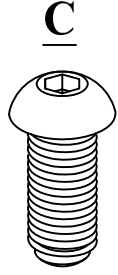
[customerservice@burnhamhomedesign.com](mailto:customerservice@burnhamhomedesign.com)



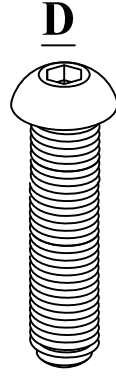
**A**  
**3.5\*45**  
**4 PCS**



**B**  
**10 PCS**



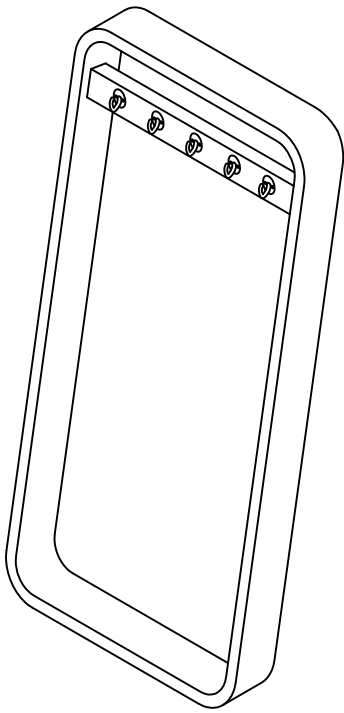
**C**  
**M8\*16**  
**6 PCS**



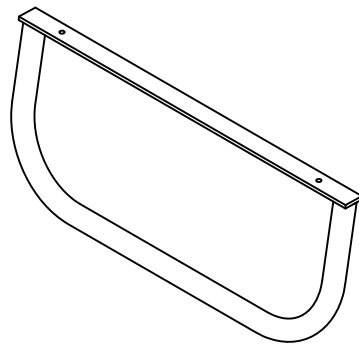
**D**  
**M8\*35**  
**4 PCS**



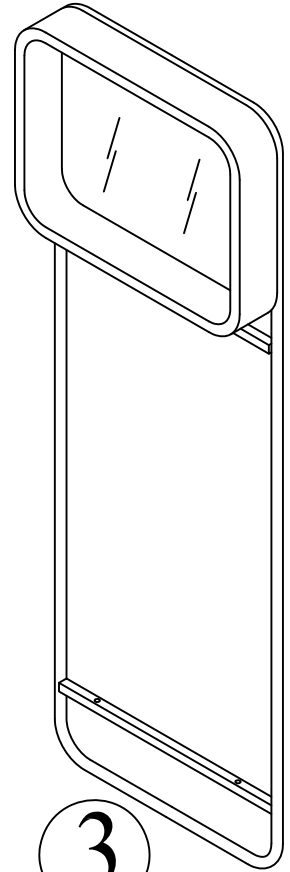
**E**  
**1PC**



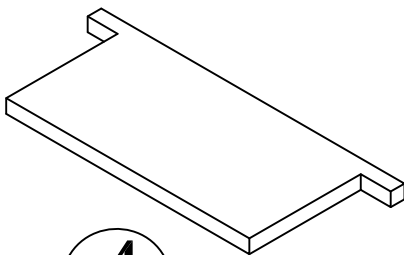
**1**



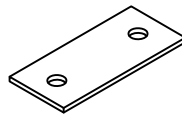
**2**



**3**



**4**

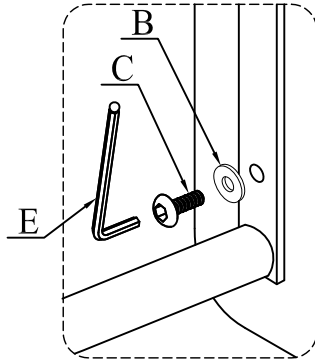
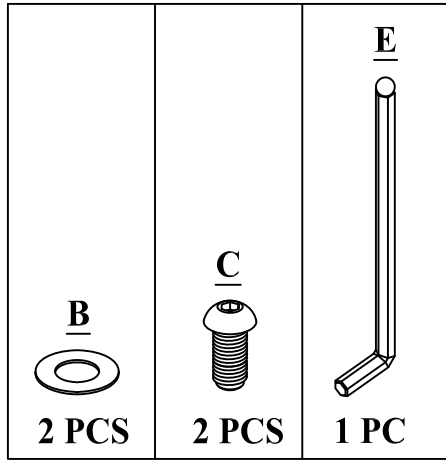


**5**



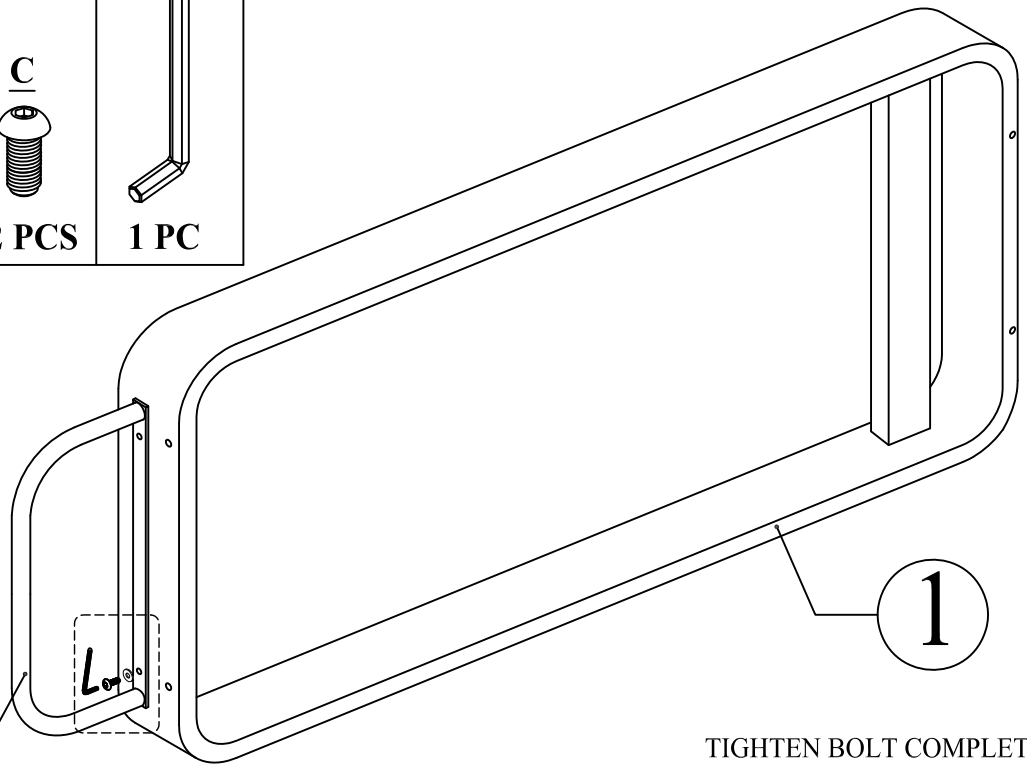
**6**

# 01



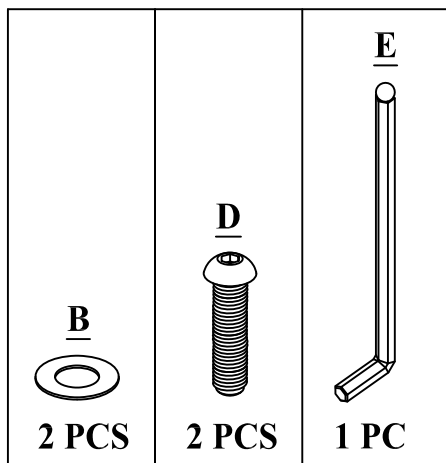
2X

2

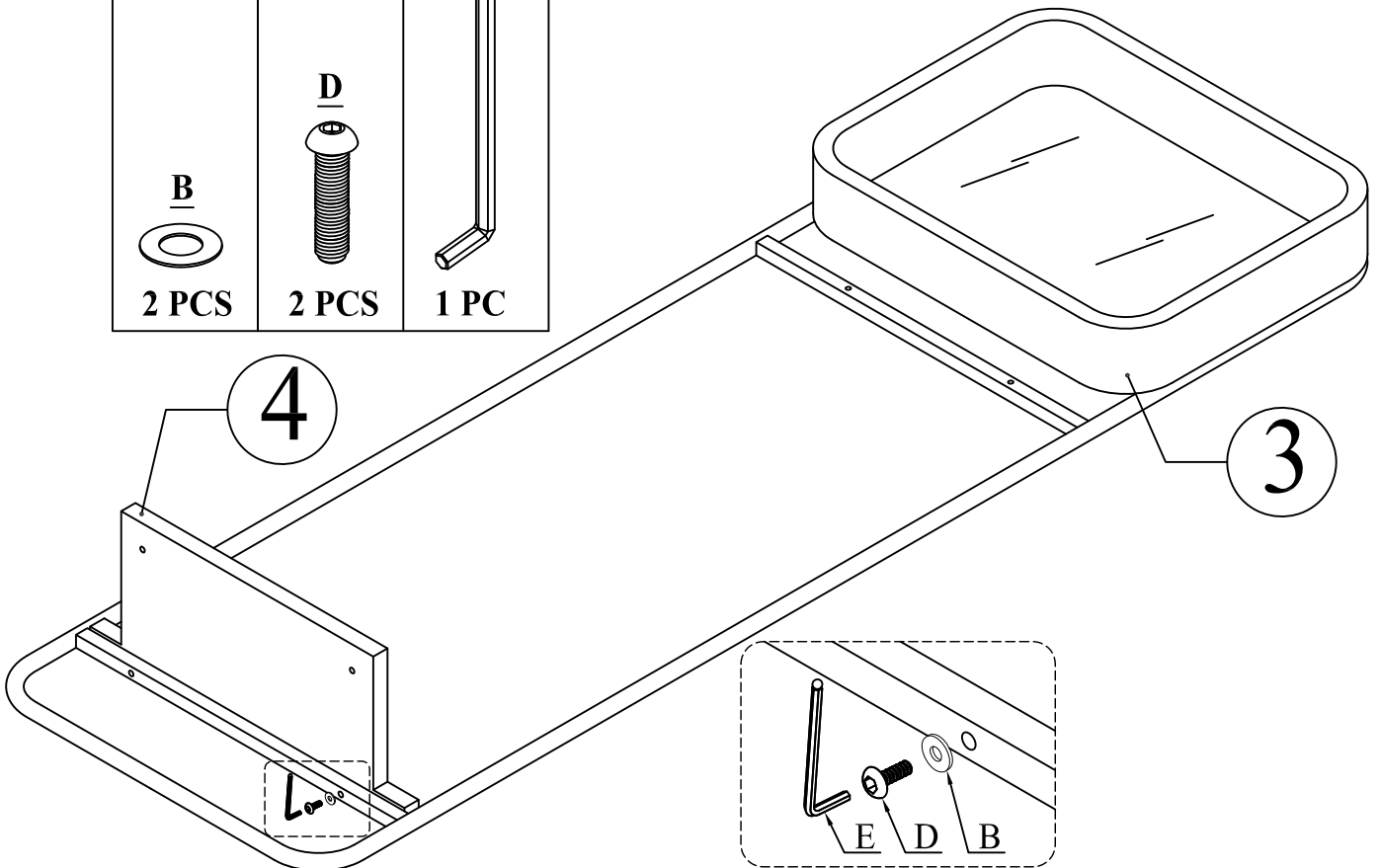


TIGHTEN BOLT COMPLETELY.

# 02



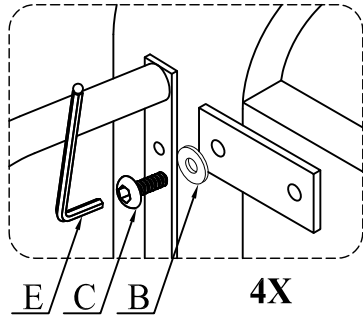
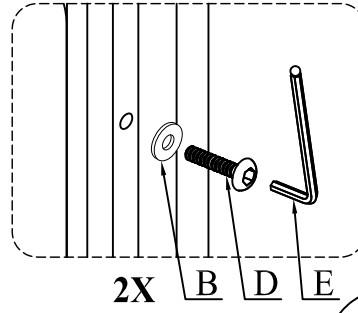
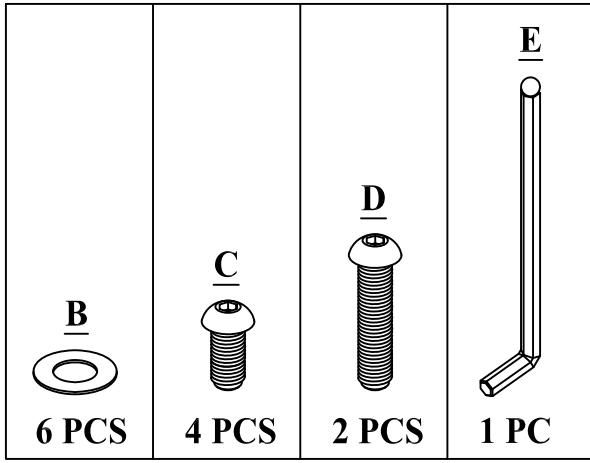
4



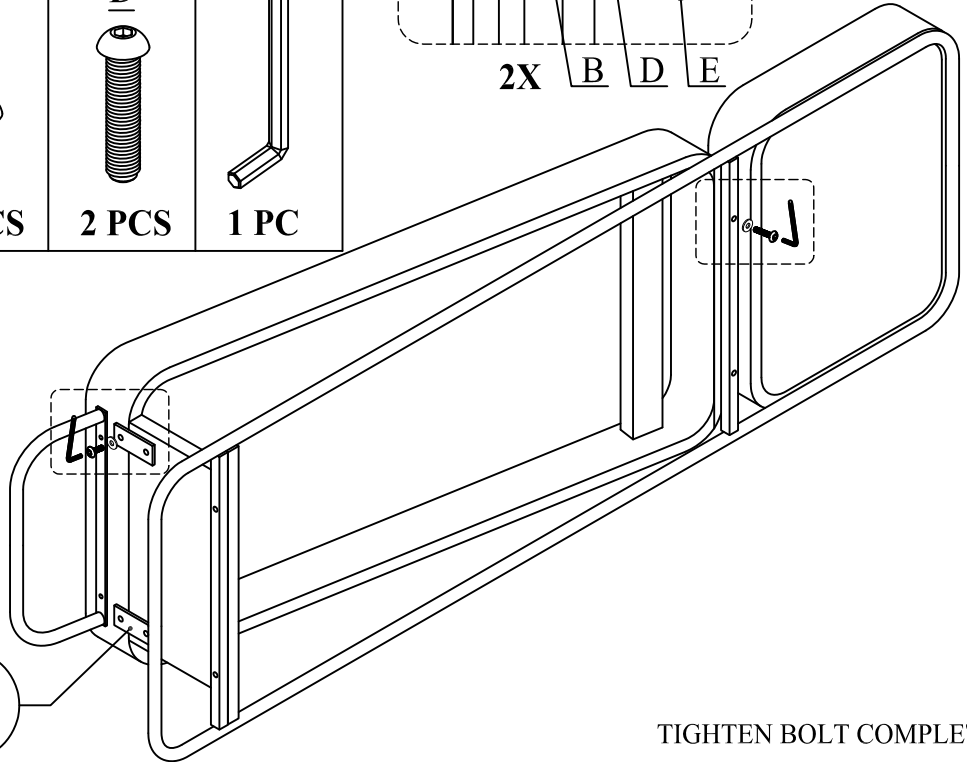
2X

TIGHTEN BOLT COMPLETELY.

# 03

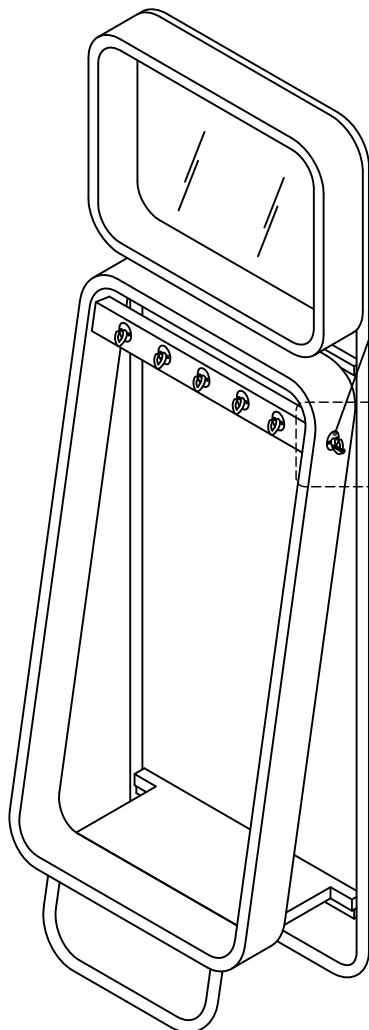
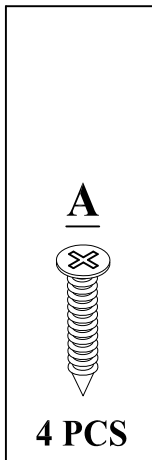


5

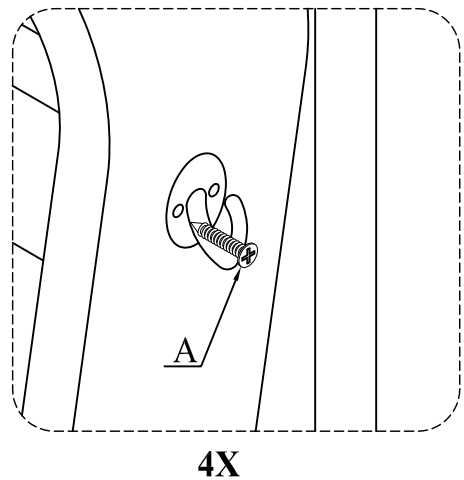


TIGHTEN BOLT COMPLETELY.

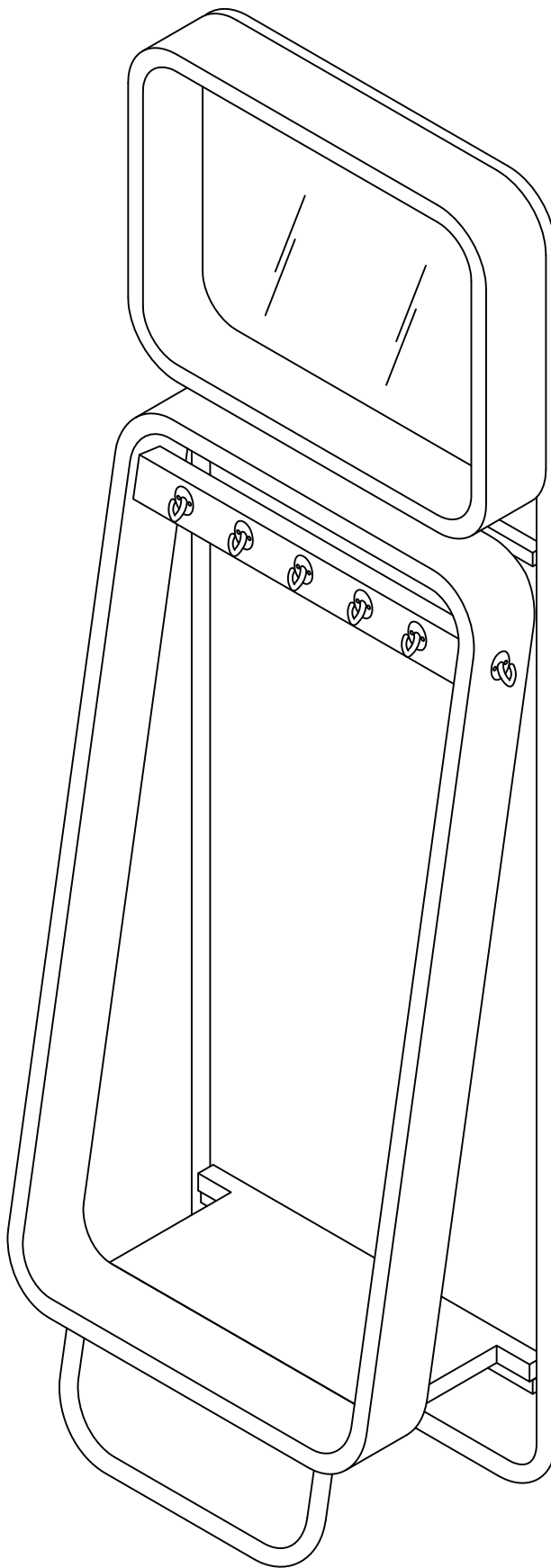
# 04



6






TIGHTEN BOLT COMPLETELY.



BE SURE TO CHECK ALL BOLTS ARE SECURELY  
TIGHTENED PRIOR USING THIS MIRROR

# Tip- Resistant Furniture Safety Brackets

- . Designed to Prevent Furniture Tipped over
- . Detachable Strap Allows for Easy Moving of the Furniture for Cleaning

Hardware List	
	4 PCS
	4 PCS
	2 PCS

