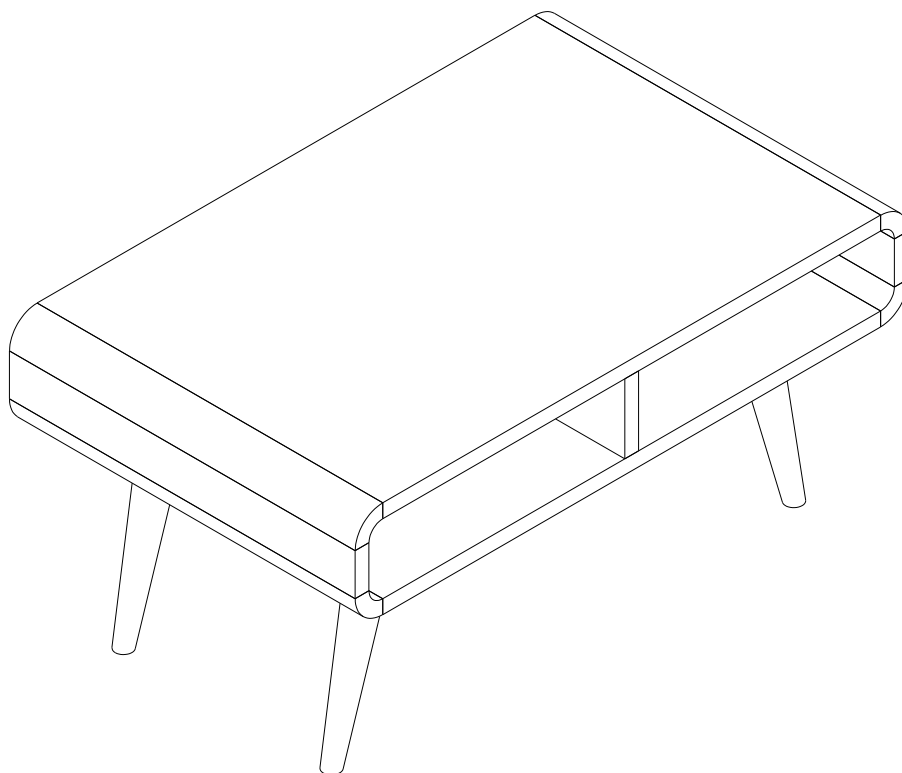




Boraam Industries

ASSEMBLY INSTRUCTIONS

SKU: 32211 | HALMSTAD COFFEE TABLE



Have questions about assembling your item?



Items or parts damaged?



Missing a part?

We're here to help! (Monday-Friday from 9am-5pm CST)



847-949-6300
877-267-2261



customerservice@
boraamindustries.com

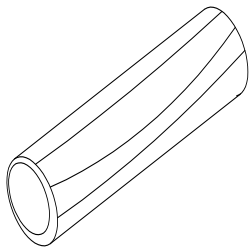


www.boraamindustries.com

Phillips
Screwdriver
(Not provided)

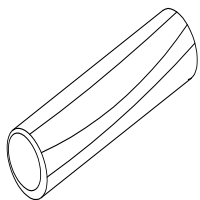


A



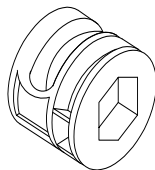
DOWEL
Ø10*30
4 PCS

B



DOWEL
Ø7.5*30
8 PCS

C



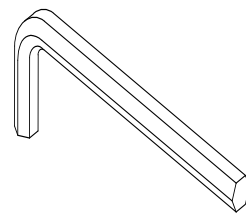
HEAD CAMLOCK
Ø15*12
12 PCS

D

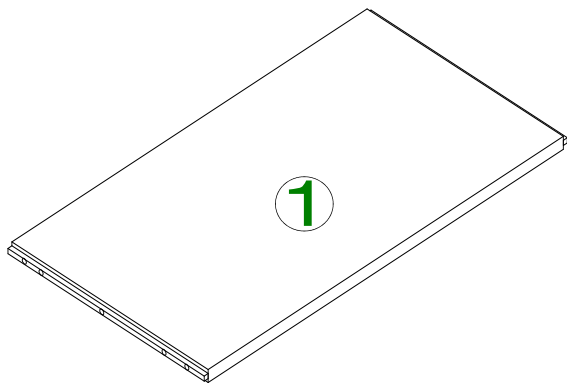


PIPE CAMLOCK
Ø6*35
12 PCS

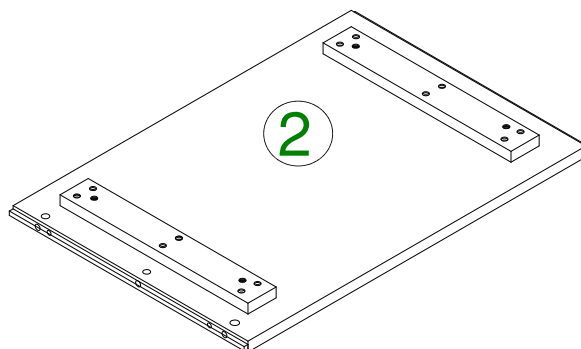
E



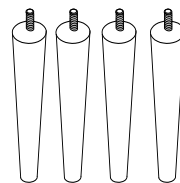
ALLEN KEY
M4*110
1 PC



TOP

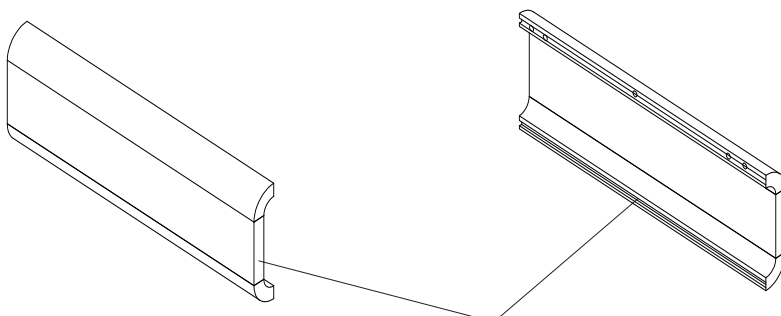


BOTTOM

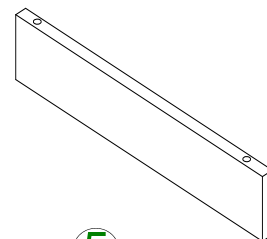


3

LEGS



4
SIDES



5

CENTER

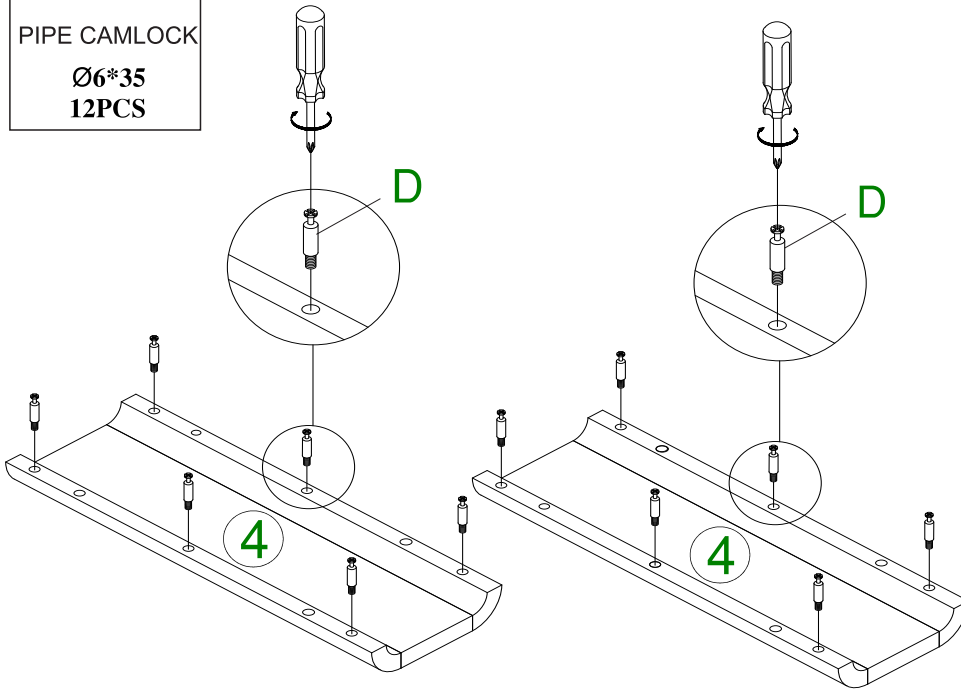
01

D



PIPE CAMLOCK
Ø6*35
12PCS

TIGHTEN PIPE CAMLOCK COMPLETELY.

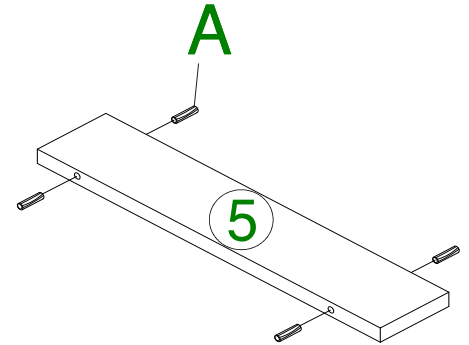


02

A

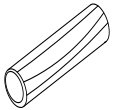


DOWEL
Ø10*30
4 PCS

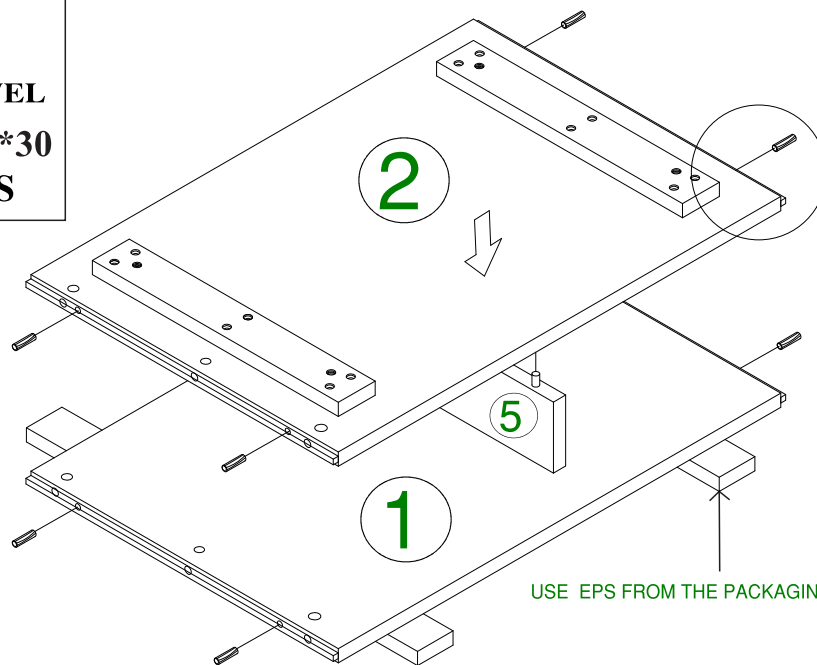


03

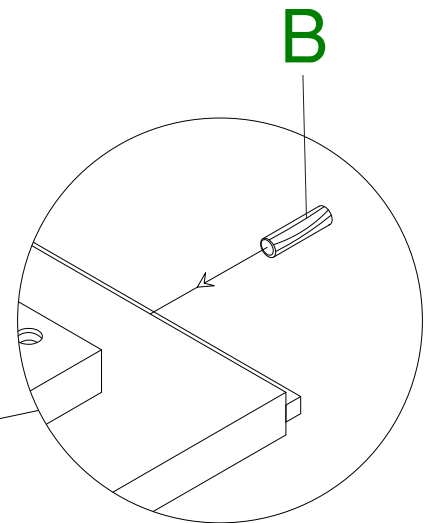
B




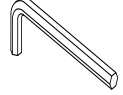
DOWEL
Ø7.5*30
8 PCS

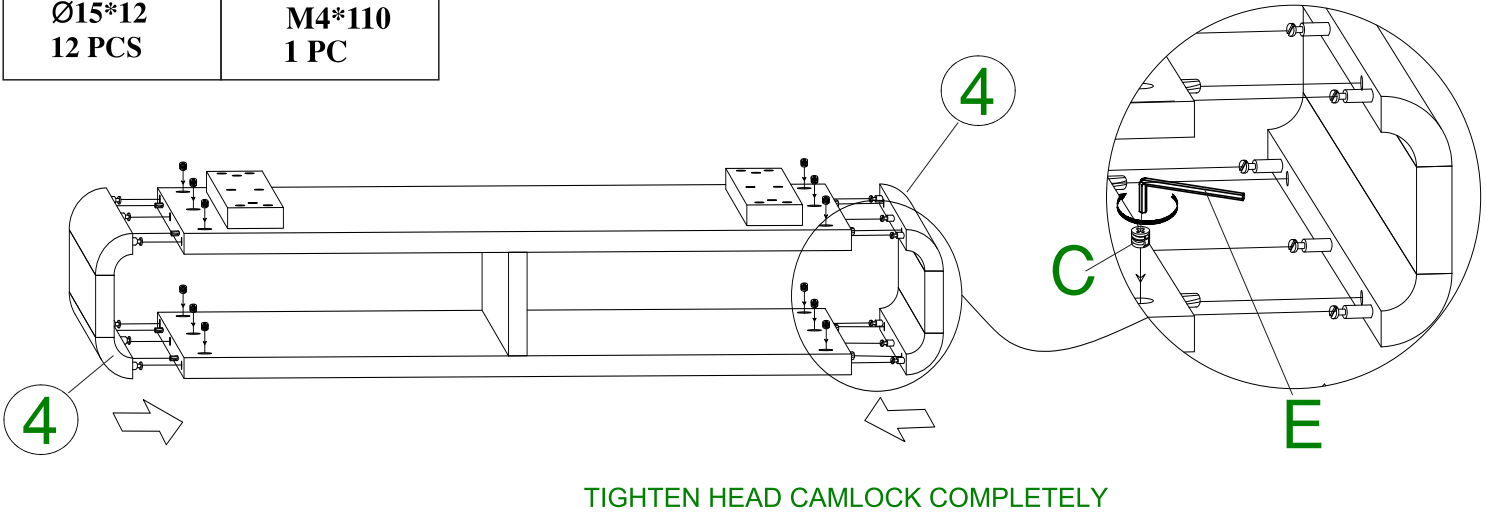


USE EPS FROM THE PACKAGING MATERIAL.

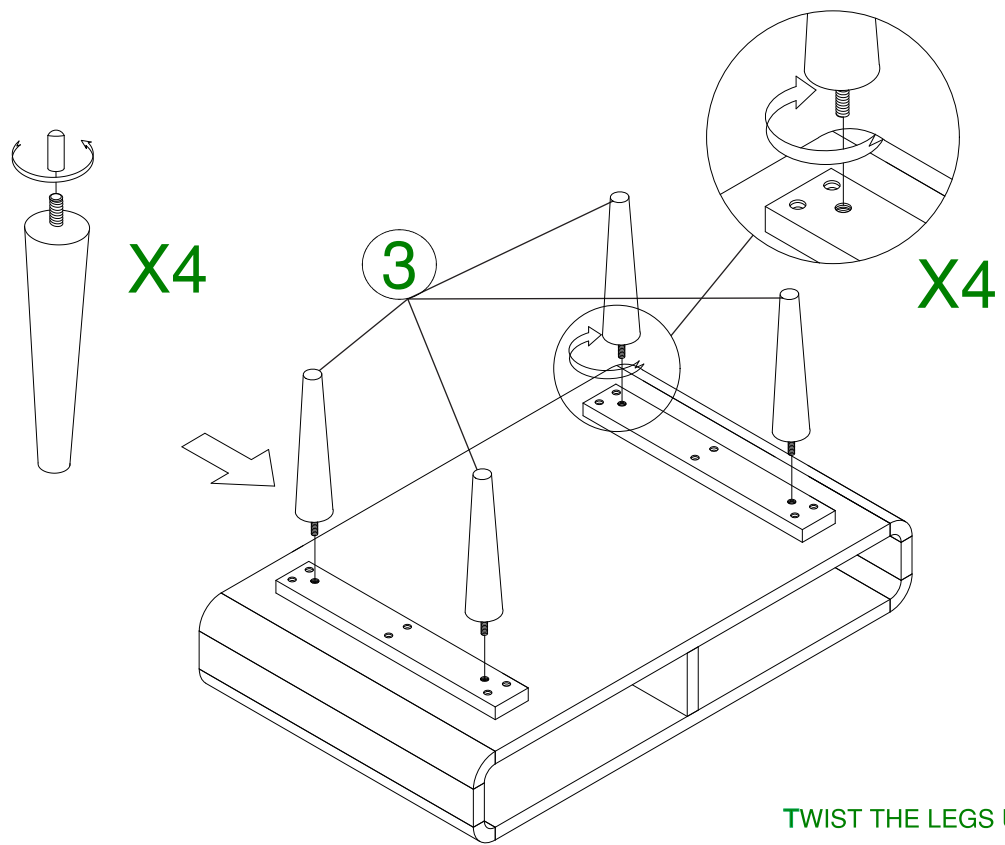


04

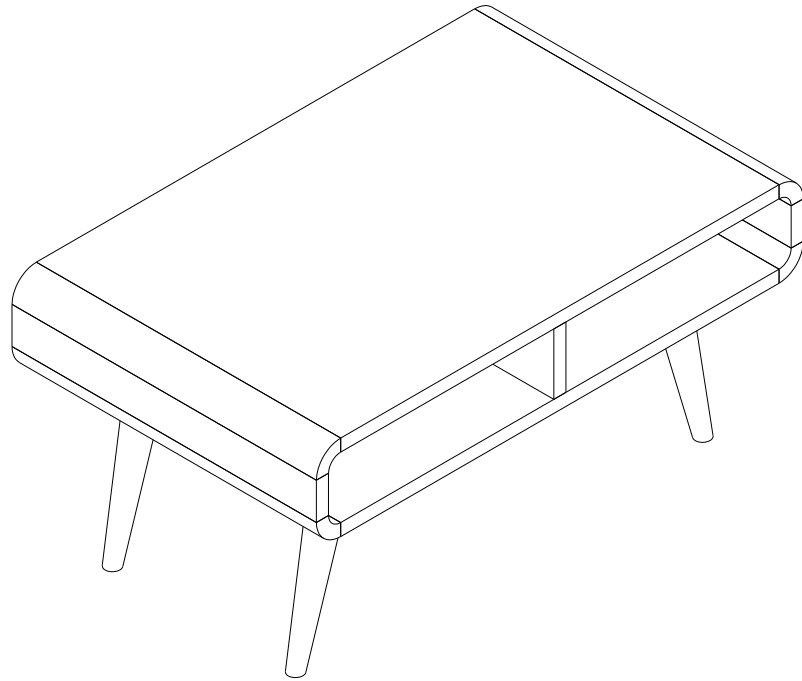
C	E
	
HEAD CAMLOCK Ø15*12 12 PCS	ALLEN KEY M4*110 1 PC



05



06



BE SURE TO CHECK ALL CAMLOCK ARE SECURELY
TIGHTENED PRIOR USING THIS TABLE.