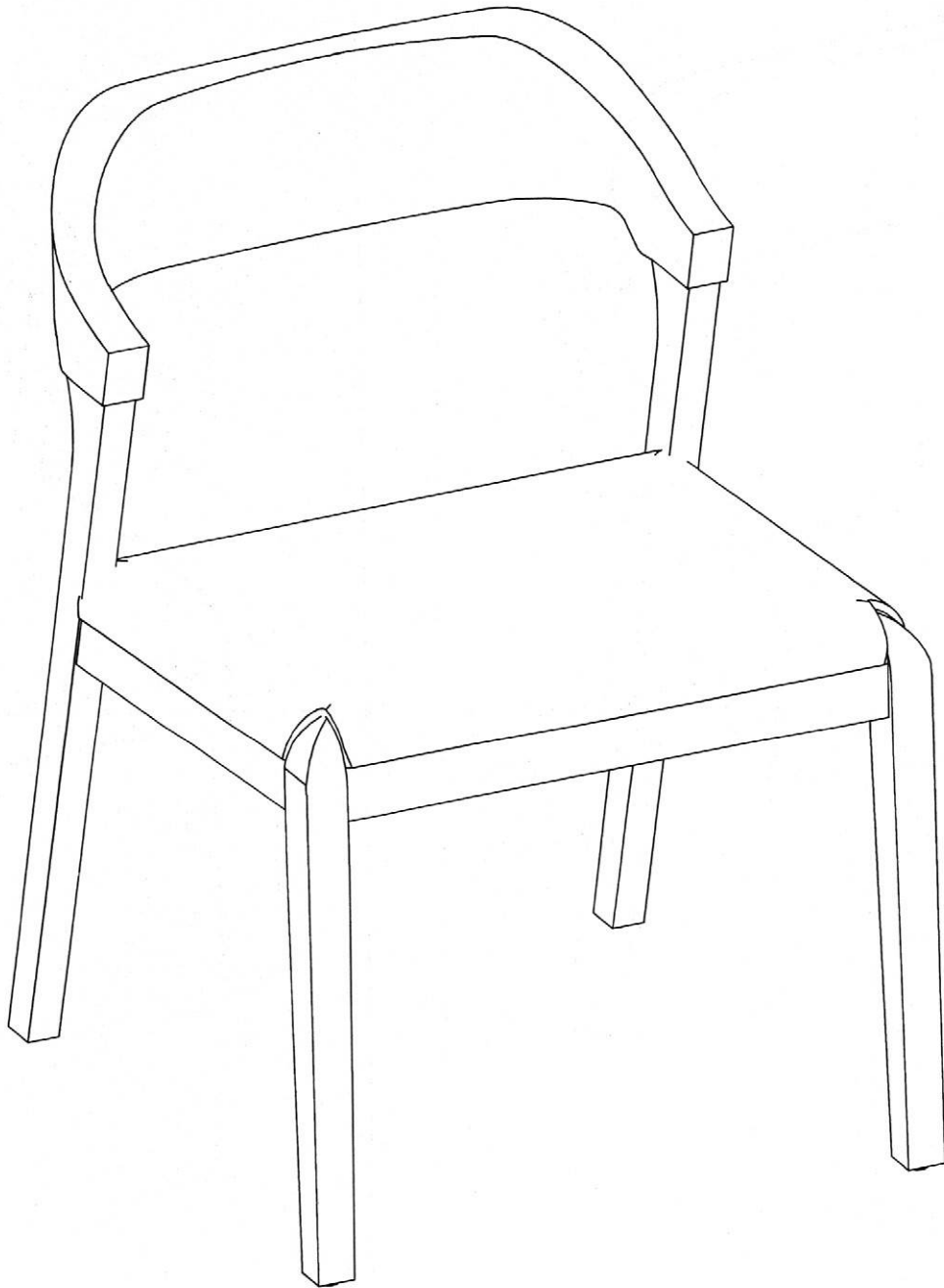




Boraam Industries

RASMUS DINING CHAIR

ASSEMBLY INSTRUCTIONS





PLEASE READ ME FIRST



- Have questions about assembling your item?




- Item or parts damaged?



- Missing a part?



- We're here to help!

 (847)949-6300 (M-F, 9am-5pm CST)



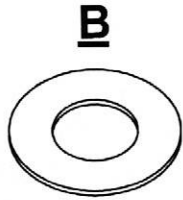
www.boraamindustries.com



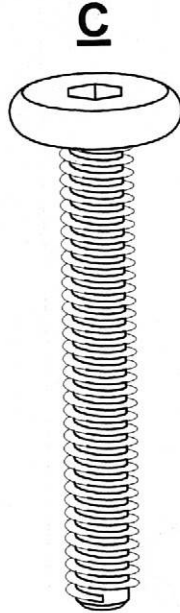
customerservice@boraamindustries.com



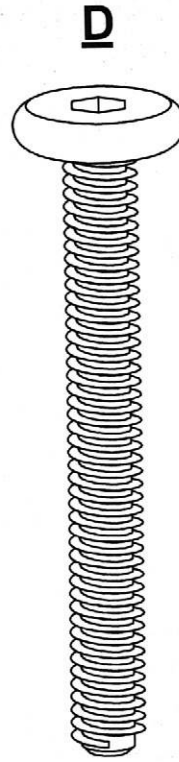
A
M8*10
8 PCS



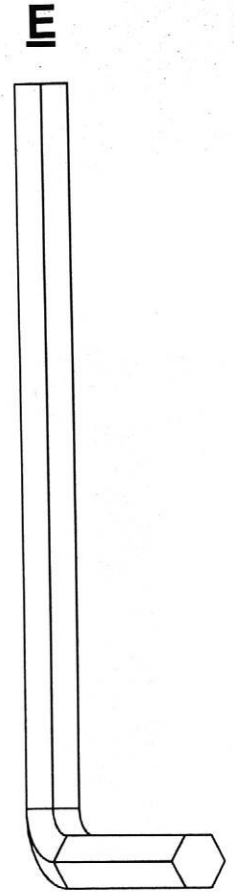
B
M8*16
8 PCS



C
M8*50
2 PCS

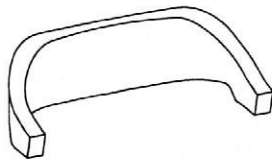


D
M8*70
8 PCS

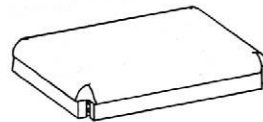


E
M4*110
1 PC

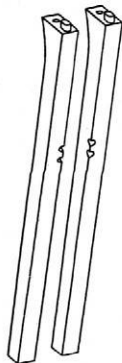
1



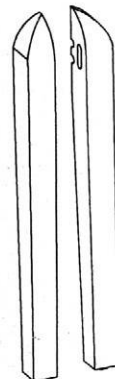
2



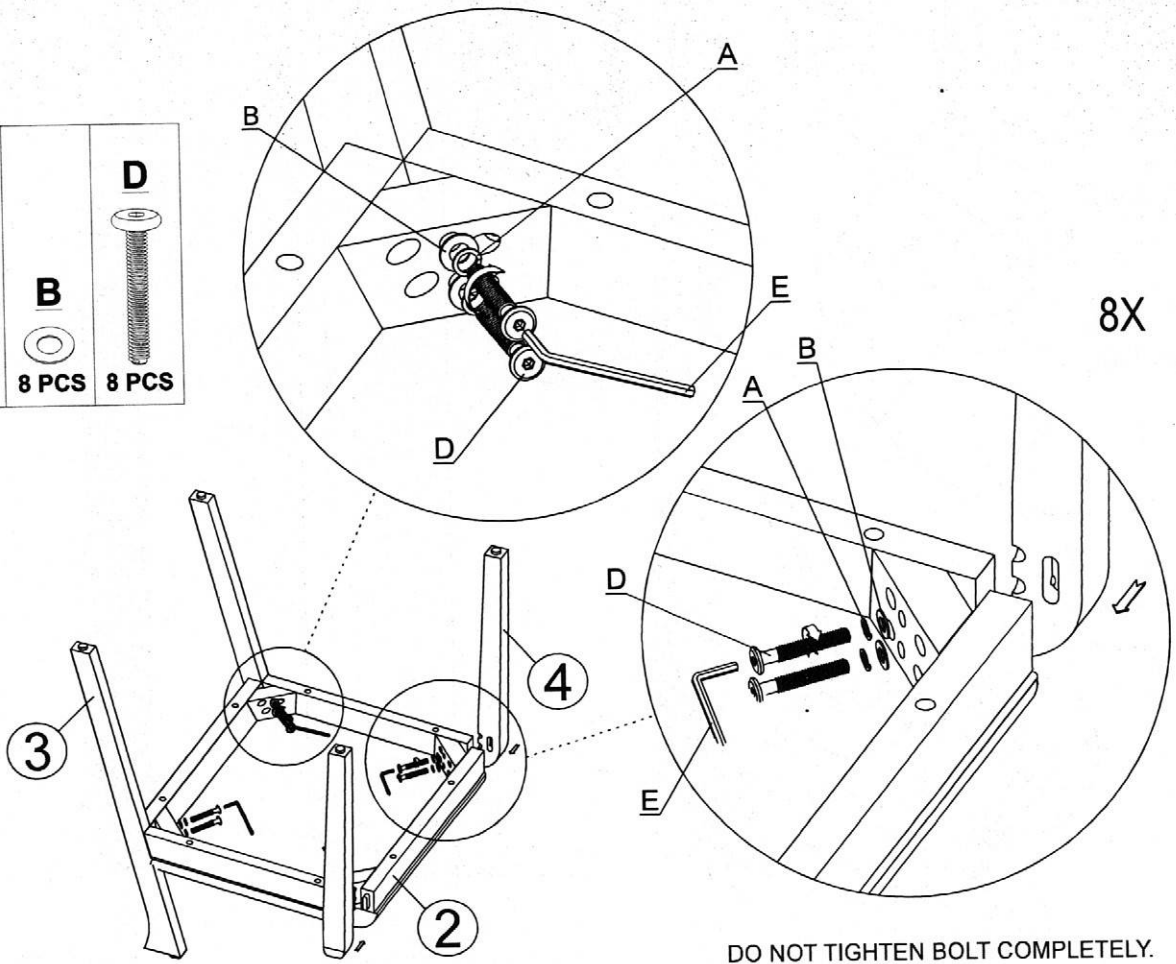
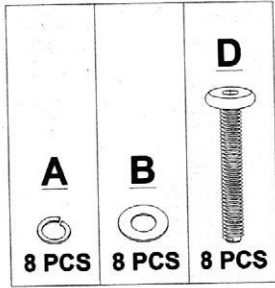
3



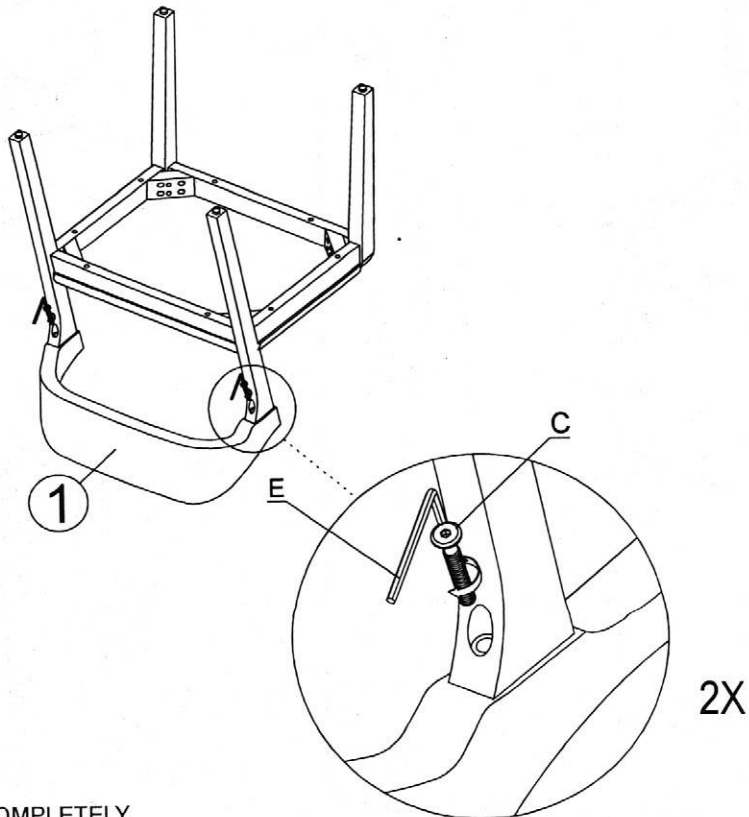
4

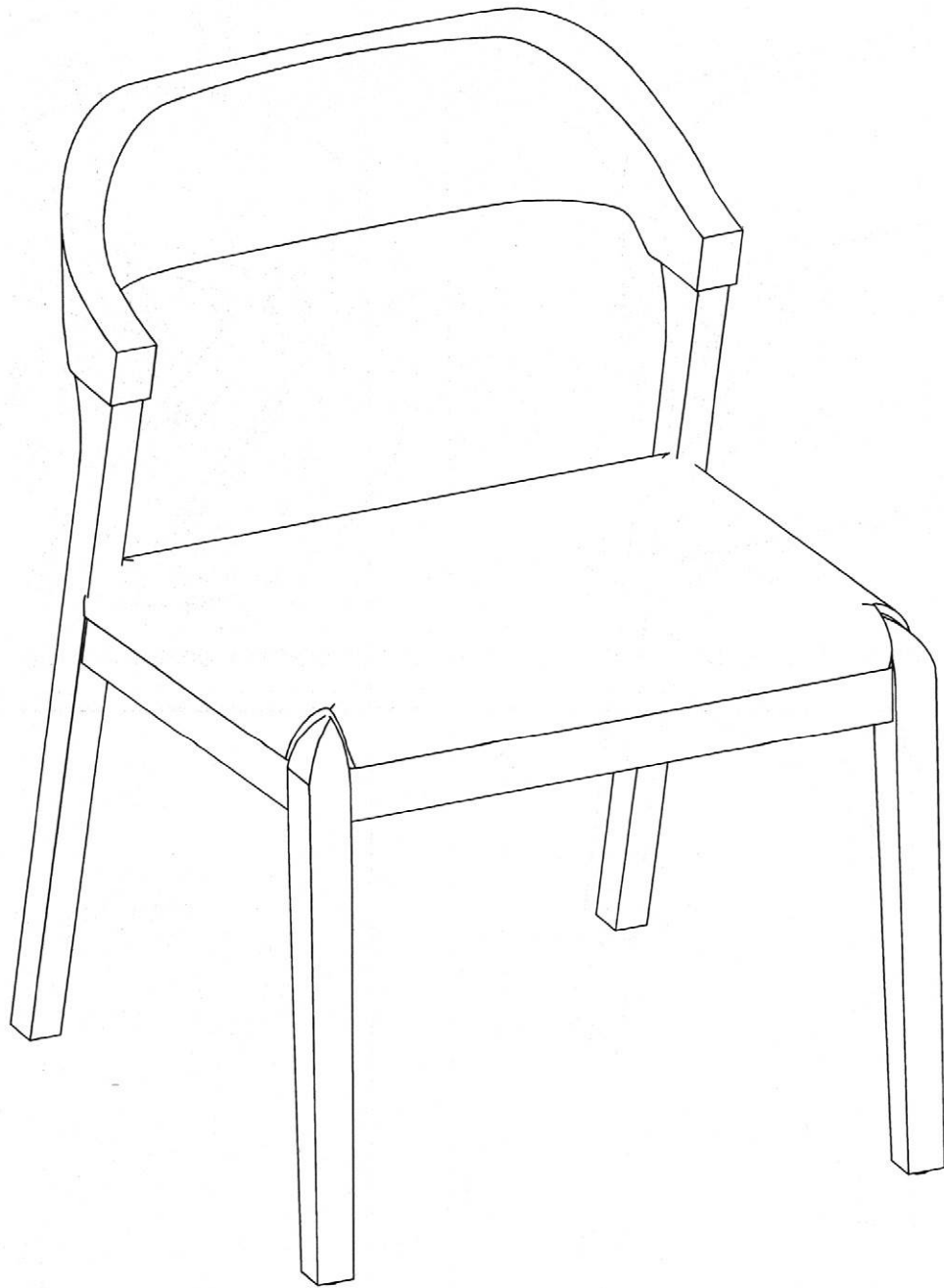


01



02

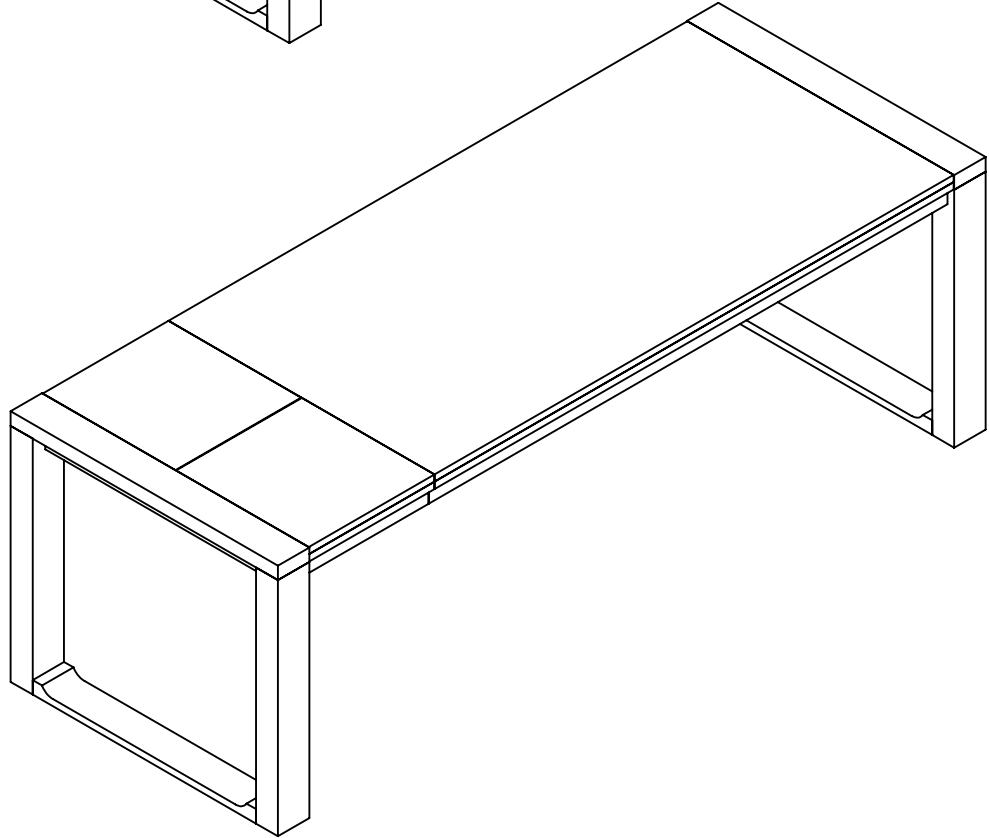
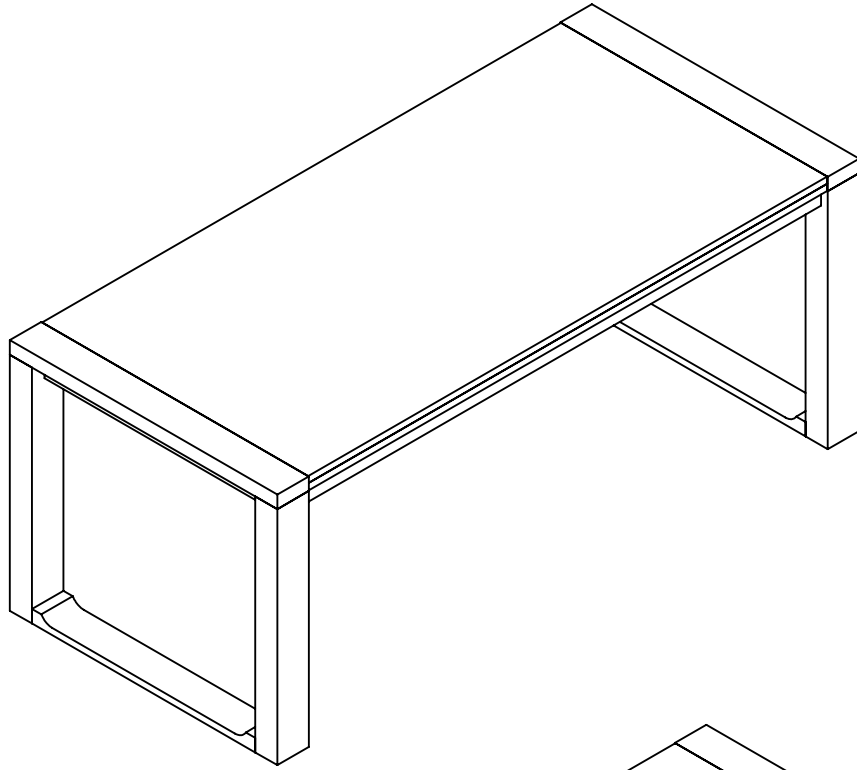




BE SURE TO CHECK ALL BOLTS ARE SECURELY
TIGHTENED PRIOR USING THIS STOOL.



Boraam Industries
RASMUS EXTENSION DINING TABLE
ASSEMBLY INSTRUCTIONS





PLEASE READ ME FIRST



- Have questions about assembling your item?



- Item or parts damaged?



- Missing a part?



- We're here to help!



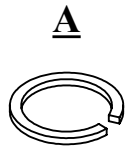
(847)949-6300 (M-F, 9am-5pm CST)



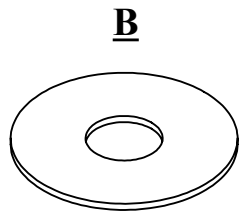
www.boraamindustries.com



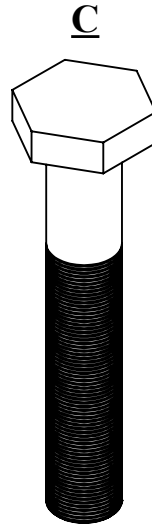
customerservice@boraamindustries.com



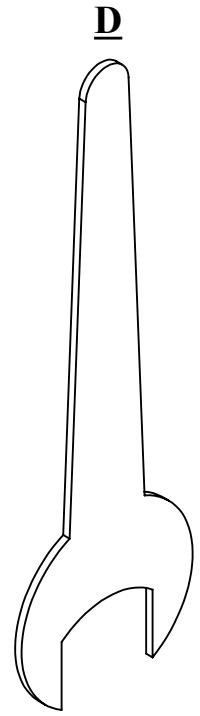
A
12PCS
M10*10



B
12PCS
M10*30

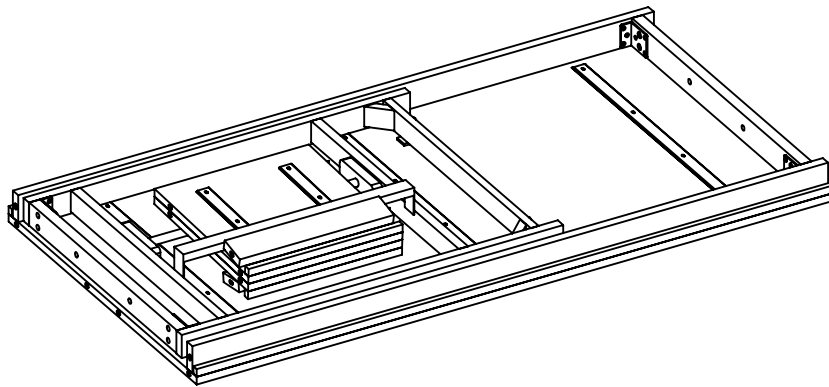


C
12PCS
M10*60

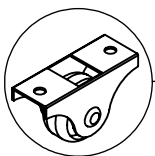
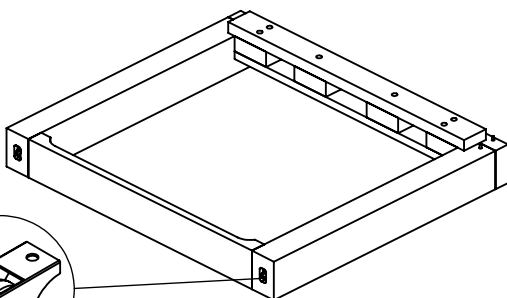


D
1PC
Allen Wrench
M17*100

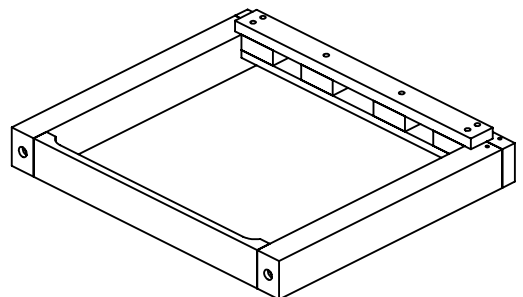
①



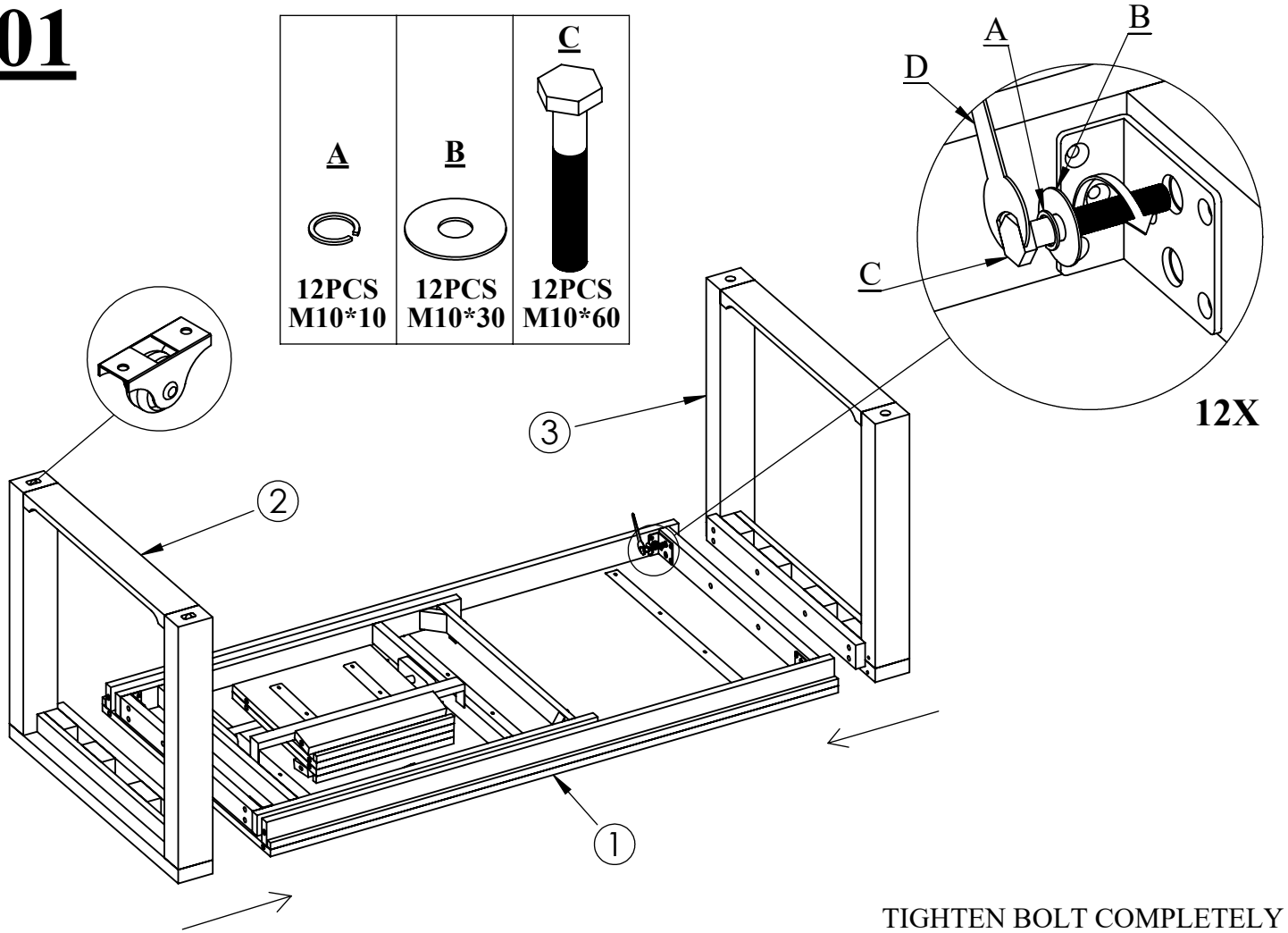
②



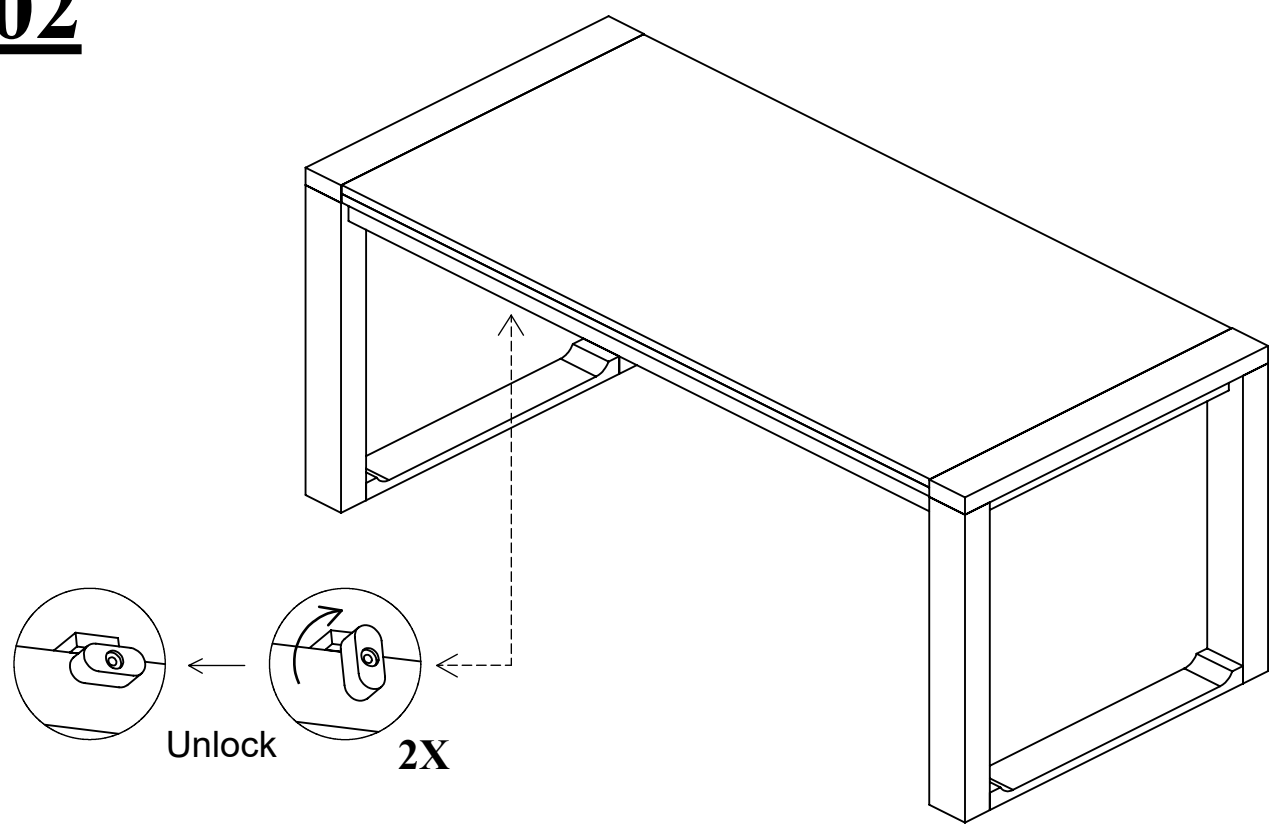
③



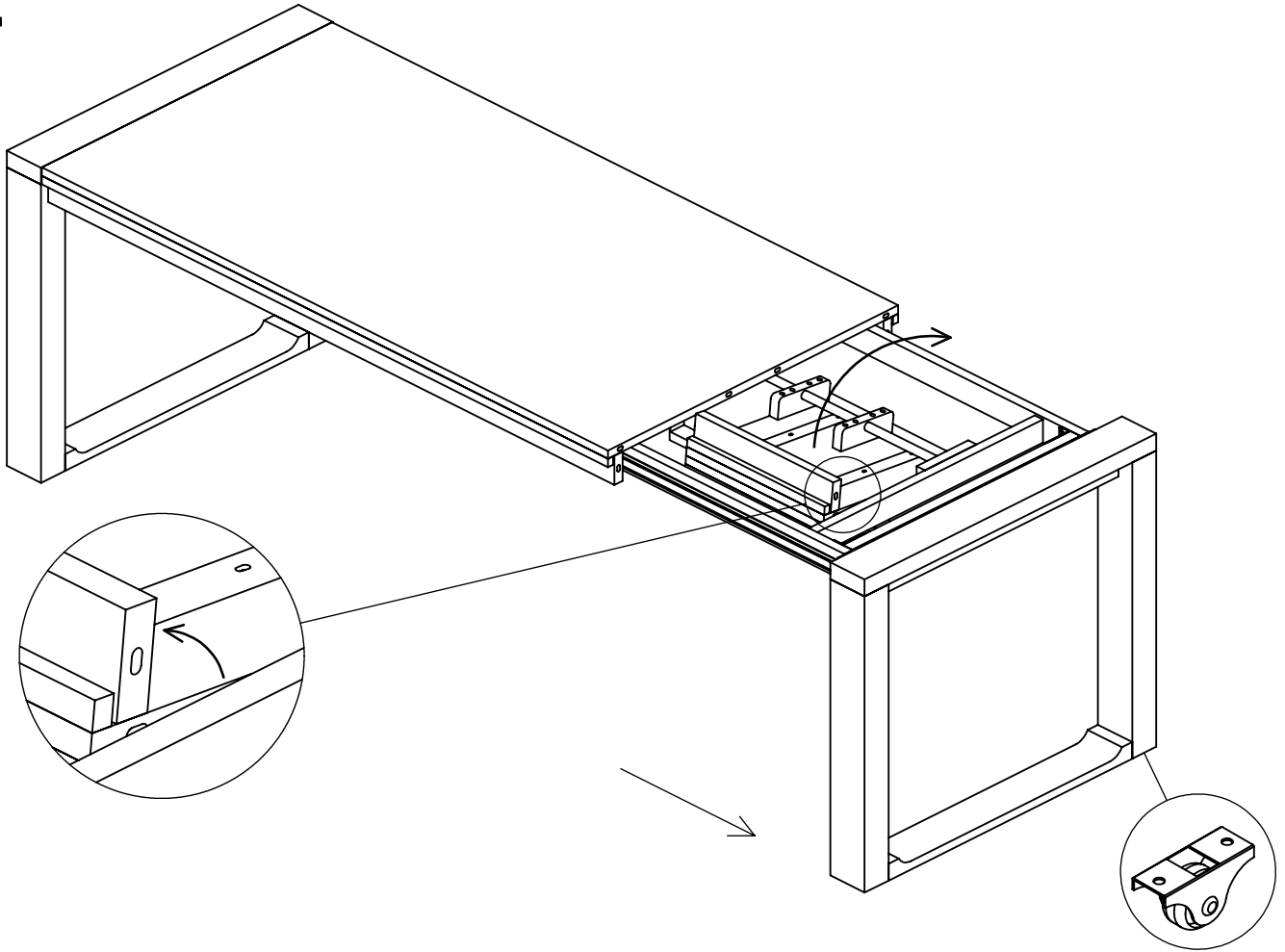
01



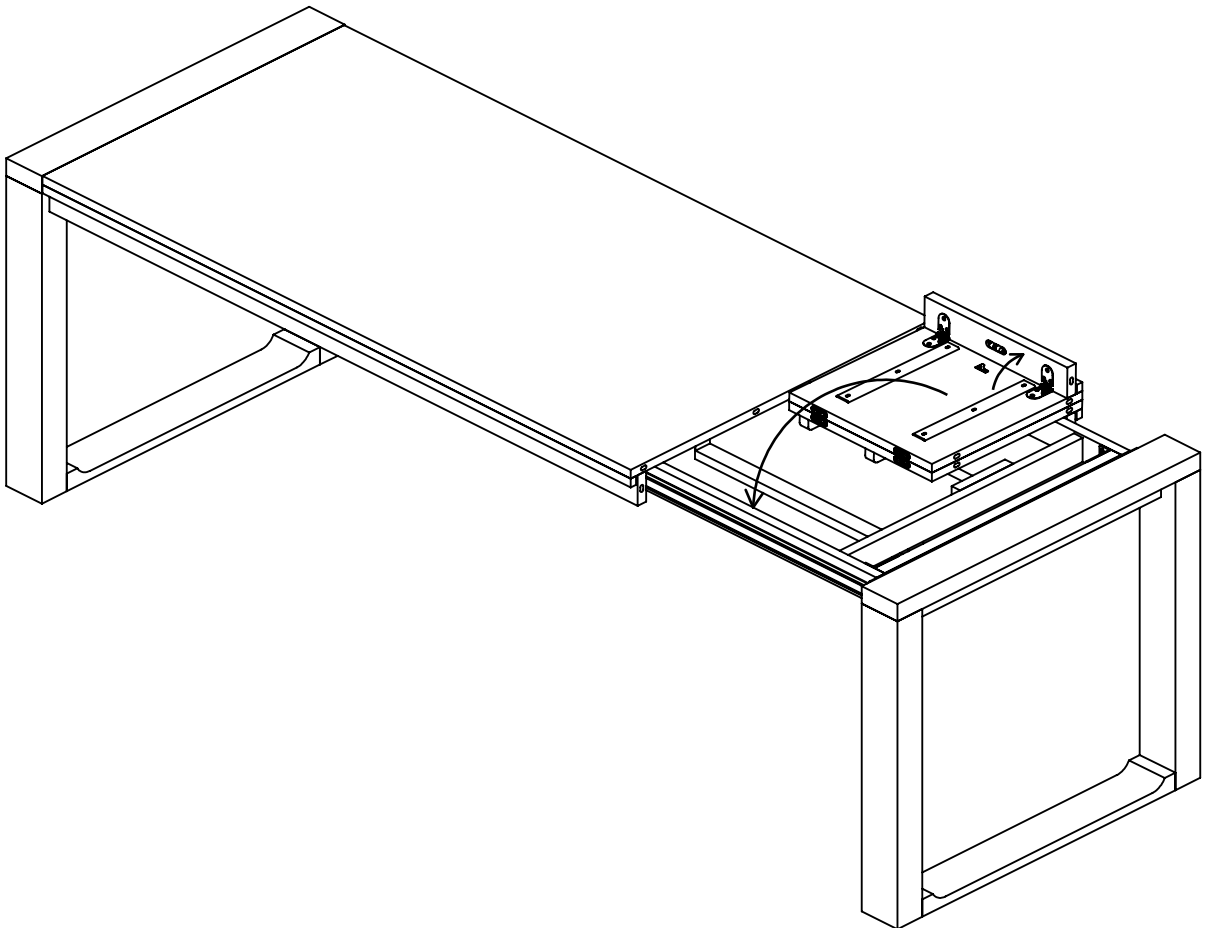
02



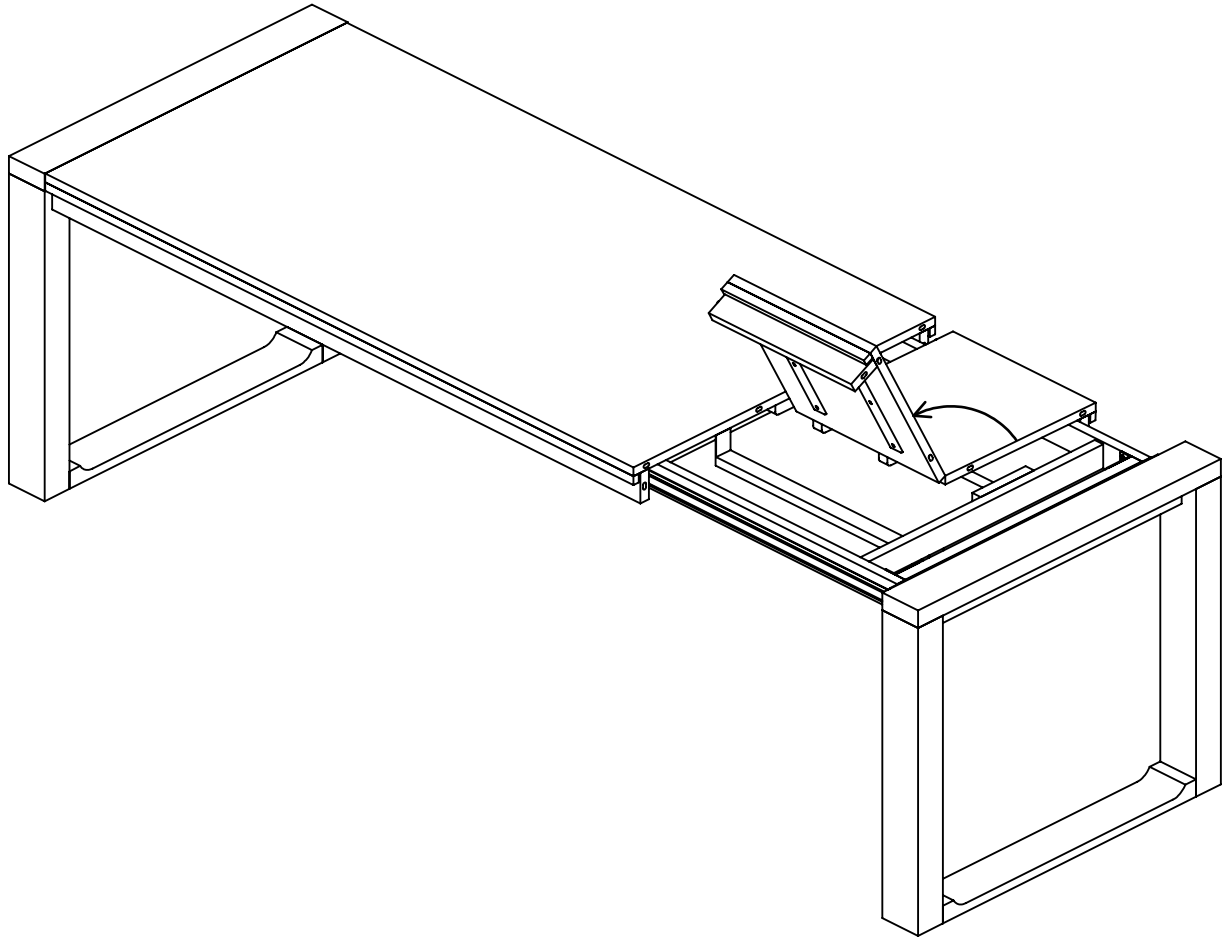
03



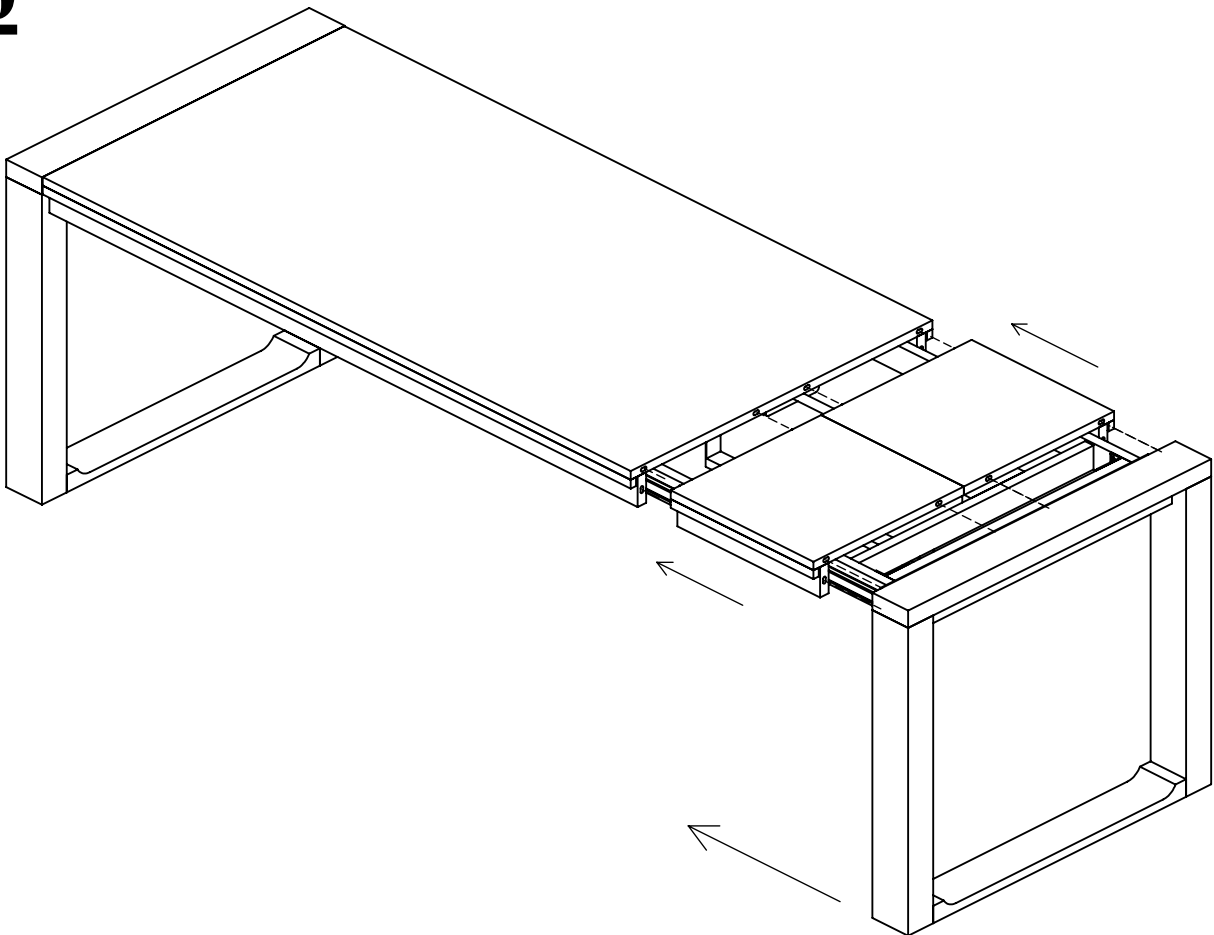
04

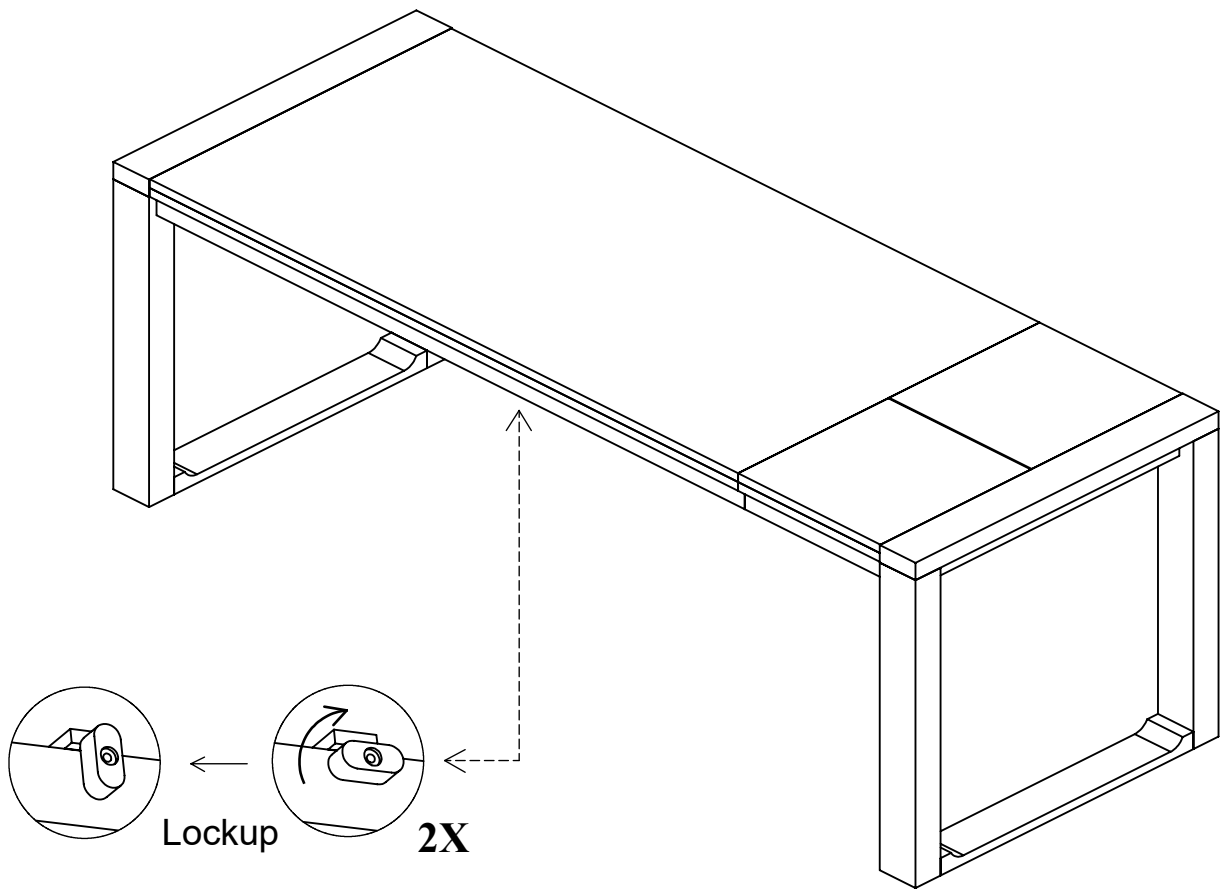


05



06





BE SURE TO CHECK ALL BOLTS SECURELY
TIGHTENED PRIOR USING THIS TABLE