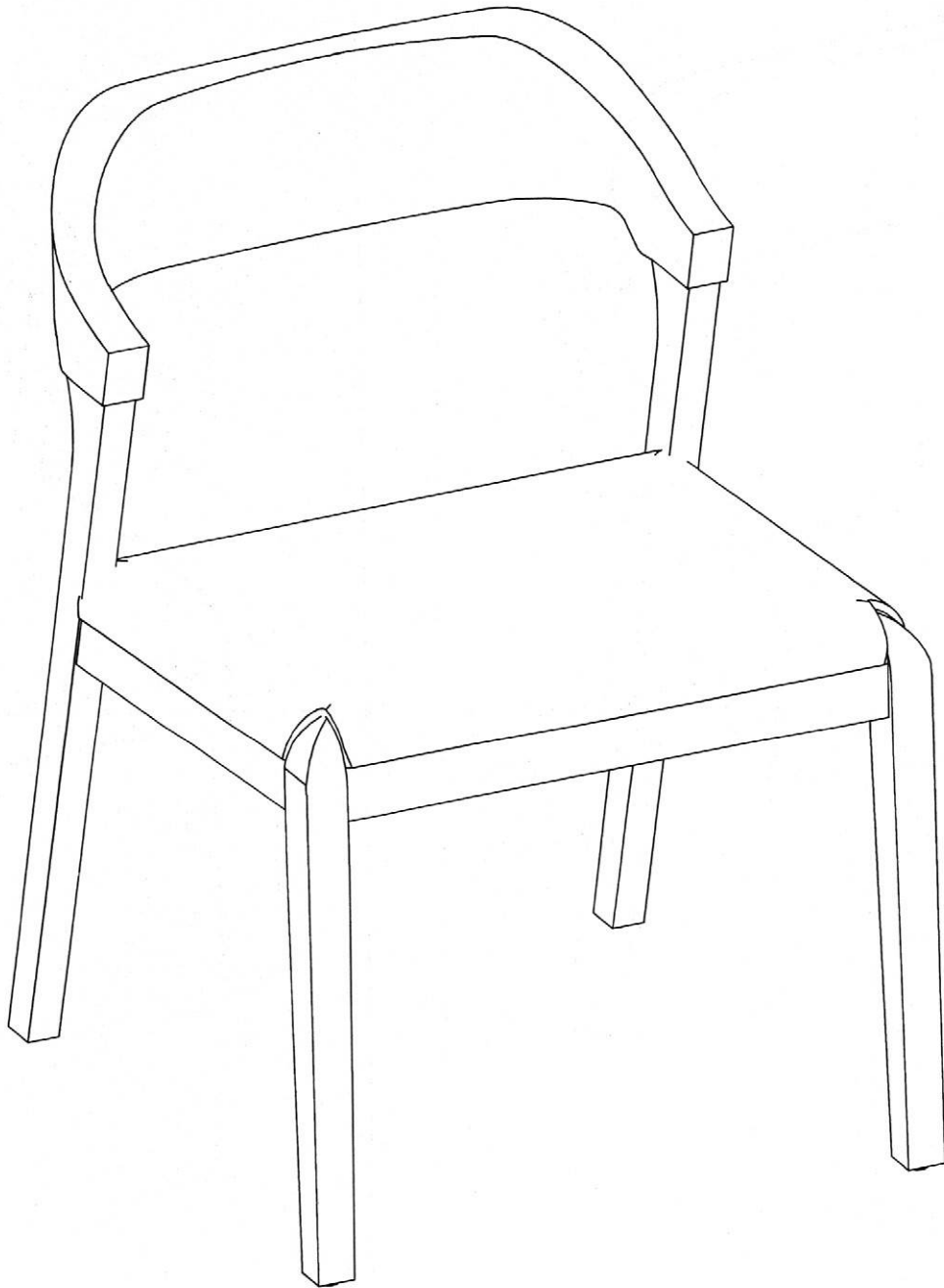




# *Boraam Industries*

**RASMUS DINING CHAIR**

**ASSEMBLY INSTRUCTIONS**





PLEASE READ ME FIRST



- Have questions about assembling your item?




- Item or parts damaged?



- Missing a part?



- We're here to help!

 (847)949-6300 (M-F, 9am-5pm CST)



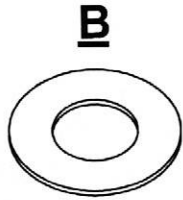
[www.boraamindustries.com](http://www.boraamindustries.com)



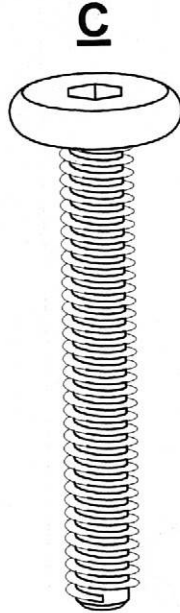
customerservice@boraamindustries.com



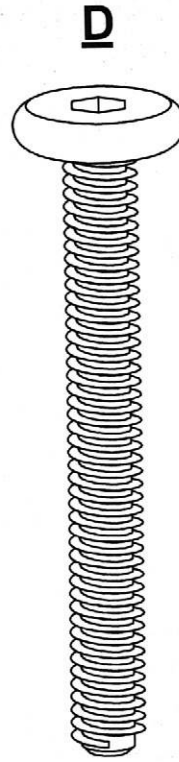
**A**  
M8\*10  
8 PCS



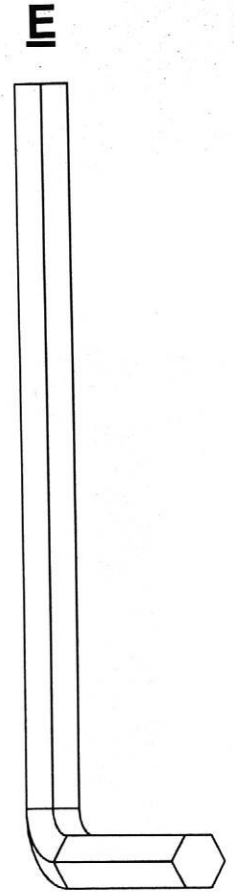
**B**  
M8\*16  
8 PCS



**C**  
M8\*50  
2 PCS

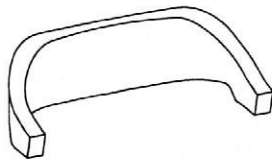


**D**  
M8\*70  
8 PCS

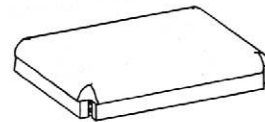


**E**  
M4\*110  
1 PC

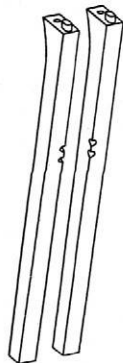
1



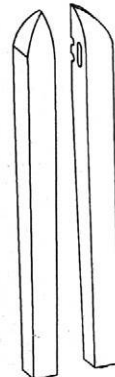
2



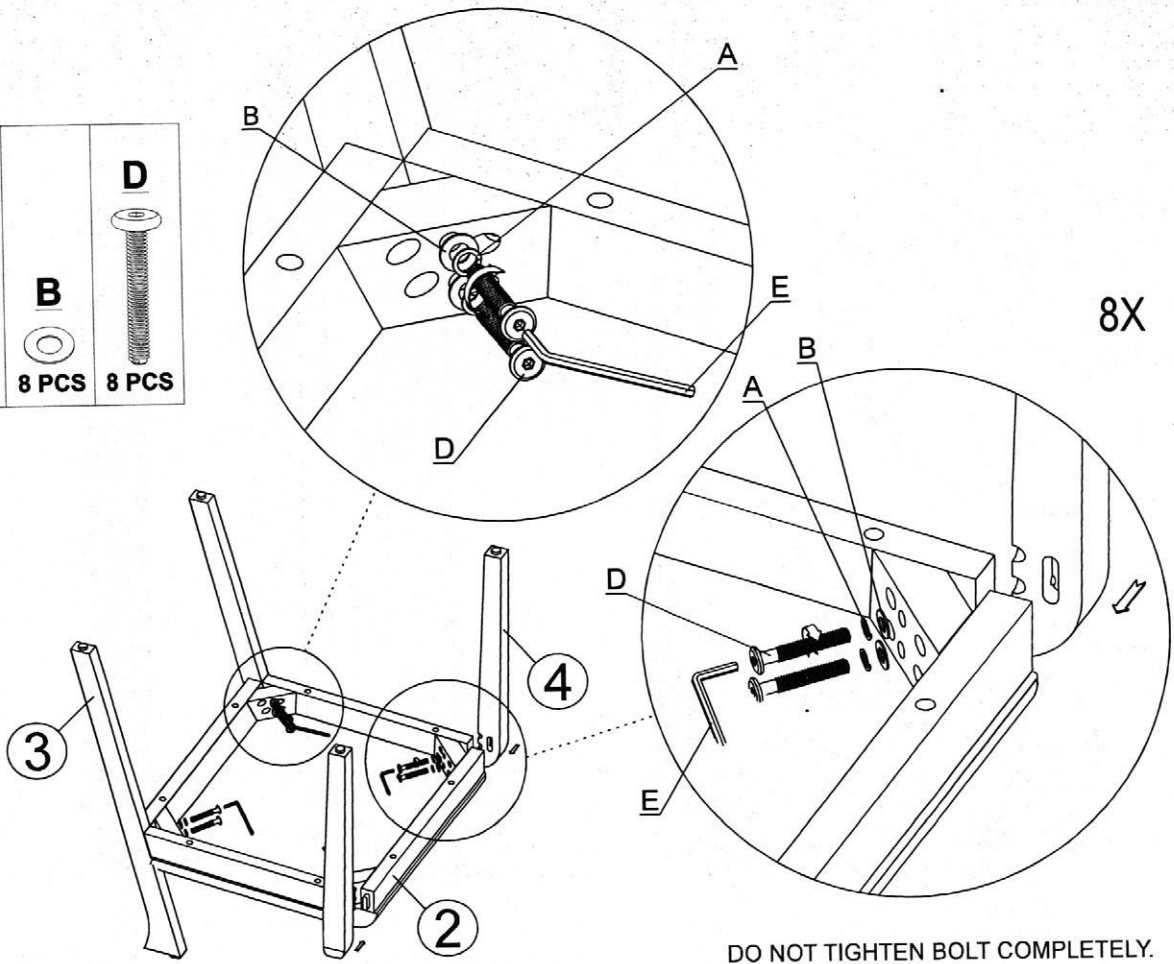
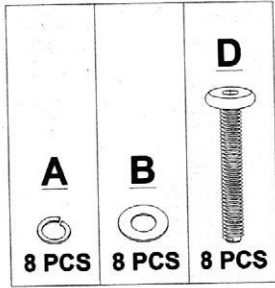
3



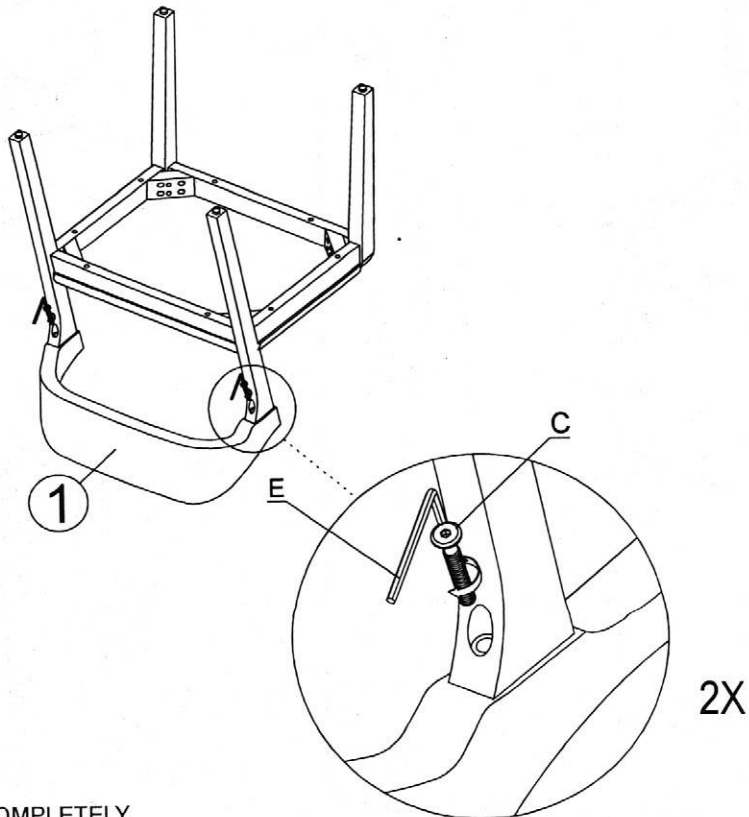
4

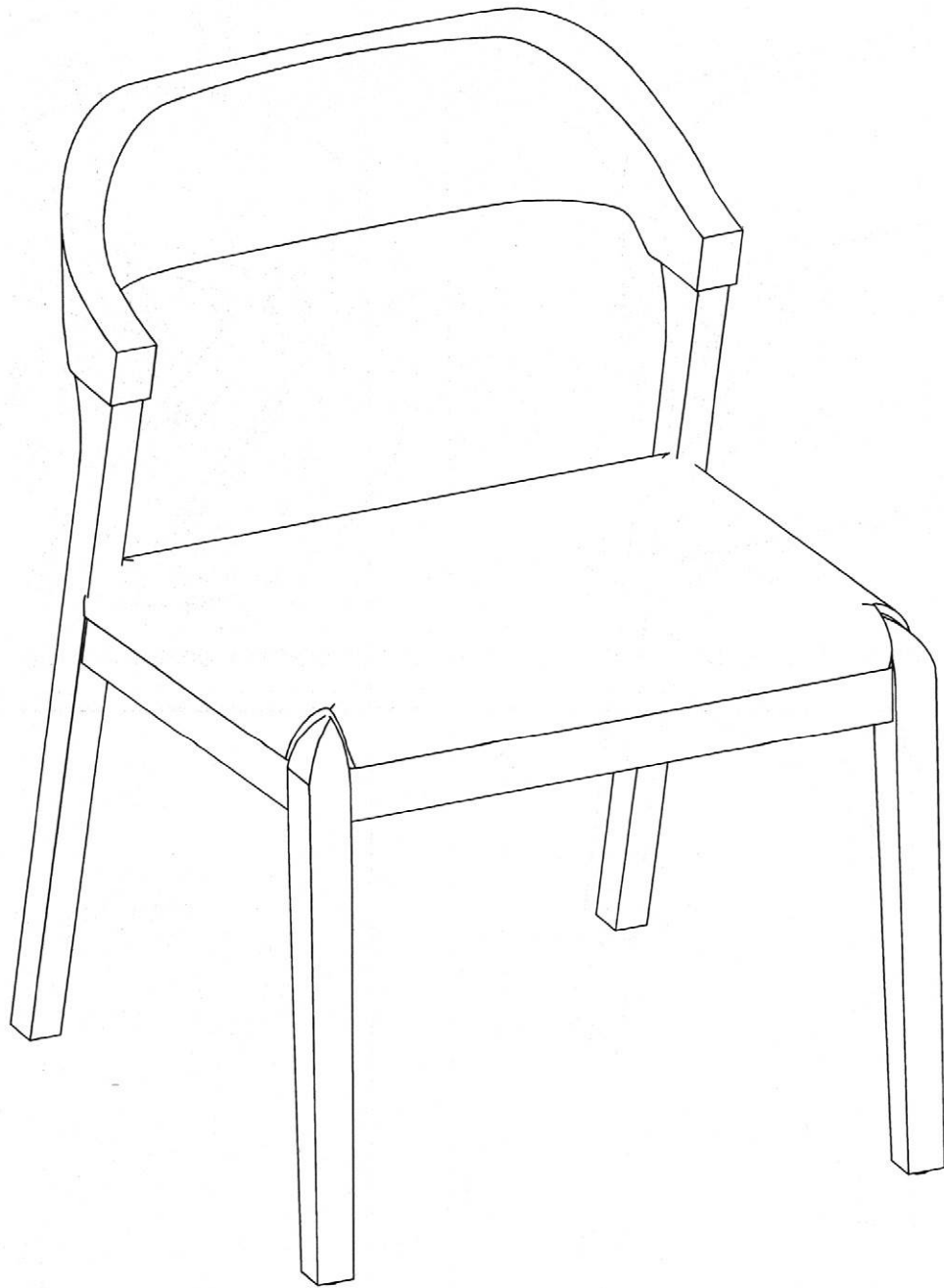


# 01



# 02





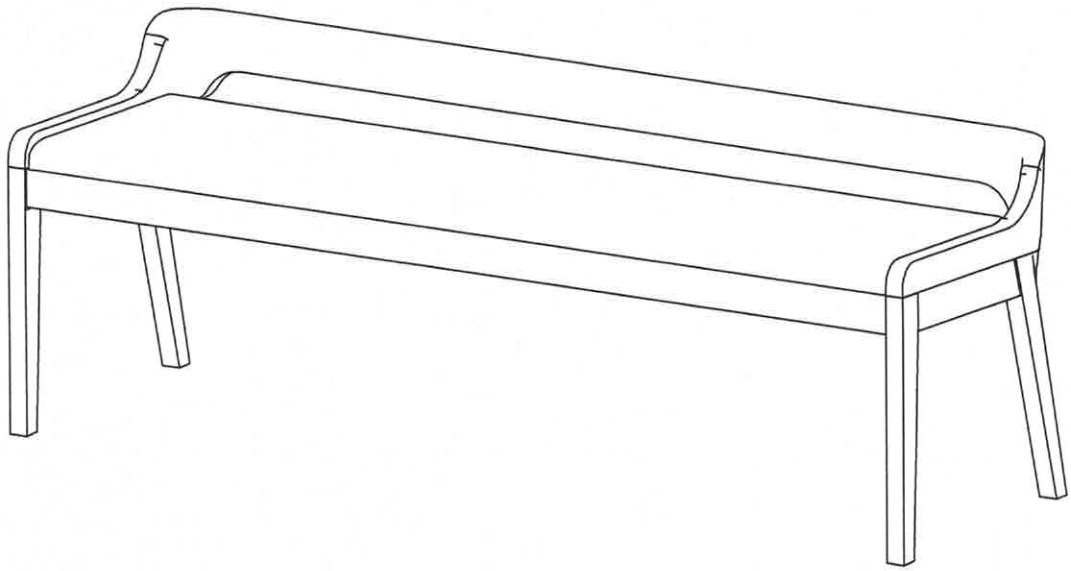
BE SURE TO CHECK ALL BOLTS ARE SECURELY  
TIGHTENED PRIOR USING THIS STOOL.

77315



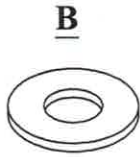
*Boraam Industries*

**RASMUS DINING BENCH  
ASSEMBLY INSTRUCTIONS**





8PCS



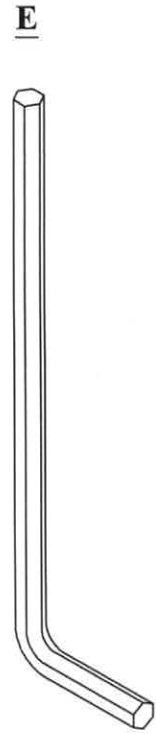
8PCS



8PCS

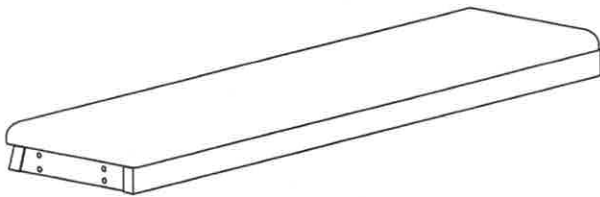


6PCS

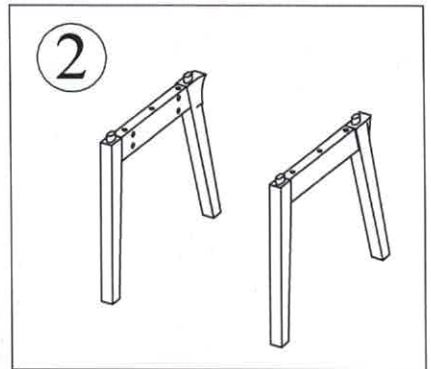


1PC

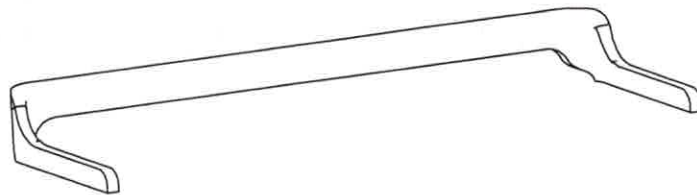
①



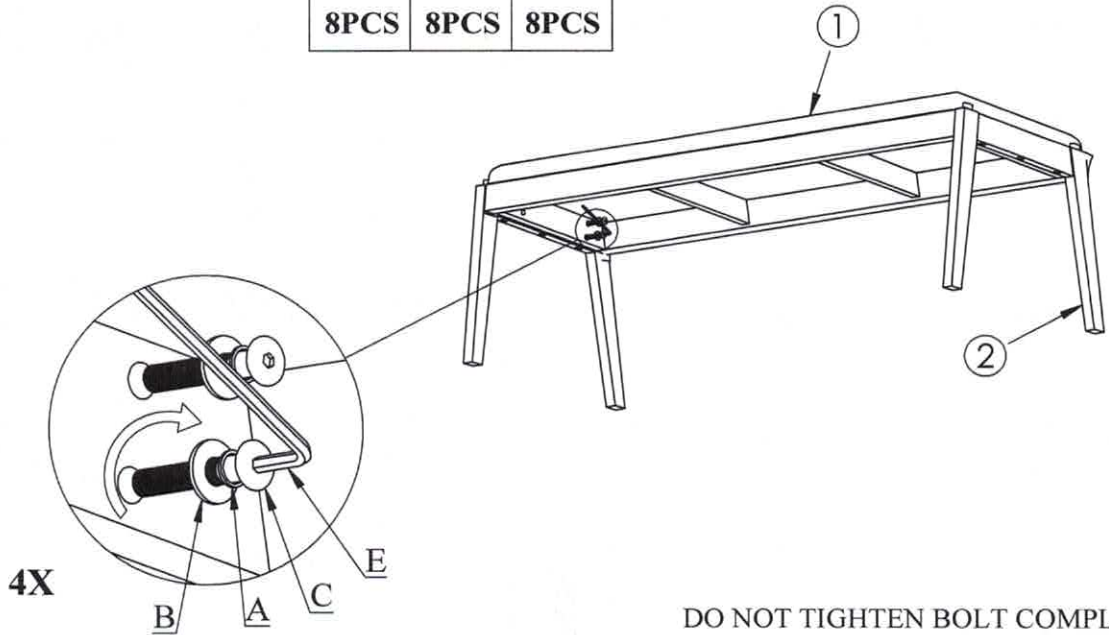
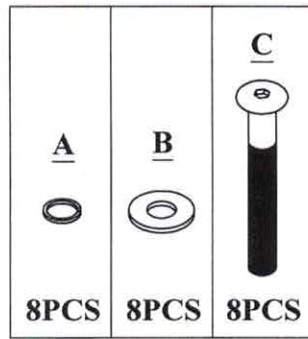
②



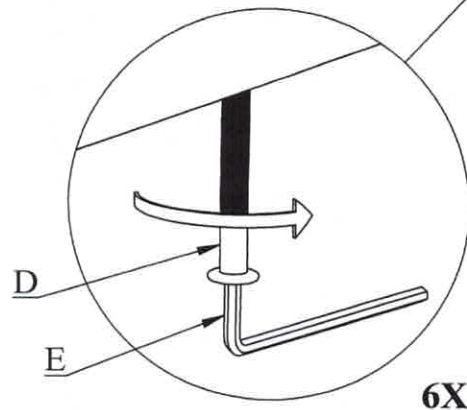
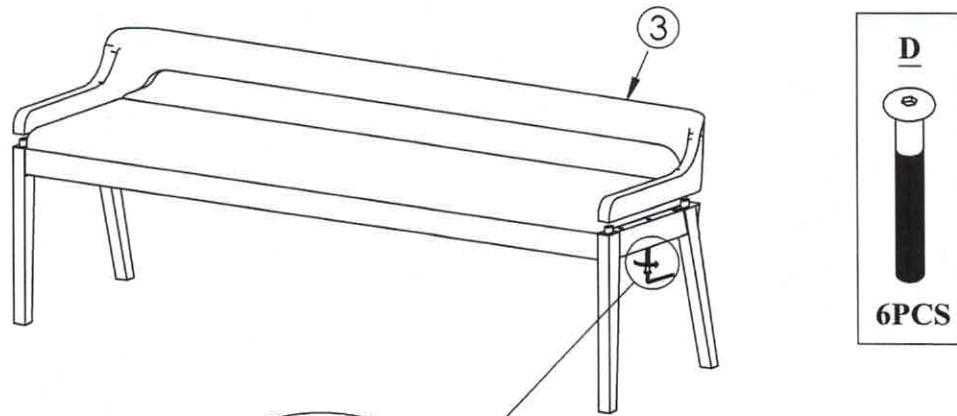
③



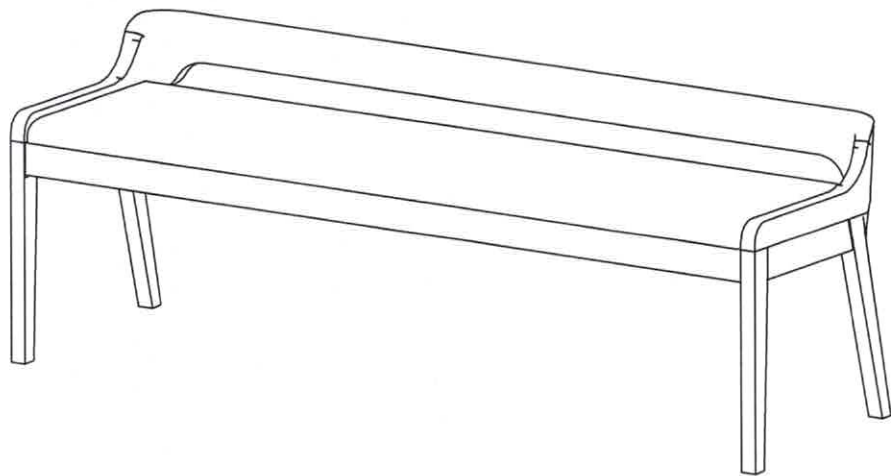
# 01



# 02



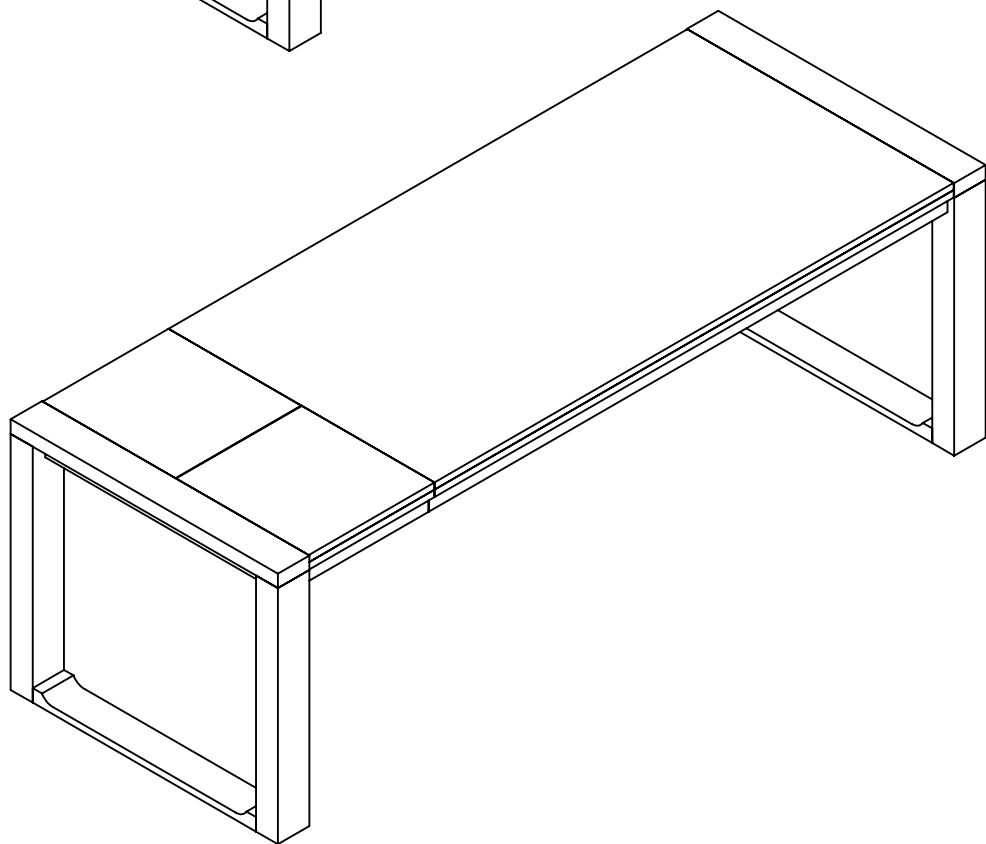
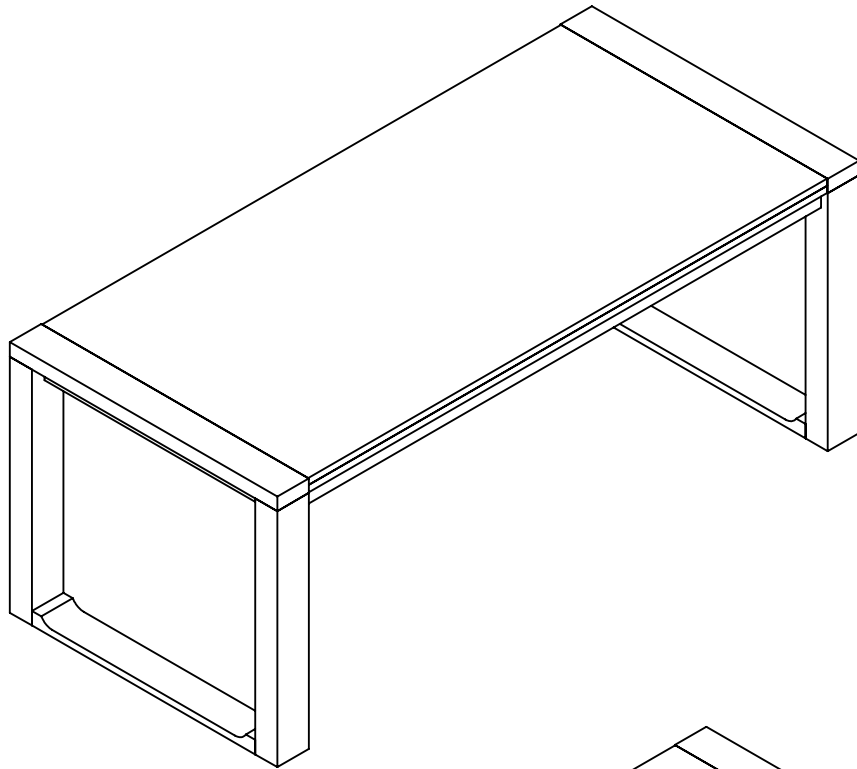




BE SURE TO CHECK ALL BOLTS SECURELY  
TIGHTENED PRIOR USING THIS BENCH



*Boraam Industries*  
**RASMUS EXTENSION DINING TABLE**  
ASSEMBLY INSTRUCTIONS





**PLEASE READ ME FIRST**



- Have questions about assembling your item?



- Item or parts damaged?



- Missing a part?



- We're here to help!



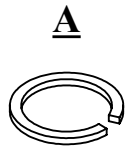
(847)949-6300 (M-F, 9am-5pm CST)



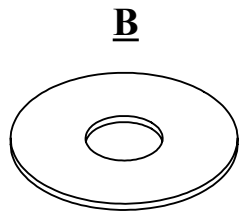
[www.boraamindustries.com](http://www.boraamindustries.com)



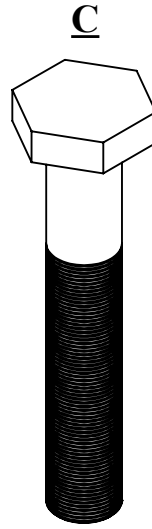
[customerservice@boraamindustries.com](mailto:customerservice@boraamindustries.com)



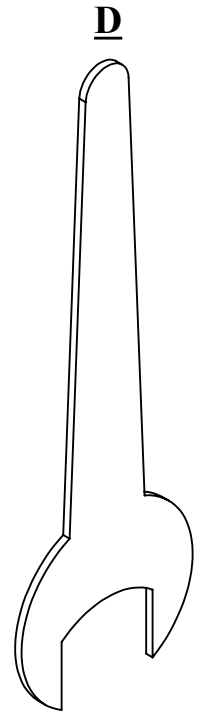
**12PCS**  
**M10\*10**



**12PCS**  
**M10\*30**

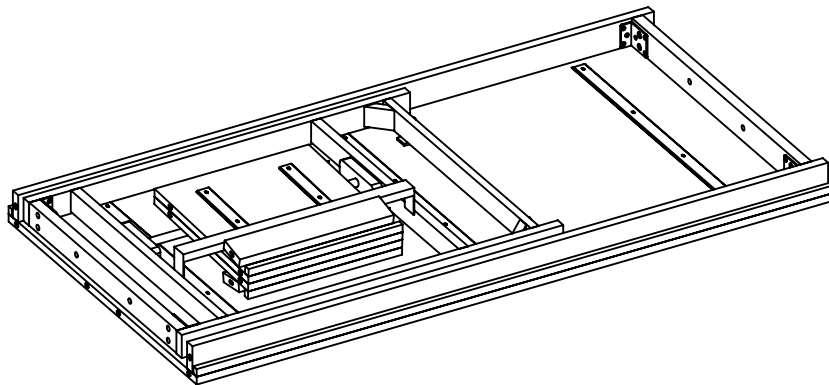


**12PCS**  
**M10\*60**

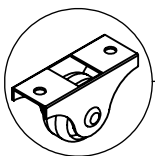
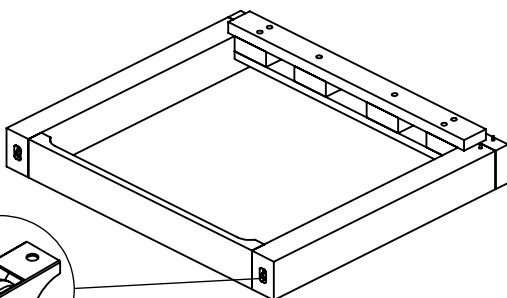


**1PC**  
**Allen Wrench**  
**M17\*100**

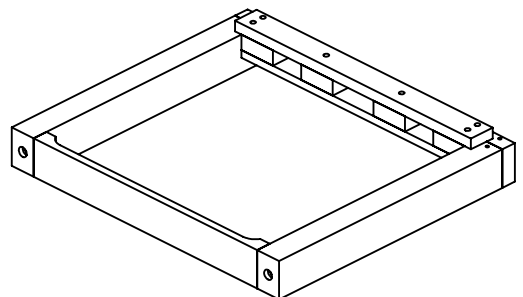
①



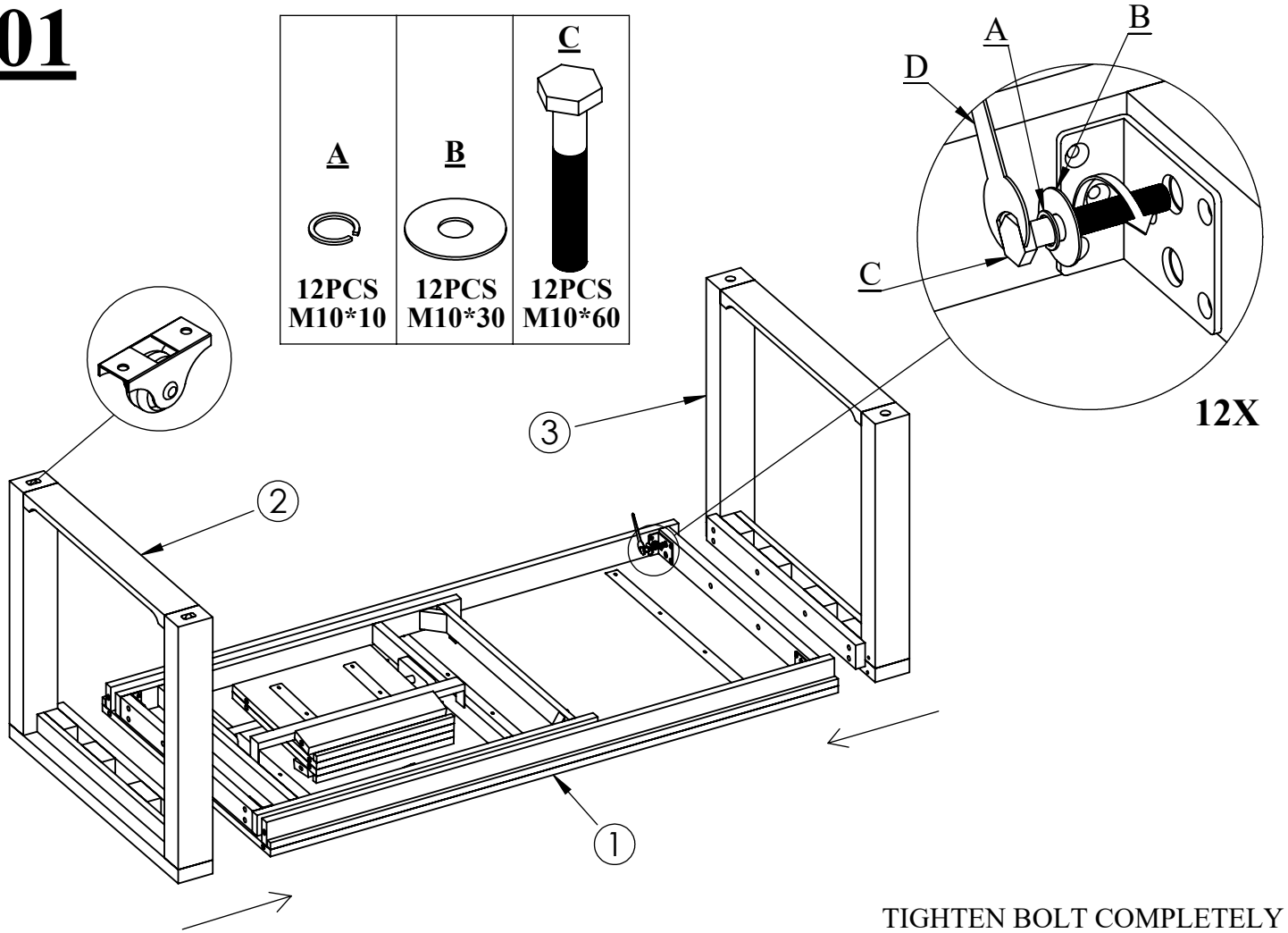
②



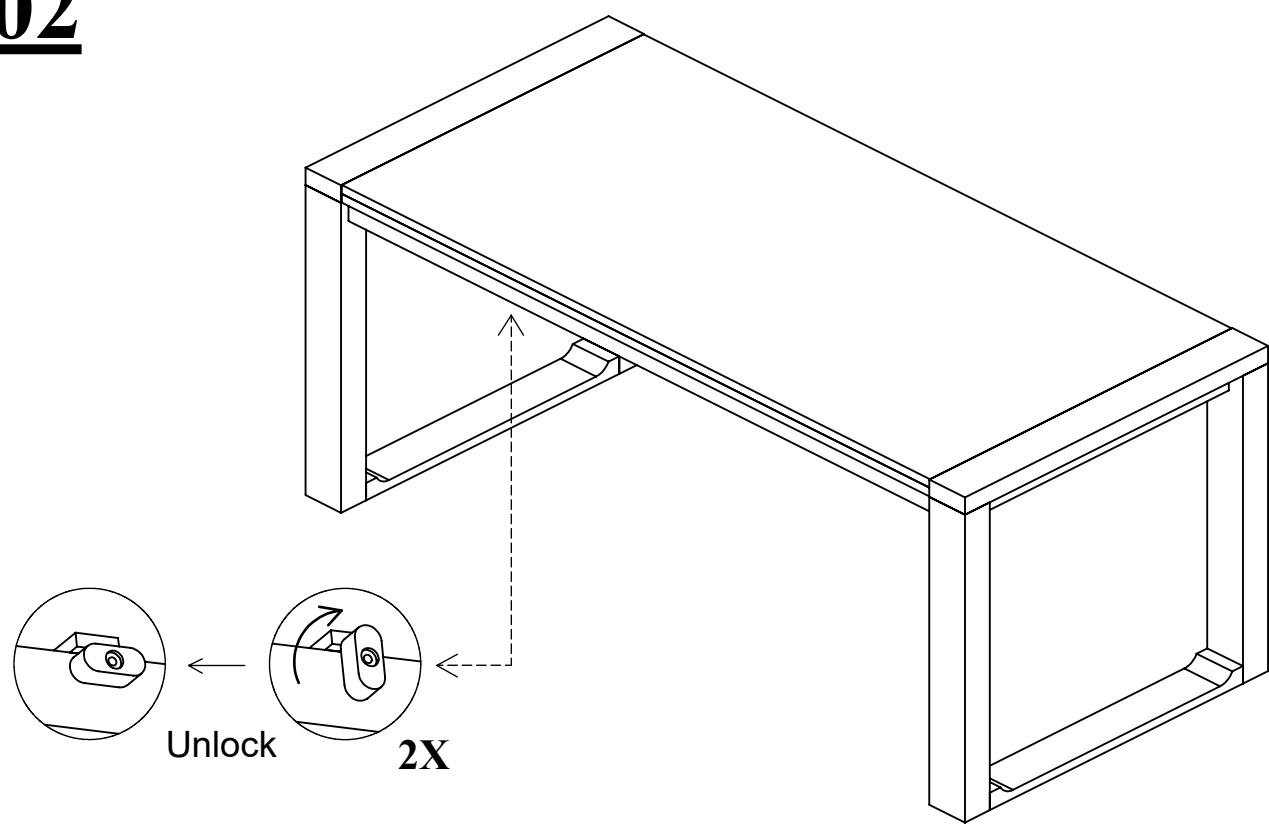
③



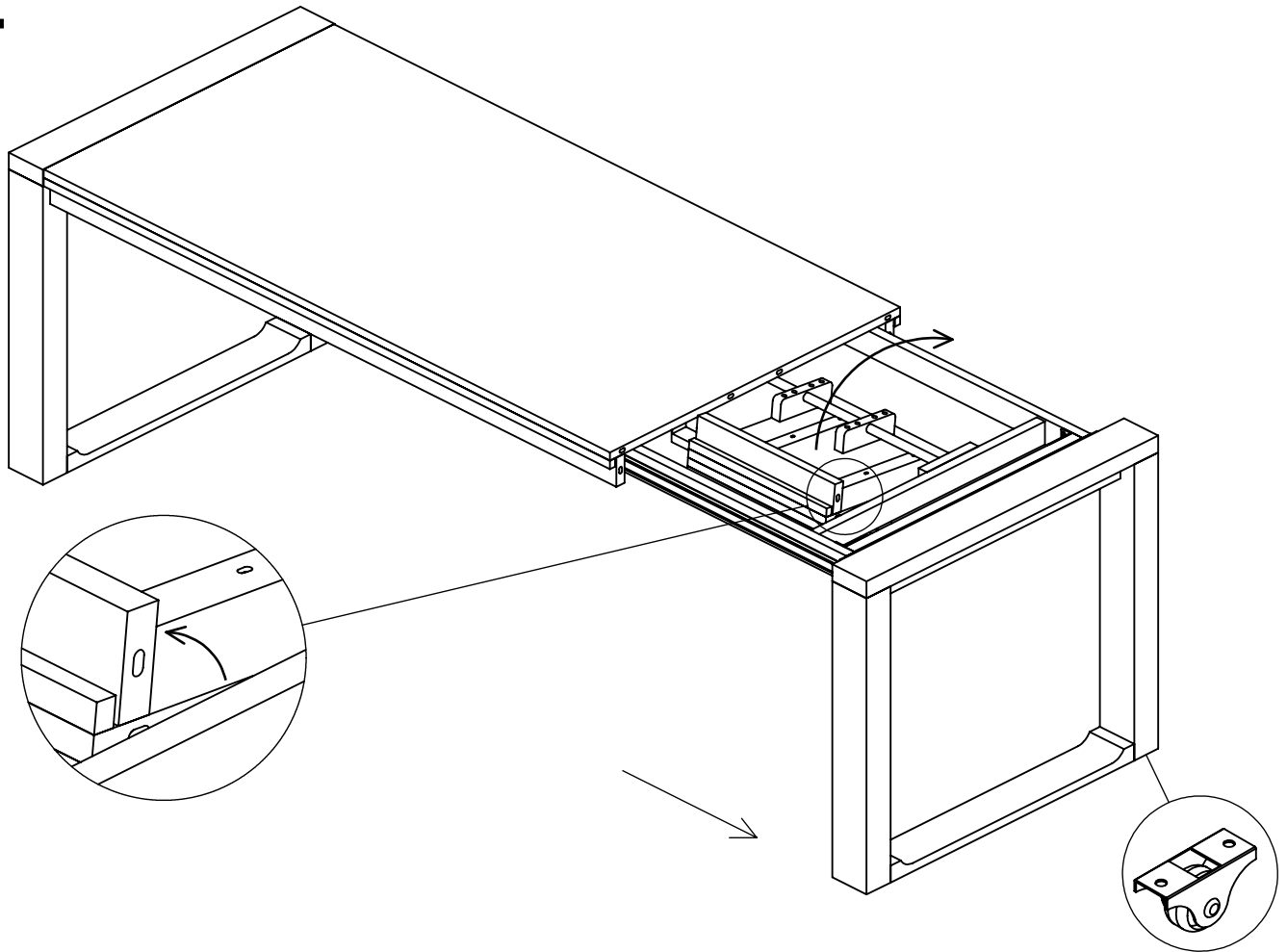
# 01



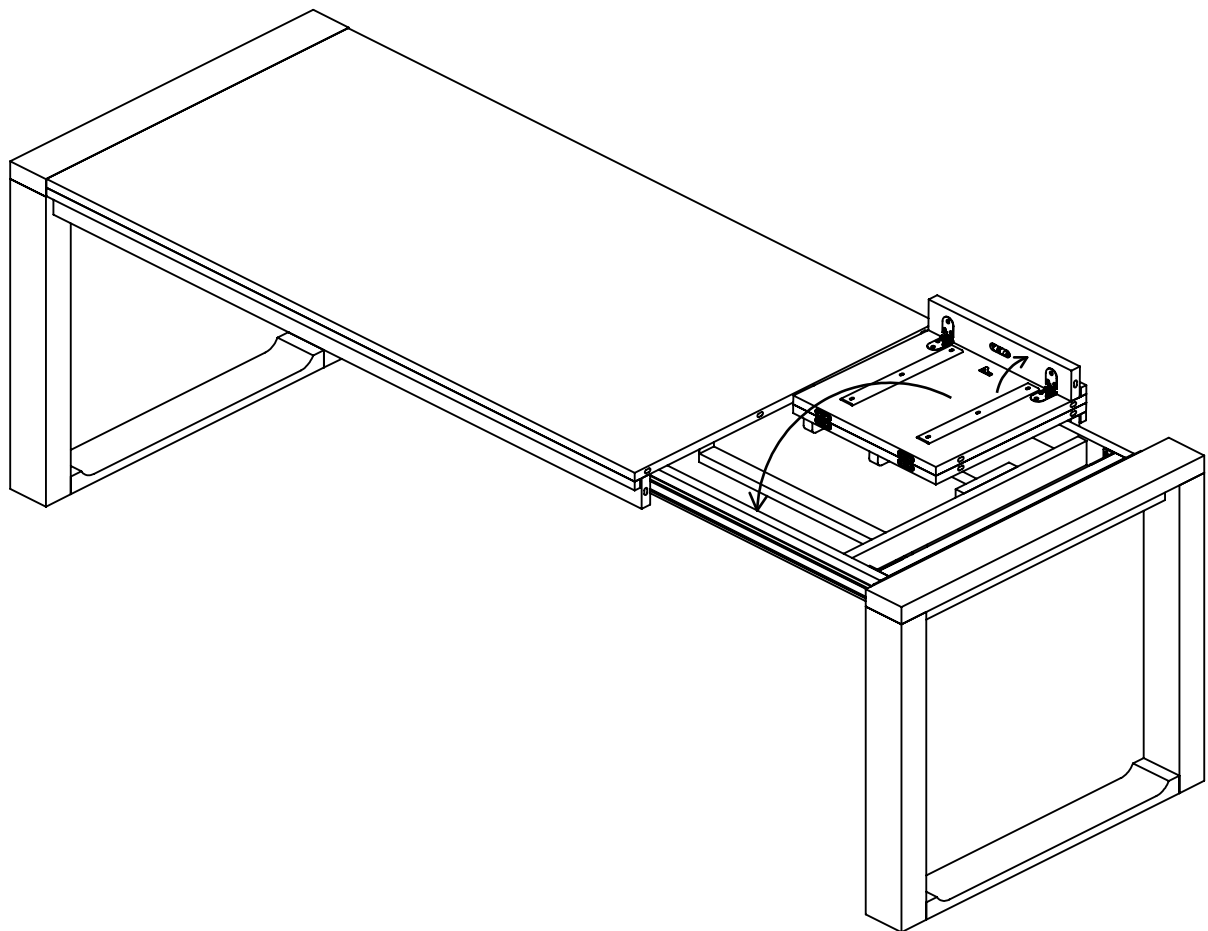
# 02



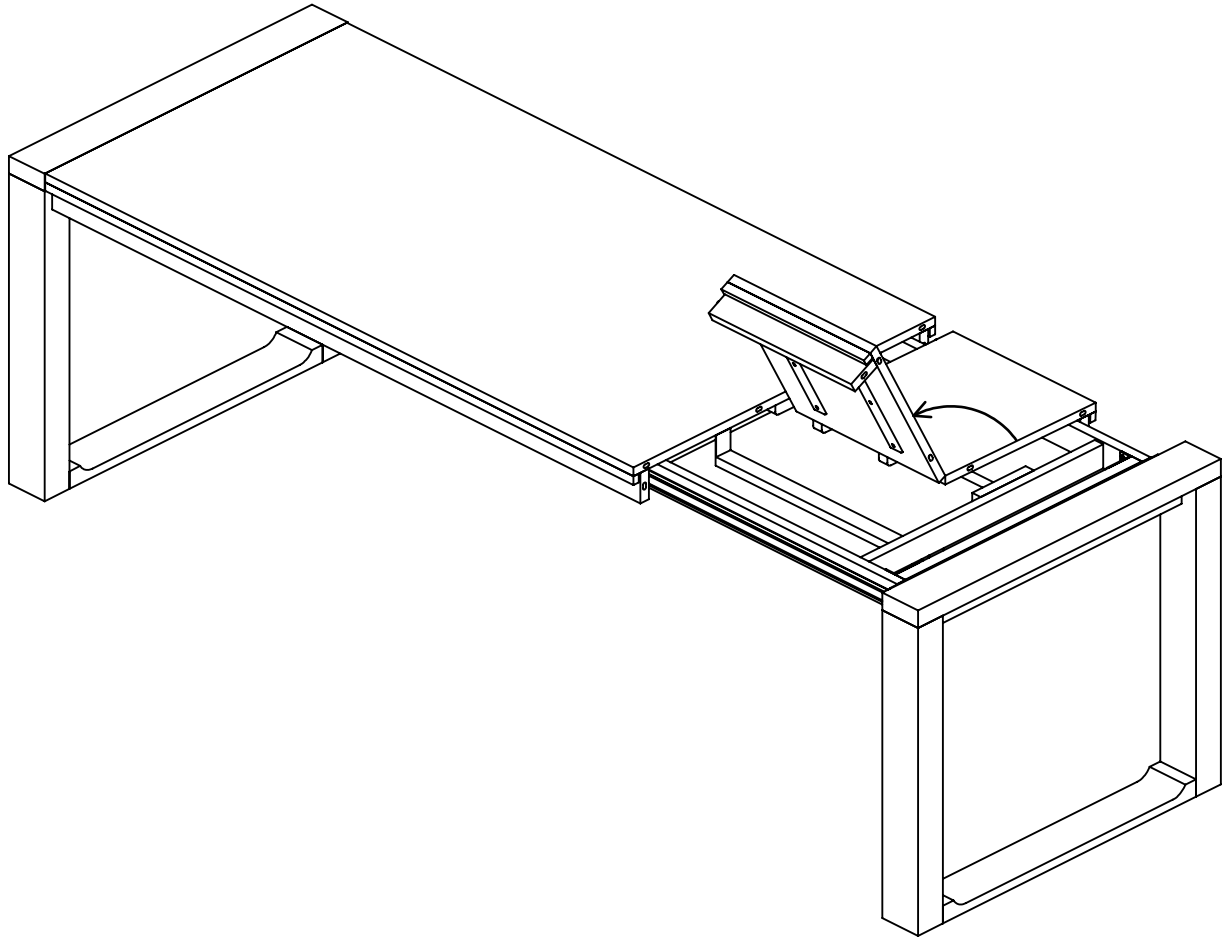
**03**



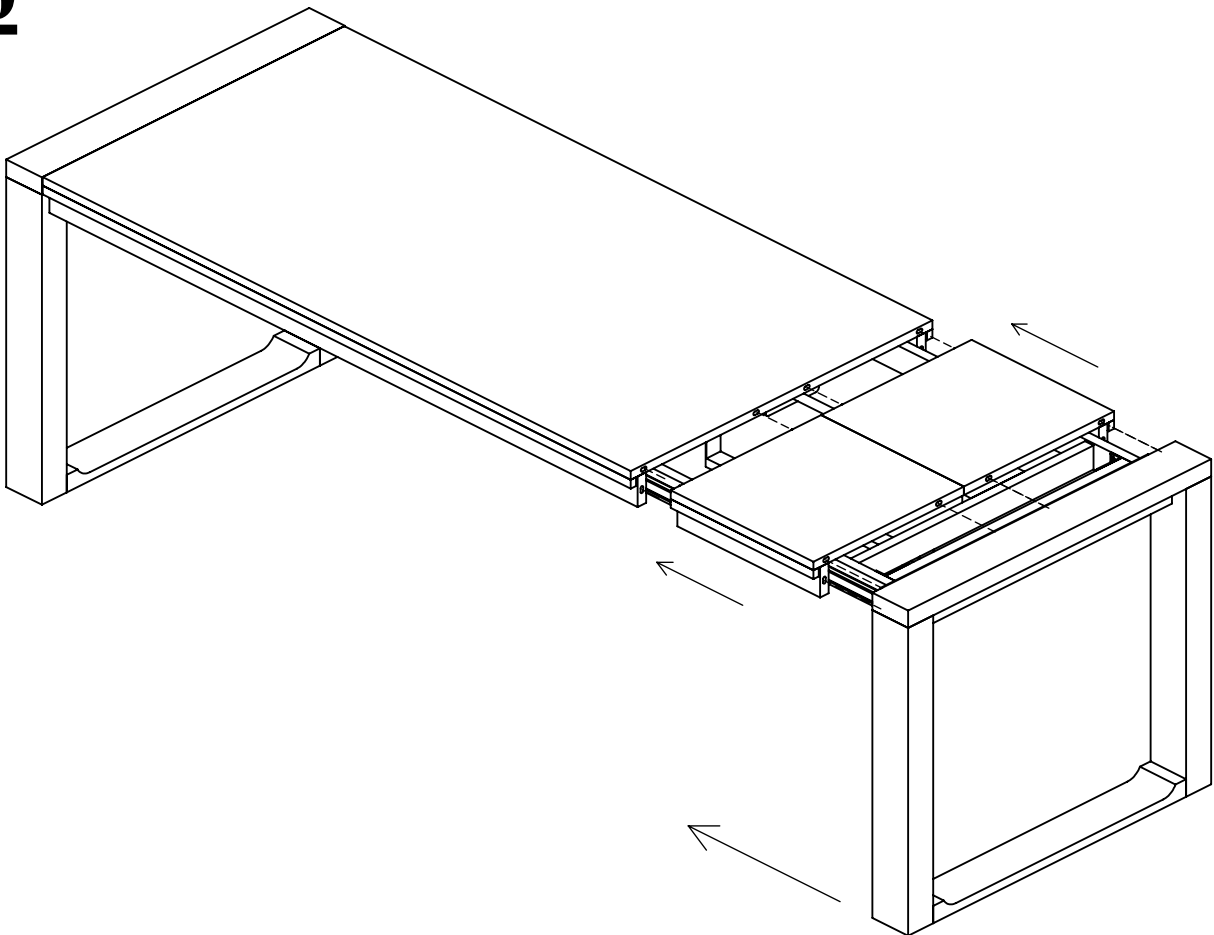
**04**

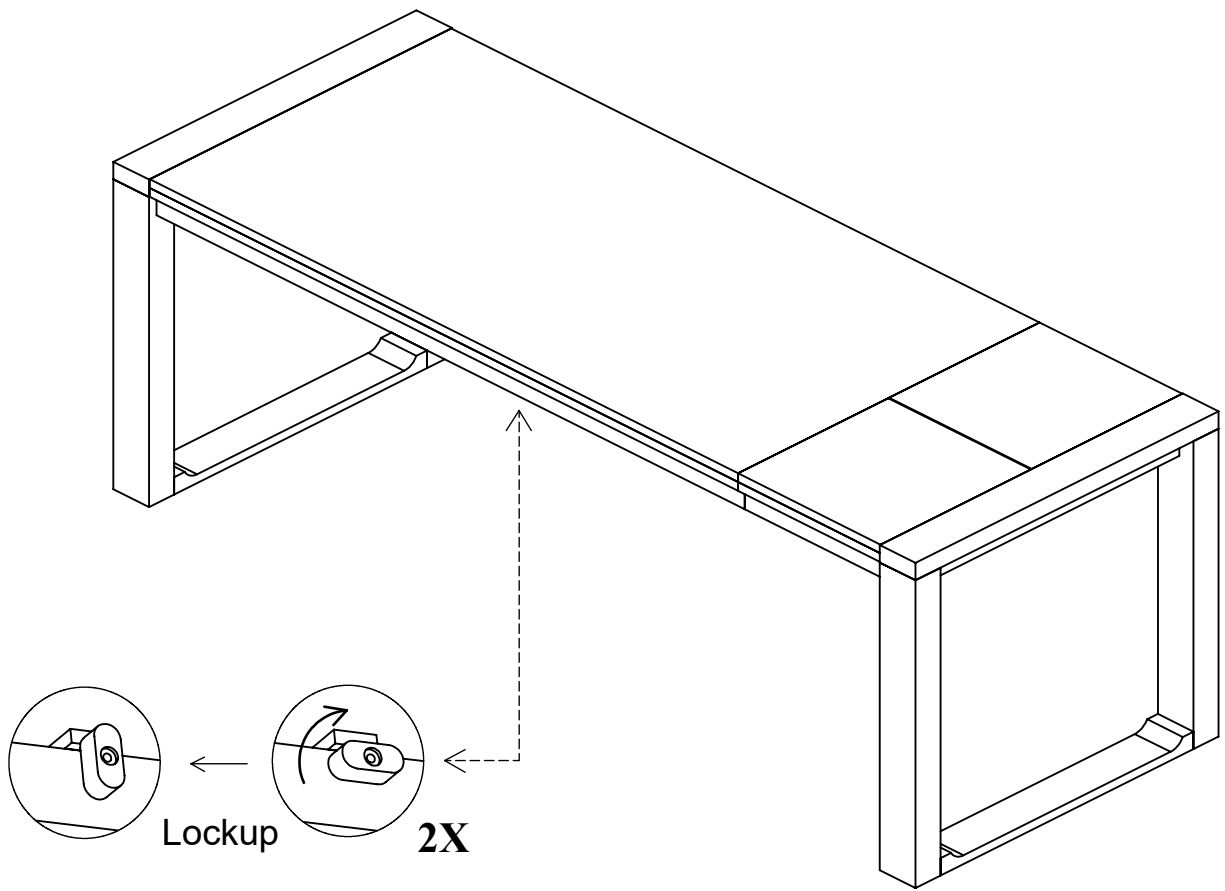


**05**



**06**





BE SURE TO CHECK ALL BOLTS SECURELY  
TIGHTENED PRIOR USING THIS TABLE