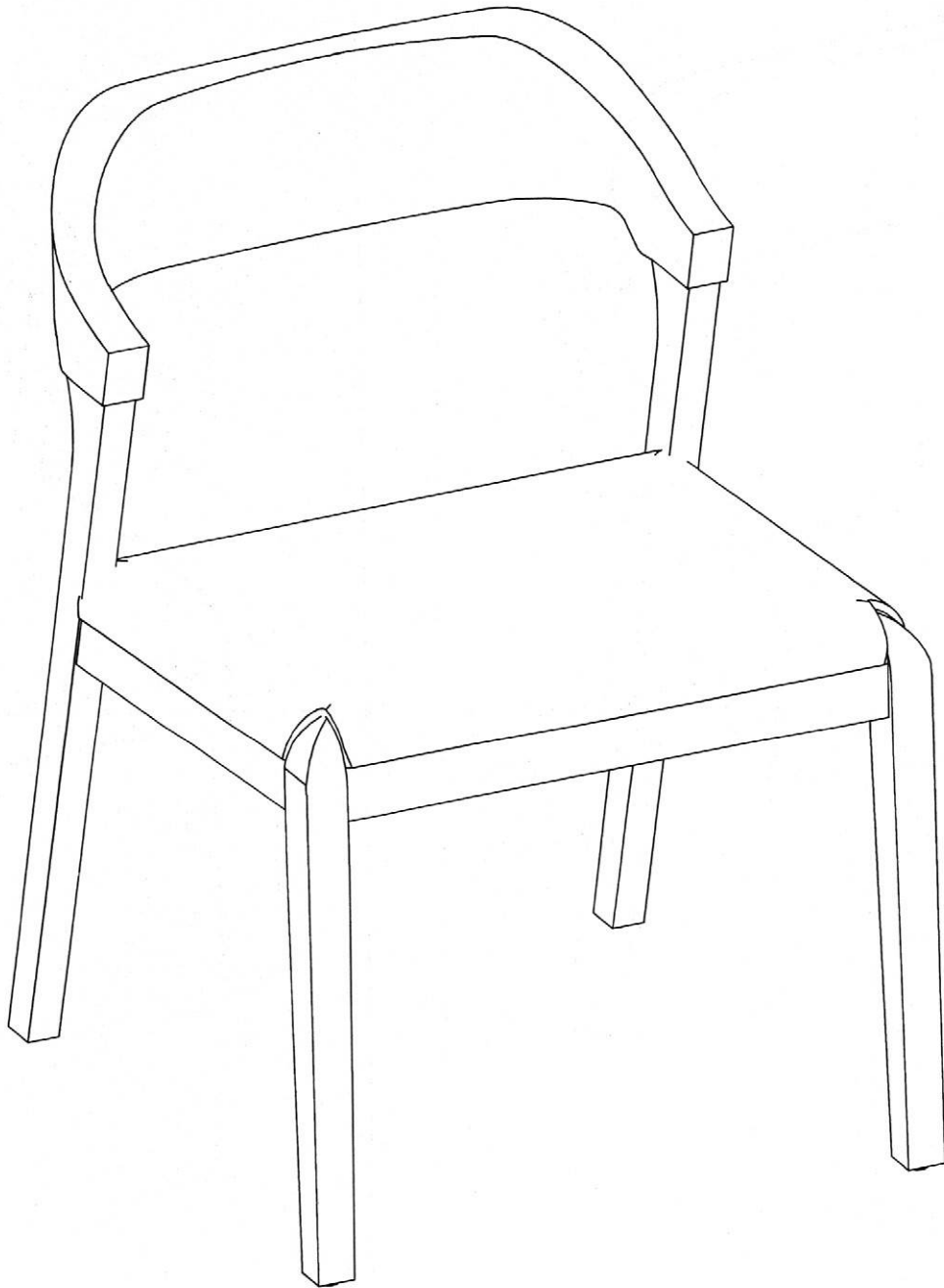




Boraam Industries

RASMUS DINING CHAIR

ASSEMBLY INSTRUCTIONS





PLEASE READ ME FIRST



- Have questions about assembling your item?




- Item or parts damaged?



- Missing a part?



- We're here to help!

 (847)949-6300 (M-F, 9am-5pm CST)



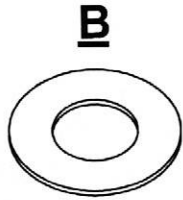
www.boraamindustries.com



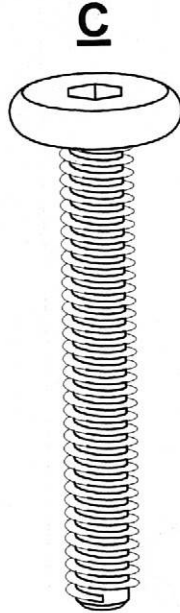
customerservice@boraamindustries.com



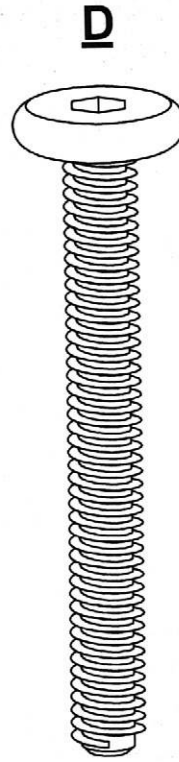
A
M8*10
8 PCS



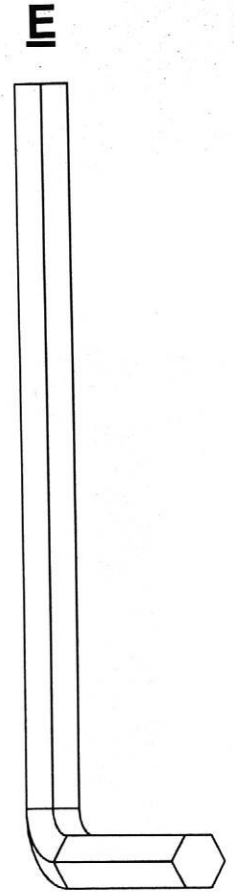
B
M8*16
8 PCS



C
M8*50
2 PCS

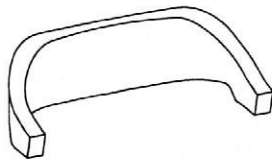


D
M8*70
8 PCS

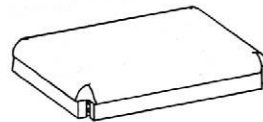


E
M4*110
1 PC

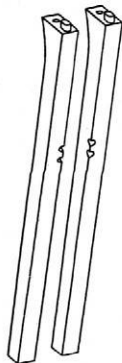
1



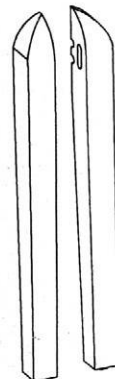
2



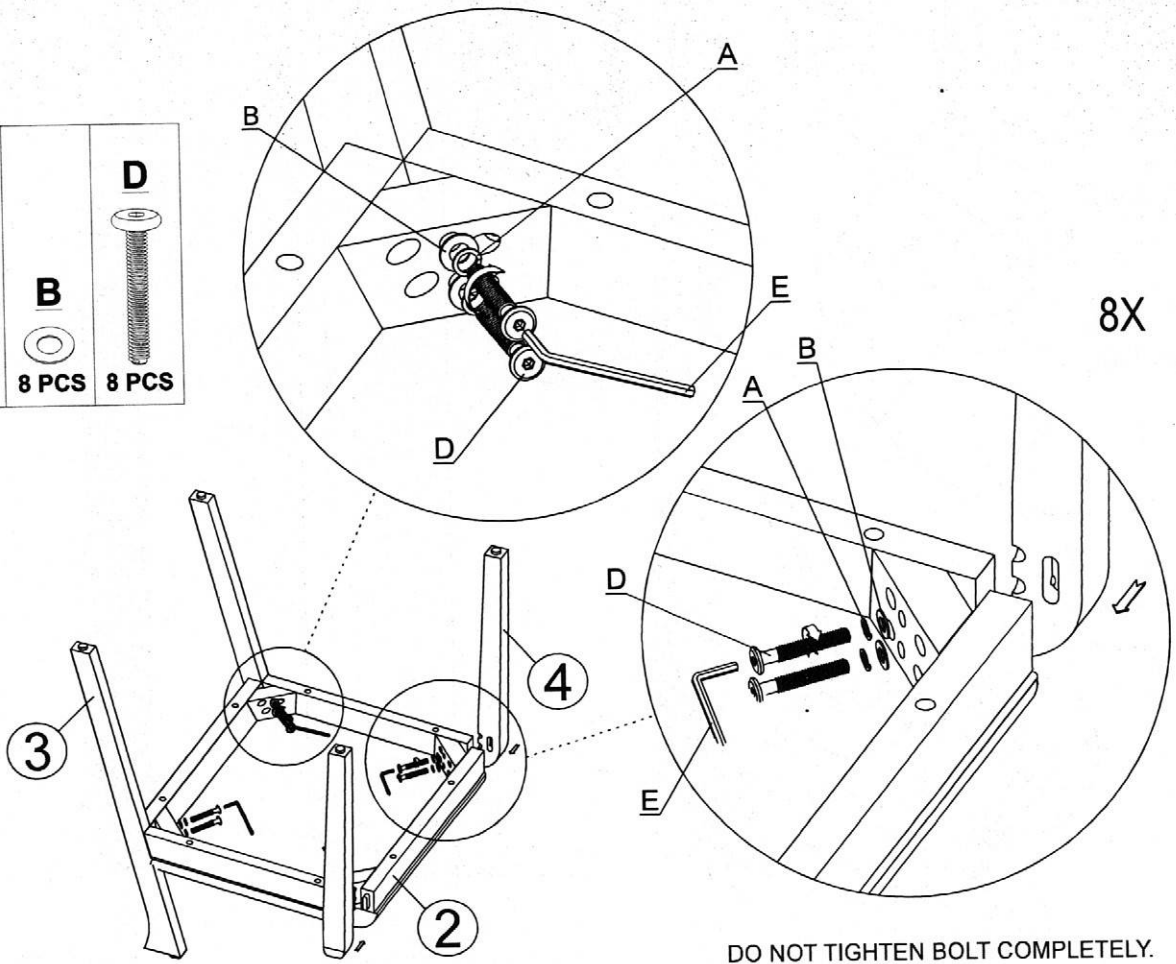
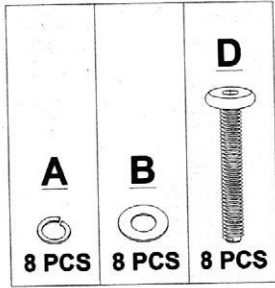
3



4

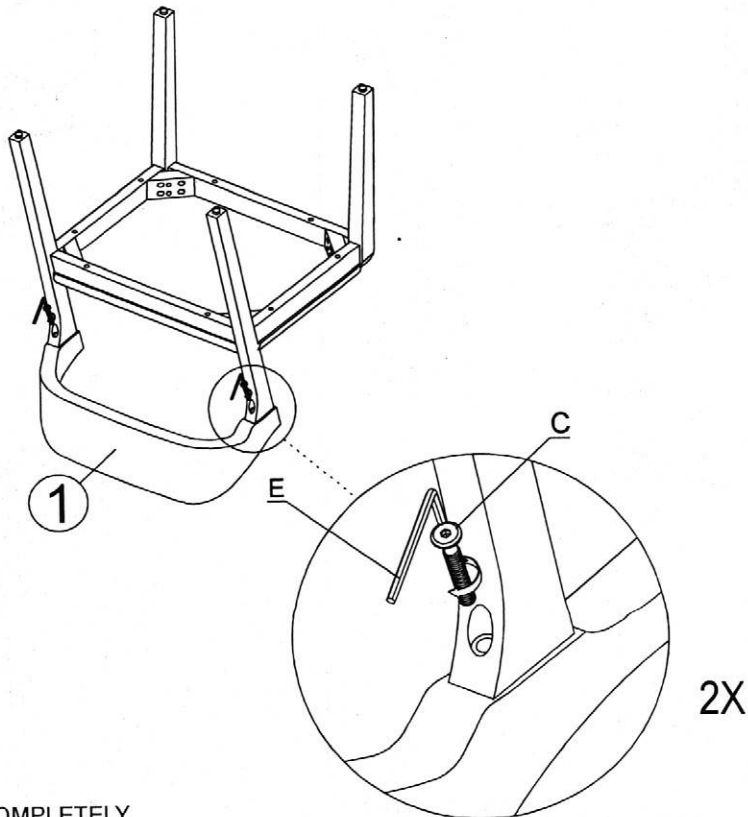


01

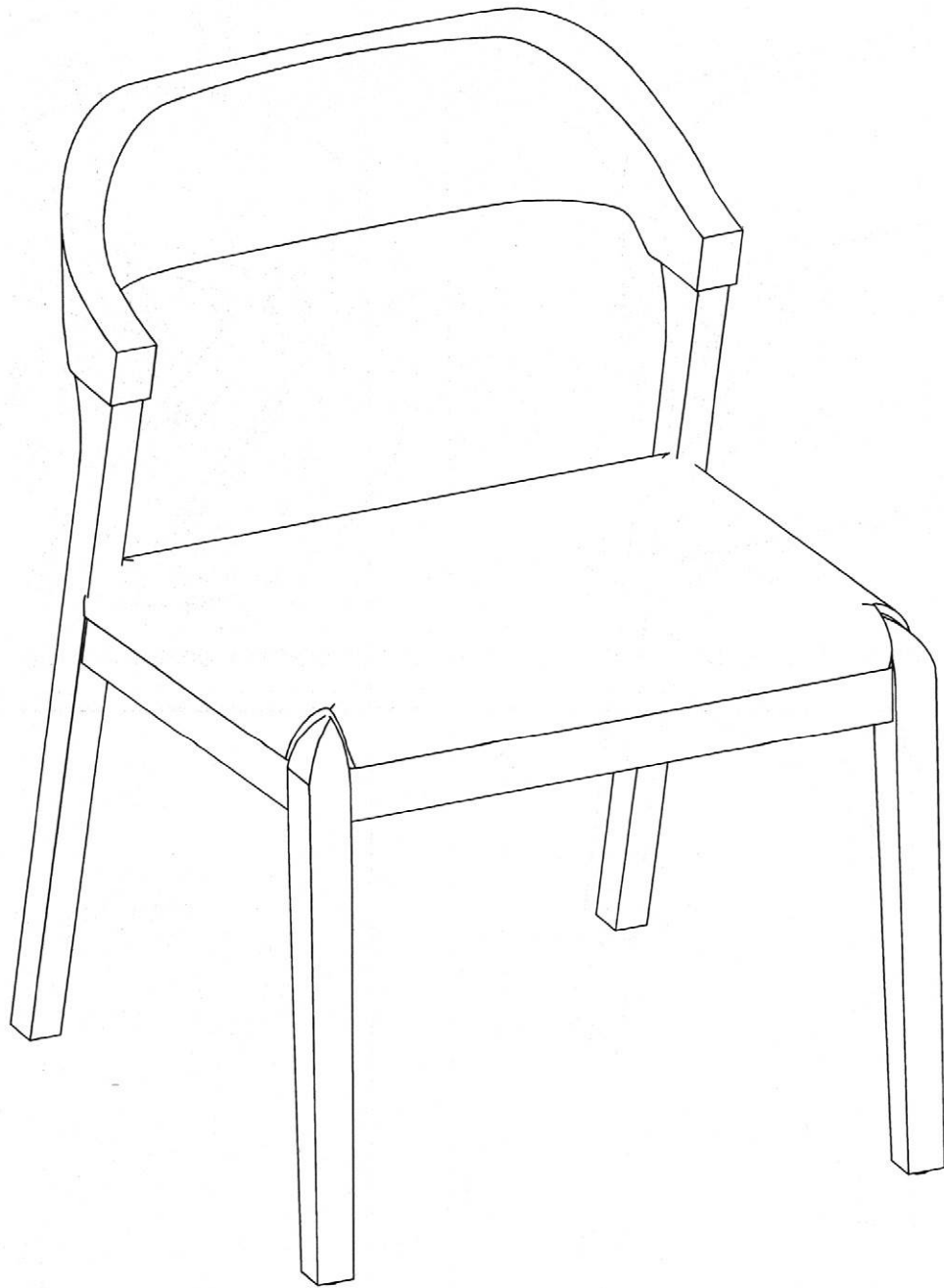


DO NOT TIGHTEN BOLT COMPLETELY.

02



TIGHTEN BOLT COMPLETELY.



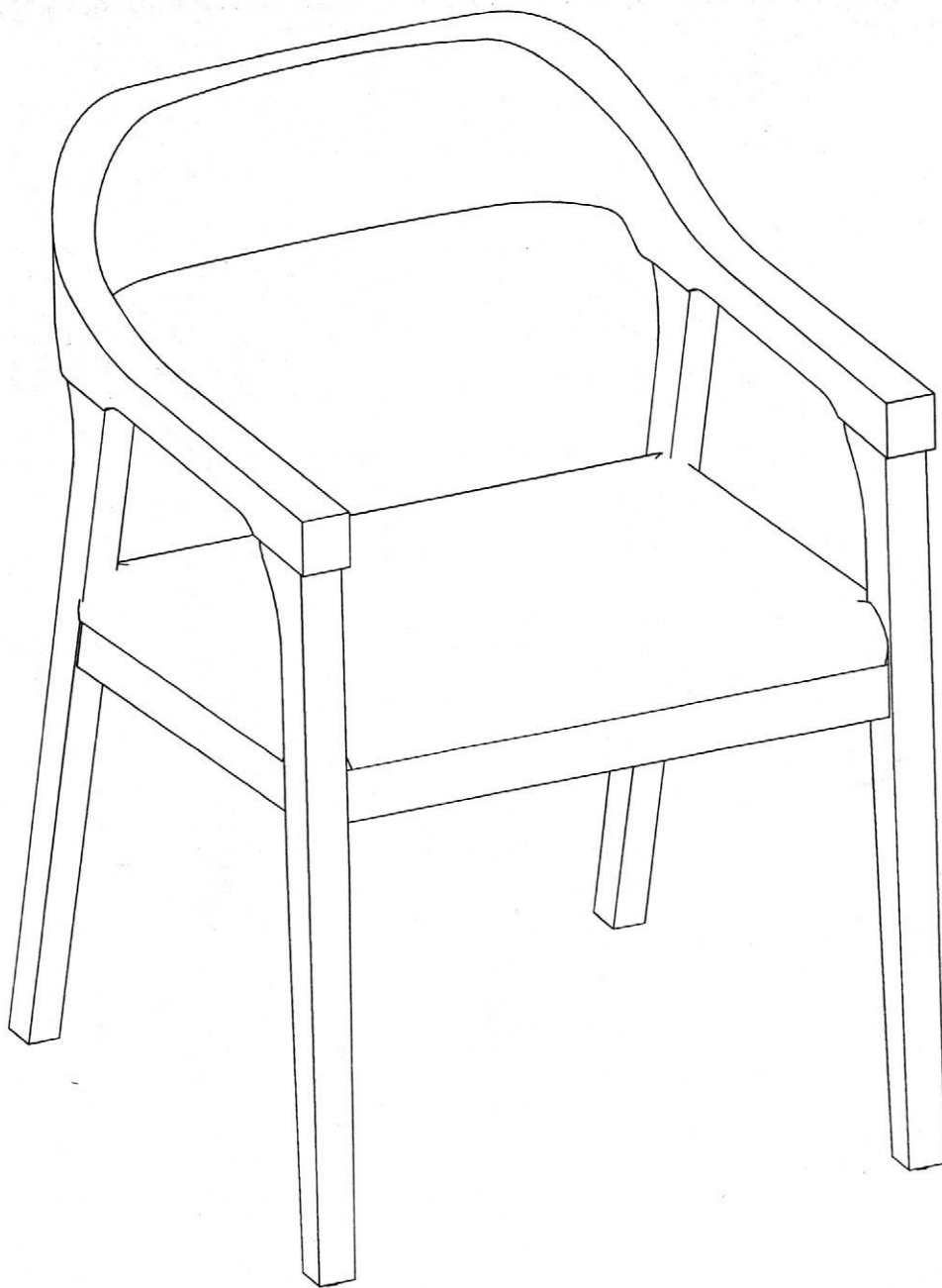
BE SURE TO CHECK ALL BOLTS ARE SECURELY
TIGHTENED PRIOR USING THIS STOOL.



Boraam Industries

RASMUS DINING ARM CHAIR

ASSEMBLY INSTRUCTIONS





PLEASE READ ME FIRST



- Have questions about assembling your item?



- Item or parts damaged?



- Missing a part?



- We're here to help!



(847)949-6300 (M-F, 9am-5pm CST)



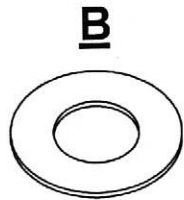
www.boraamindustries.com



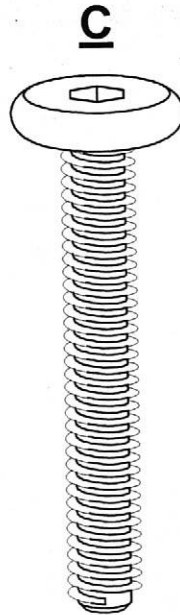
customerservice@boraamindustries.com



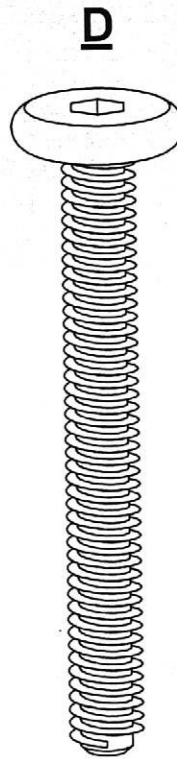
A
M8*10
8 PCS



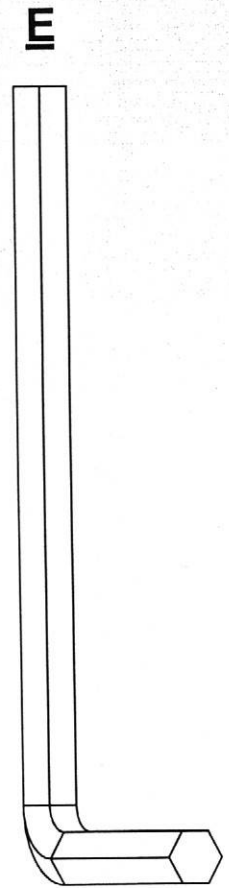
B
M8*16
8 PCS



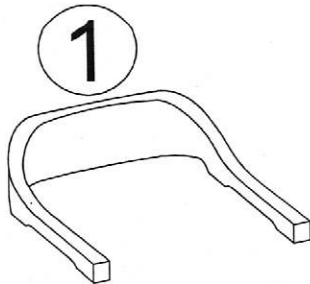
C
M8*50
4 PCS



D
M8*70
8 PCS



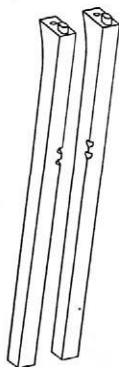
E
M4*110
1 PC



1



2

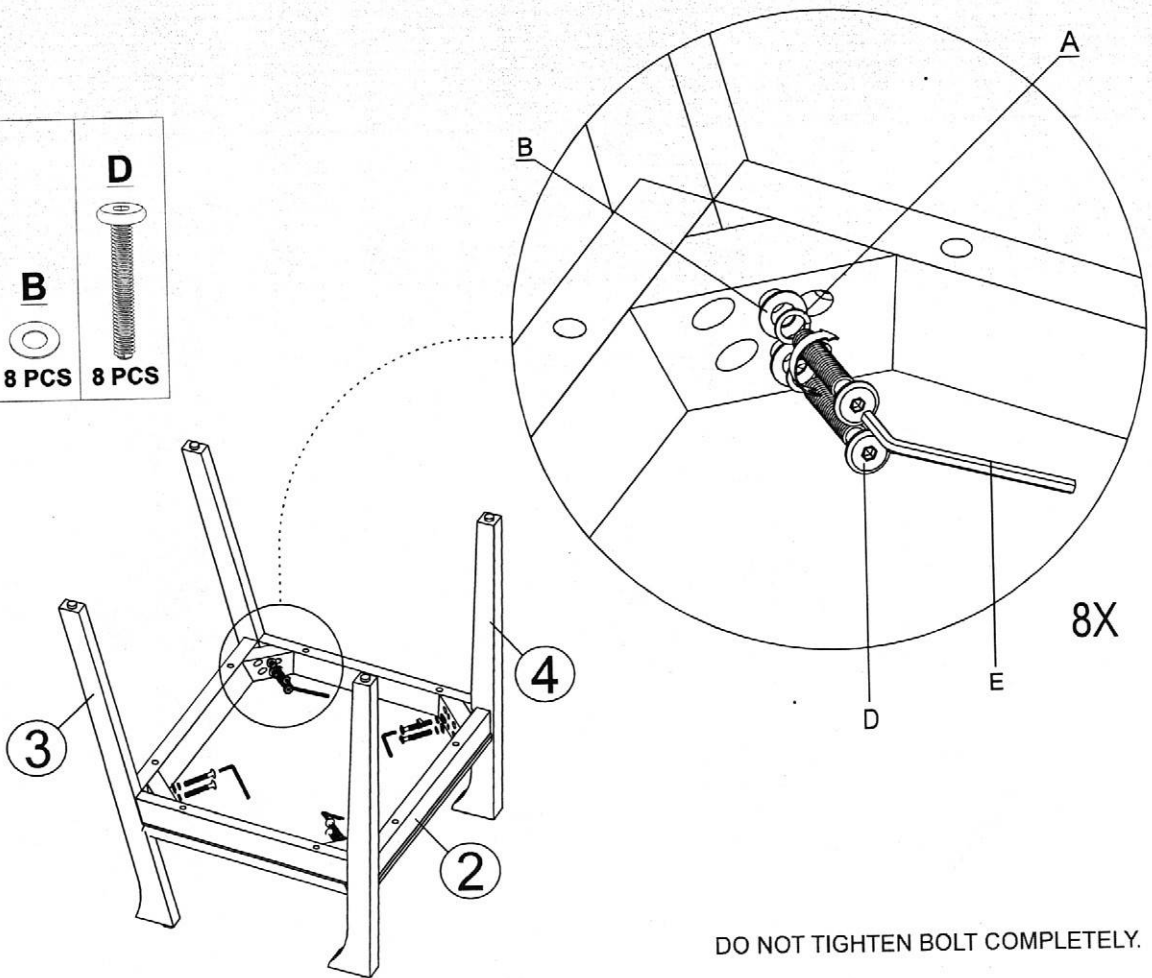
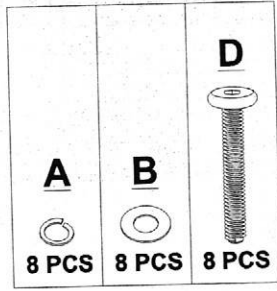


3

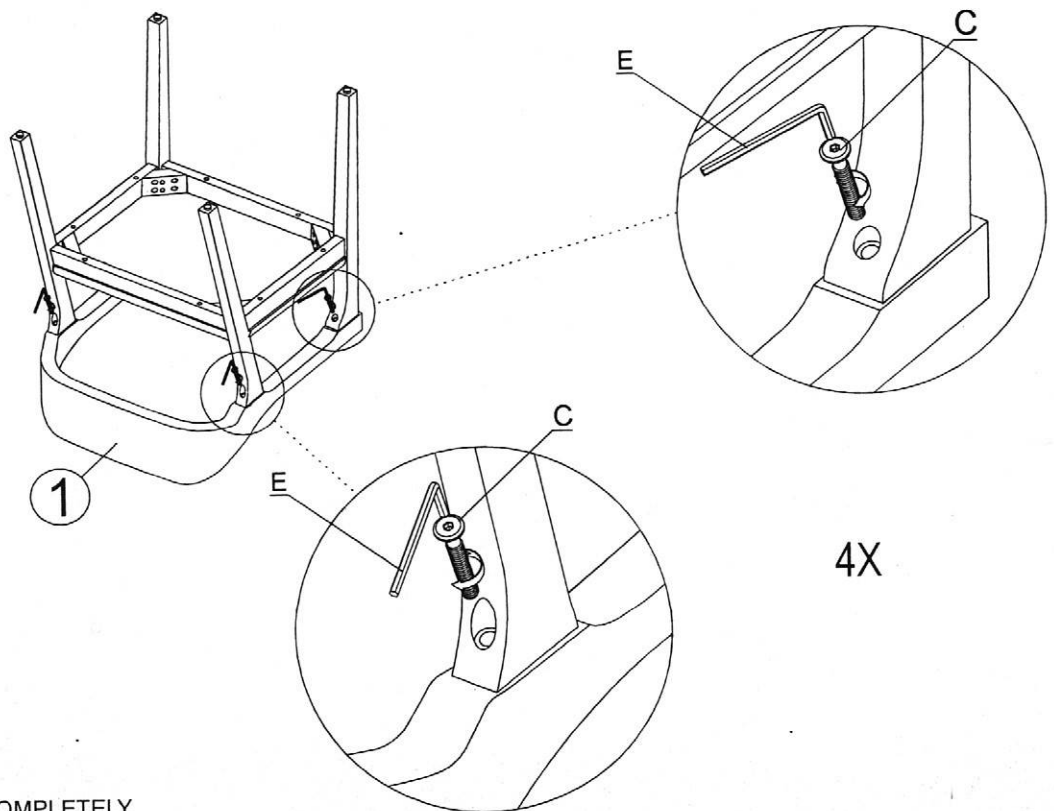
4

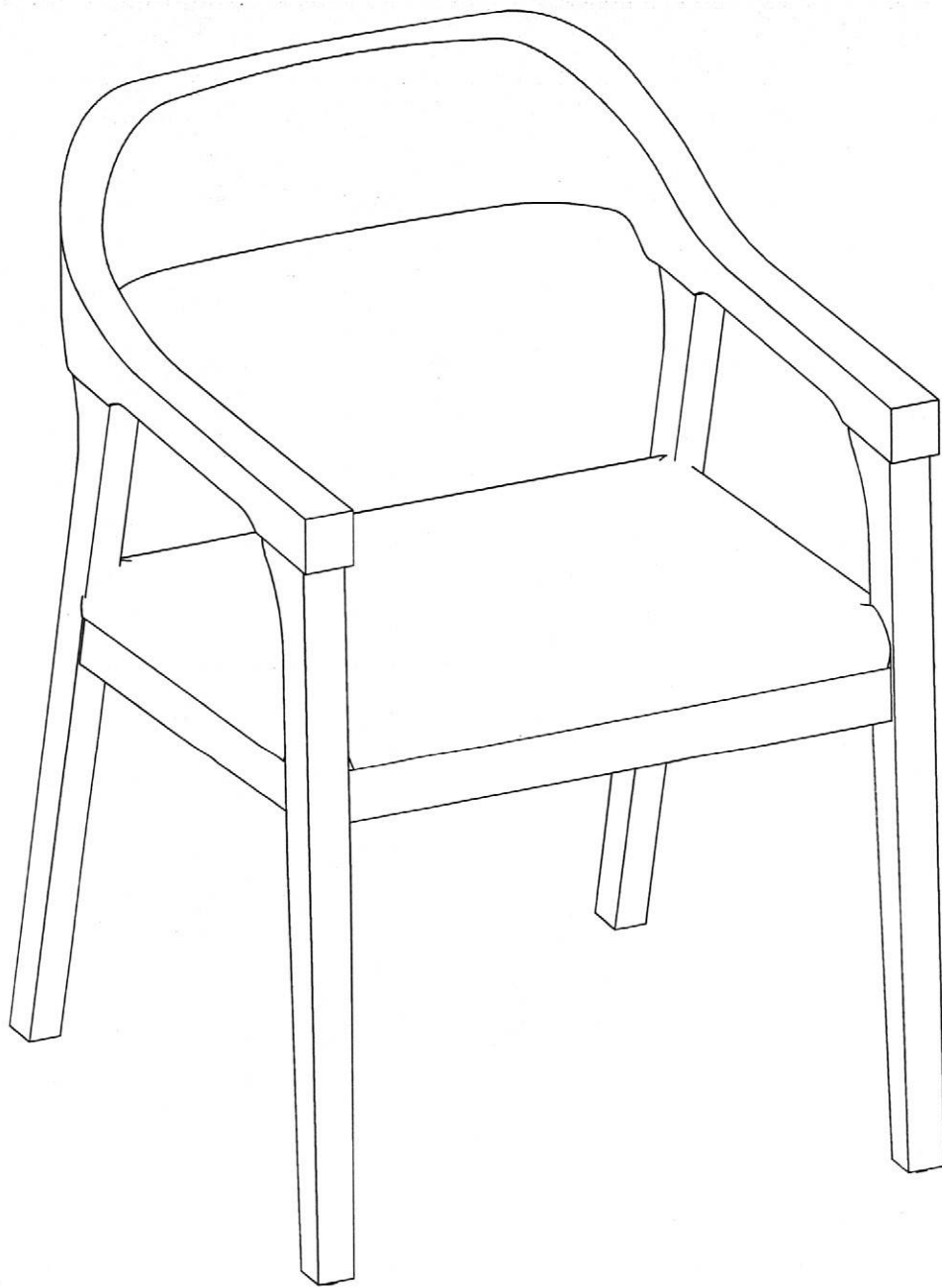


01



02

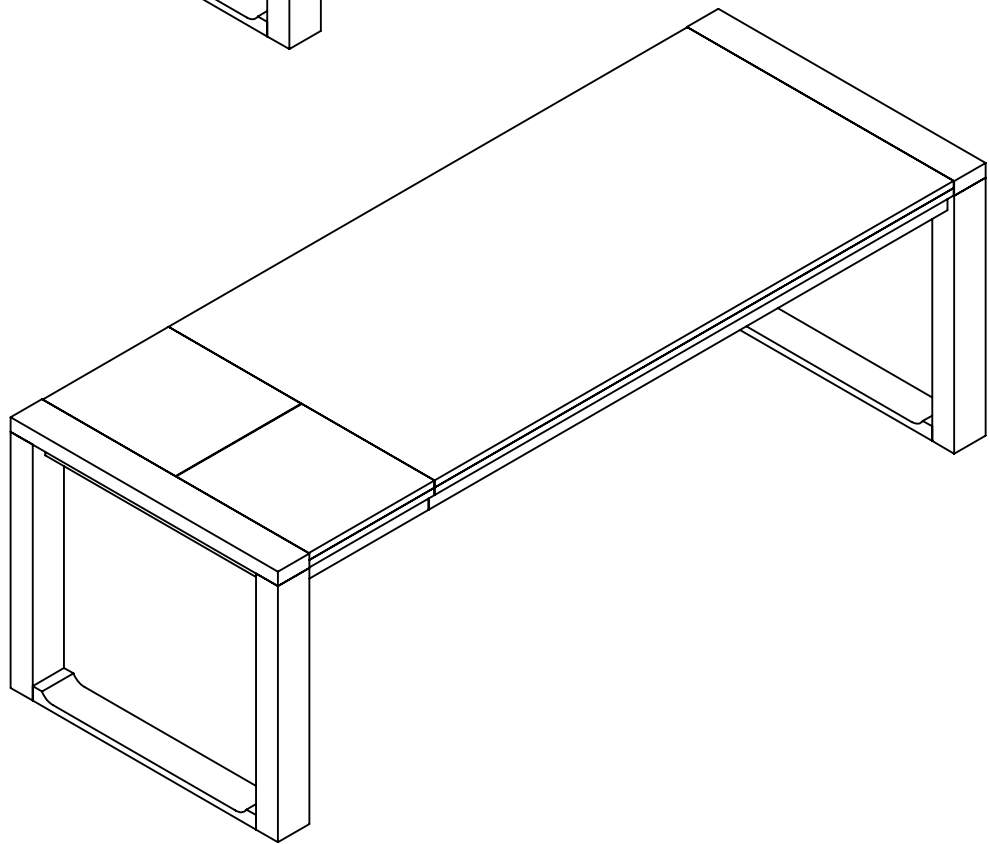
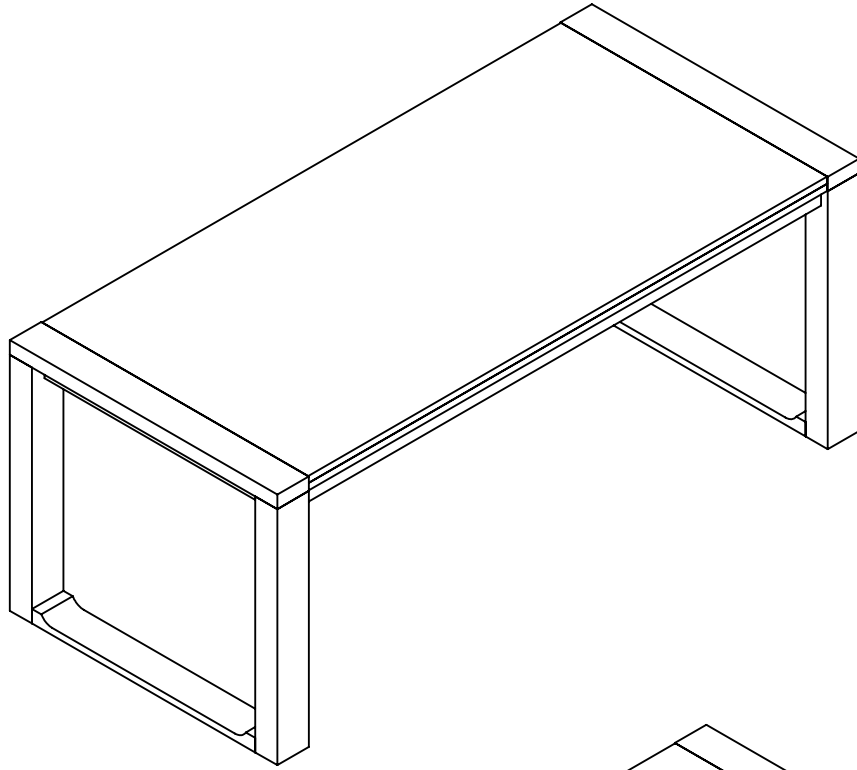




BE SURE TO CHECK ALL BOLTS ARE SECURELY
TIGHTENED PRIOR USING THIS STOOL.



Boraam Industries
RASMUS EXTENSION DINING TABLE
ASSEMBLY INSTRUCTIONS





PLEASE READ ME FIRST



- Have questions about assembling your item?



- Item or parts damaged?



- Missing a part?



- We're here to help!



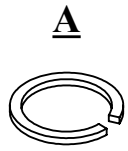
(847)949-6300 (M-F, 9am-5pm CST)



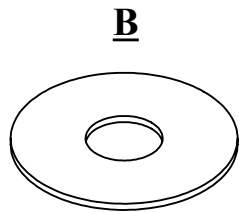
www.boraamindustries.com



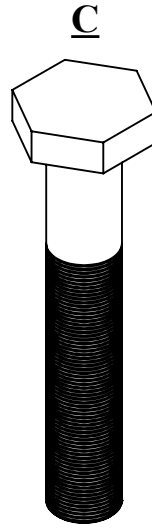
customerservice@boraamindustries.com



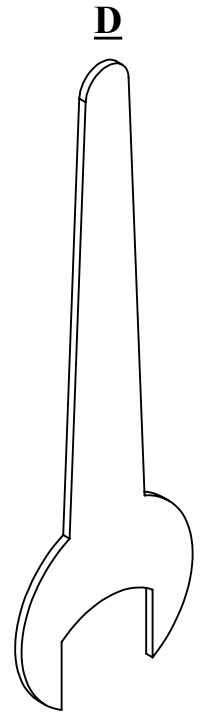
12PCS
M10*10



12PCS
M10*30

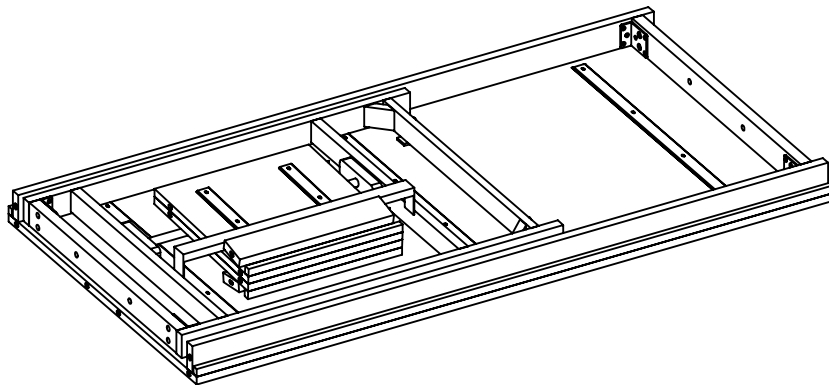


12PCS
M10*60

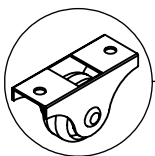
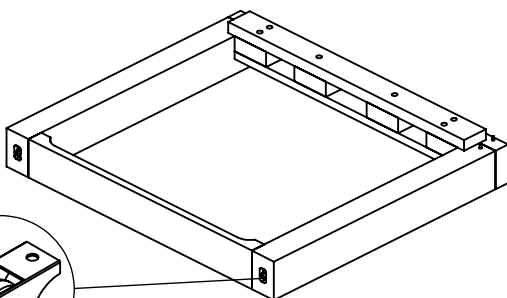


1PC
Allen Wrench
M17*100

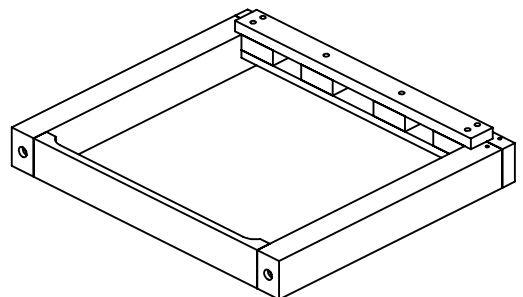
①



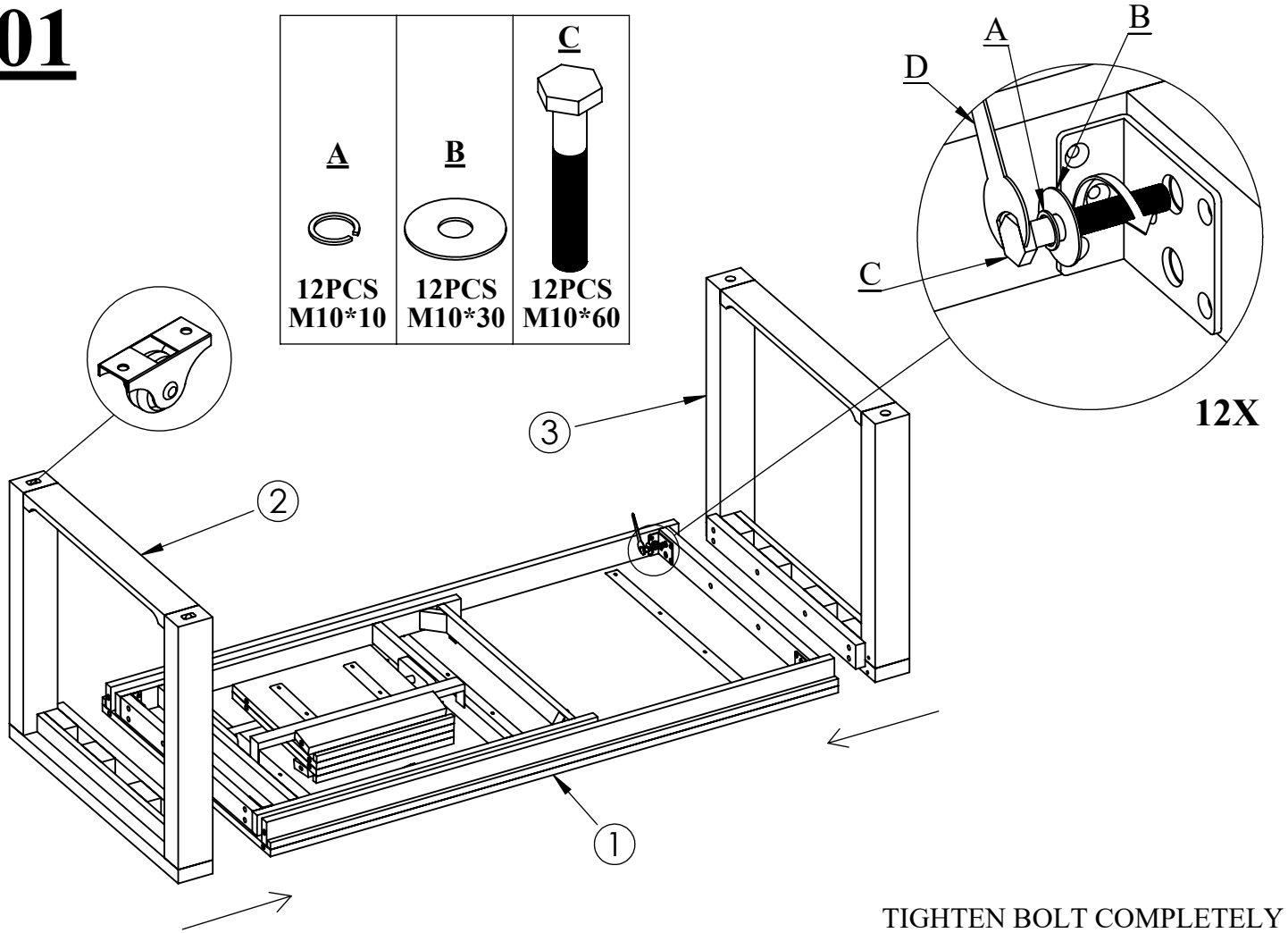
②



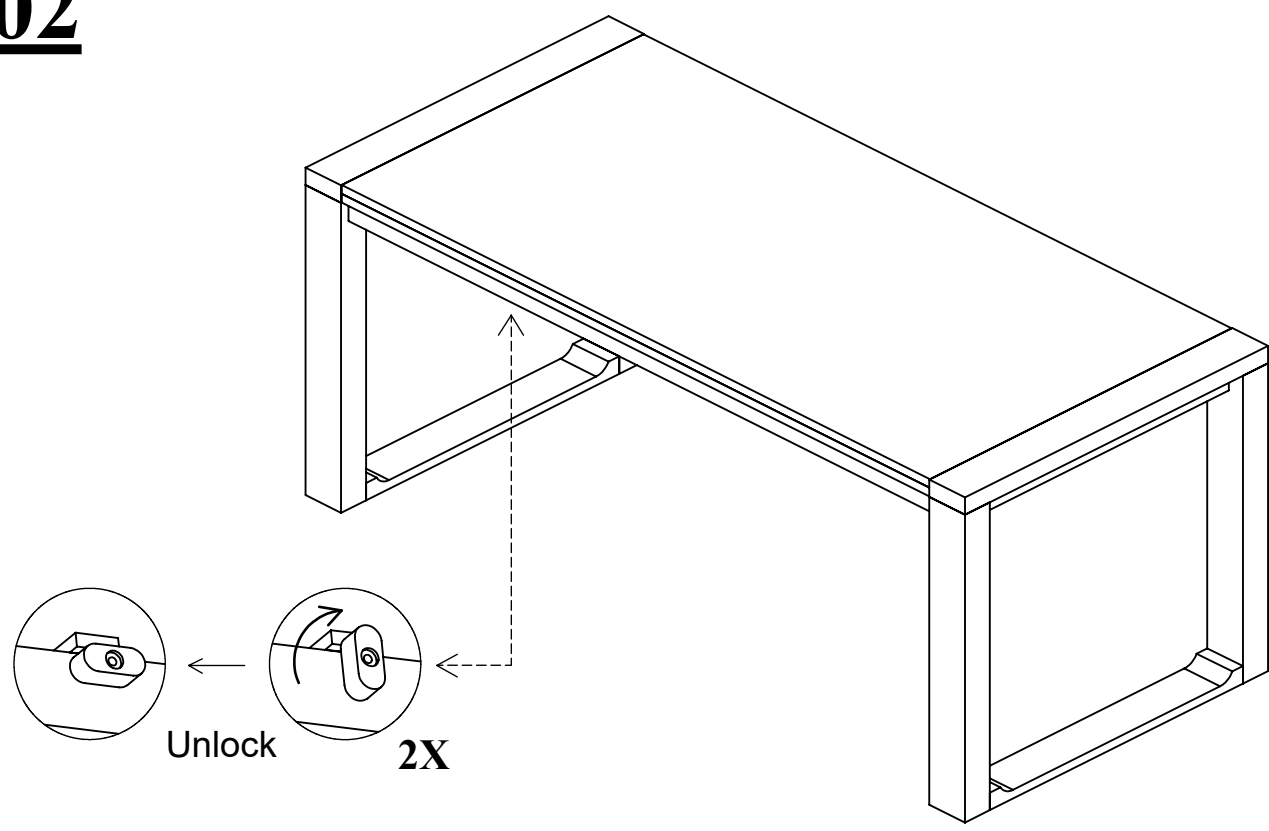
③



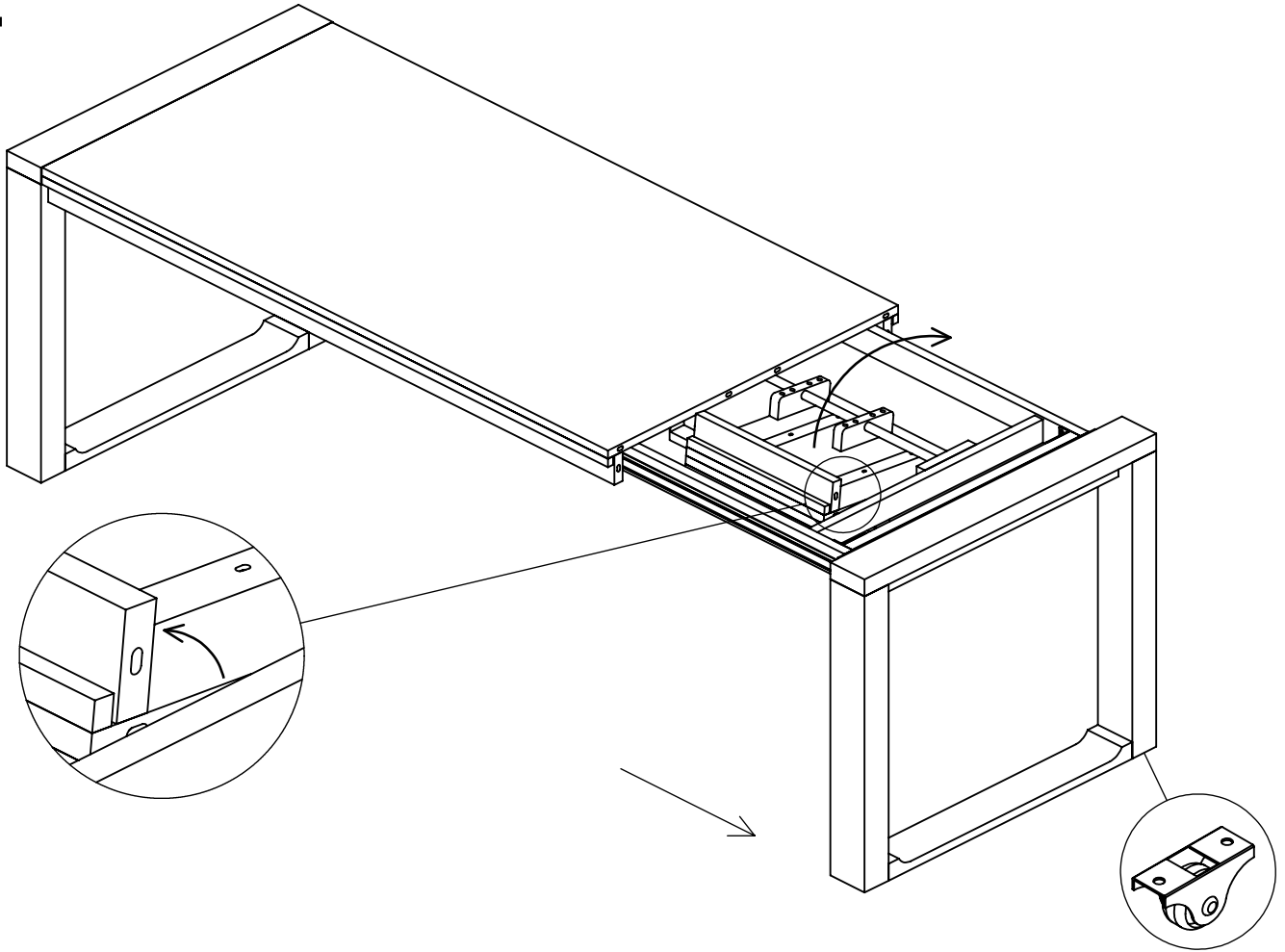
01



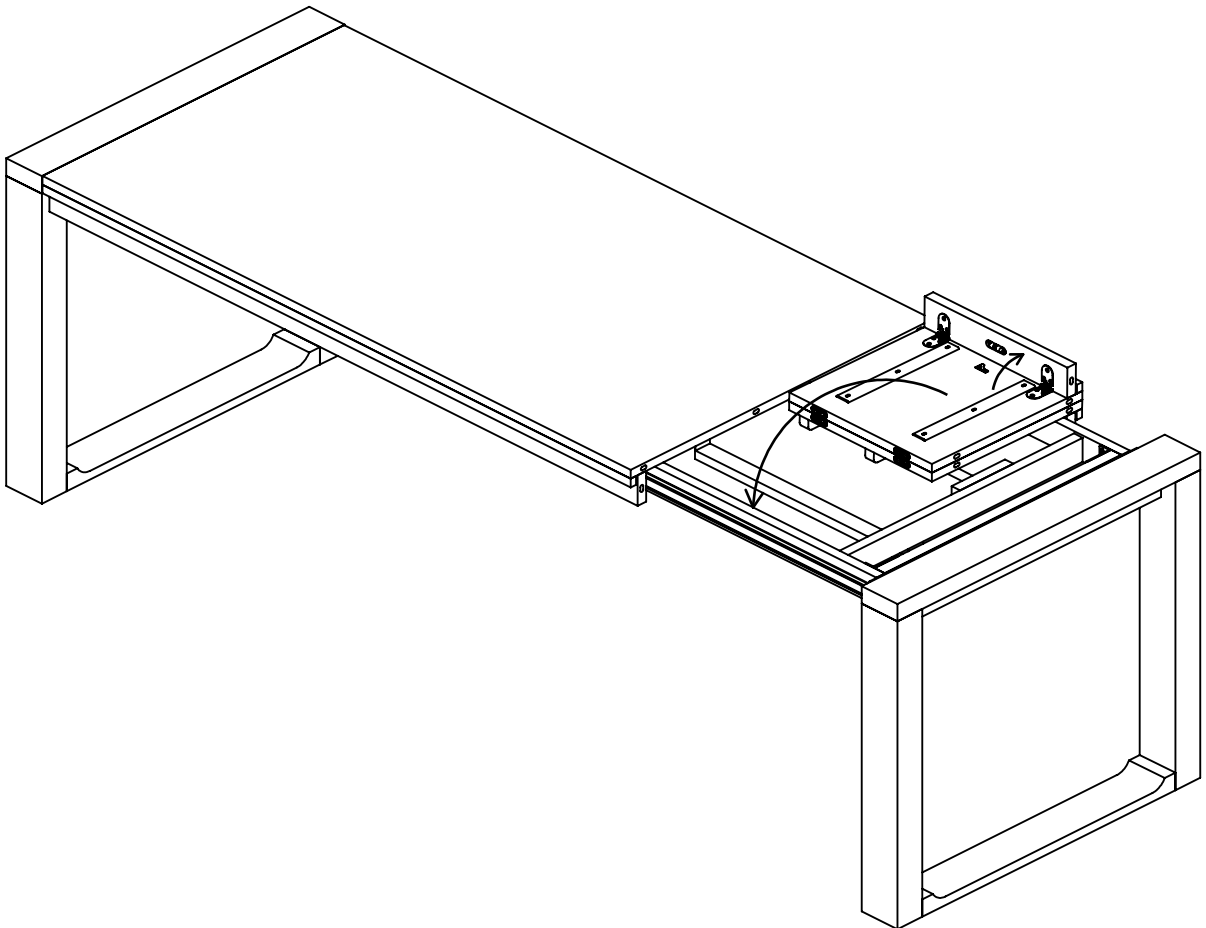
02



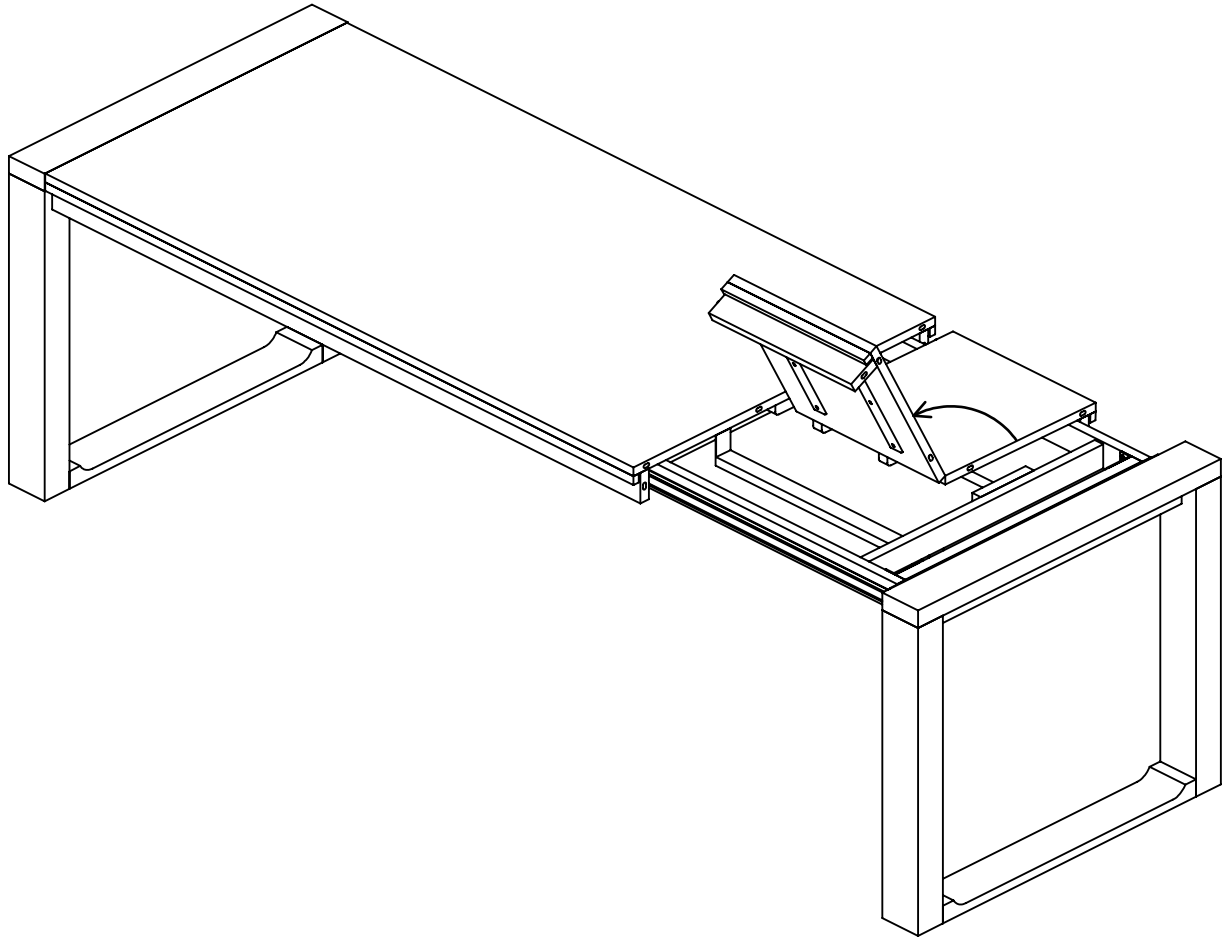
03



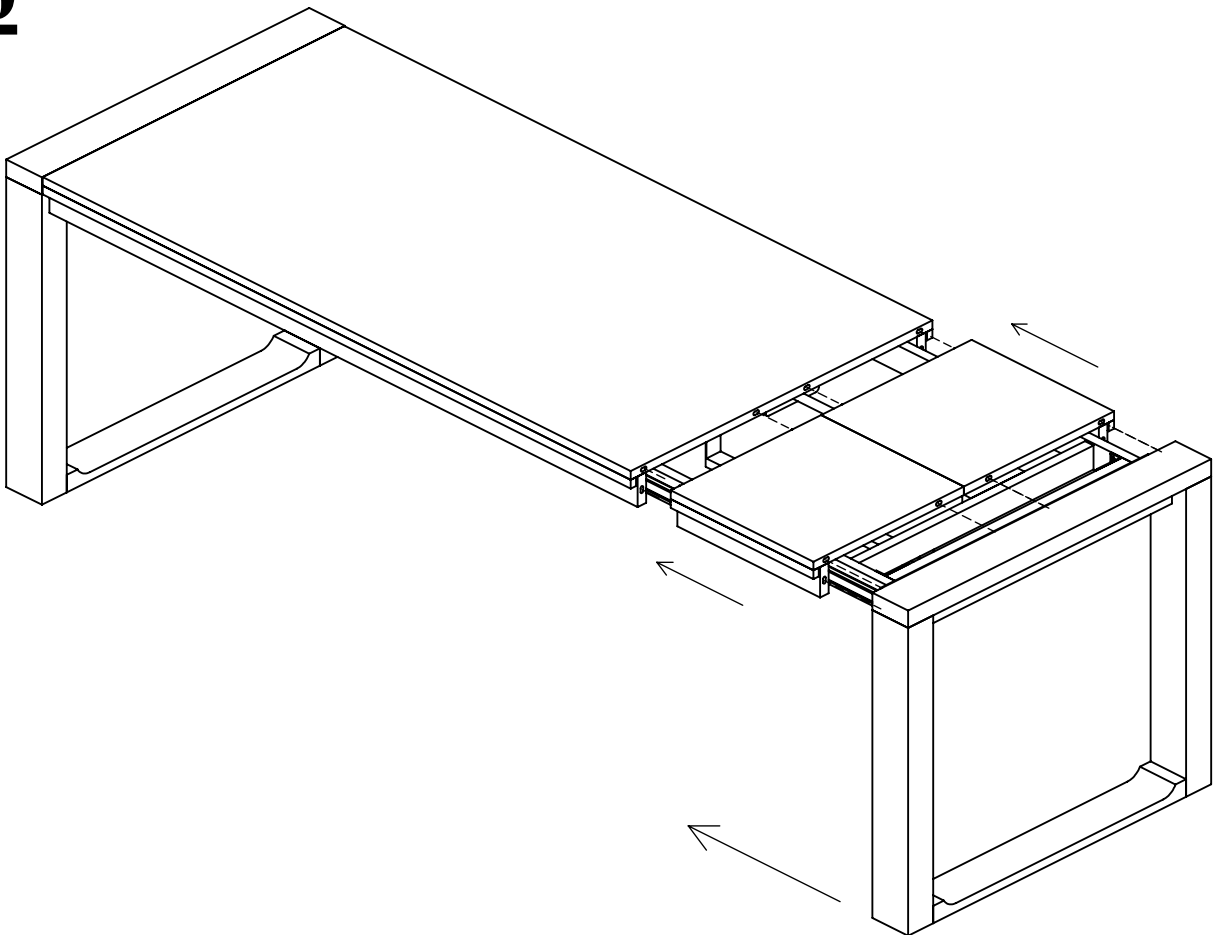
04

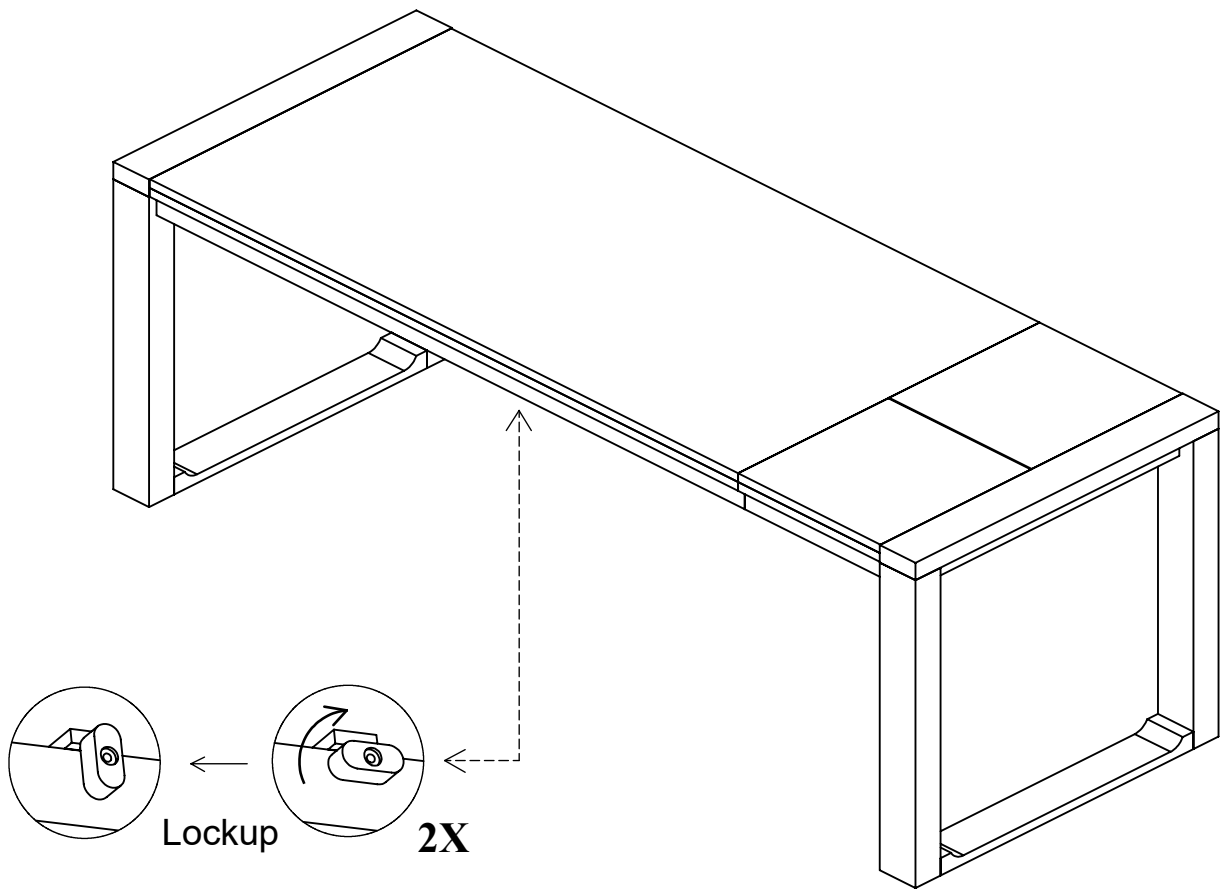


05



06





BE SURE TO CHECK ALL BOLTS SECURELY
TIGHTENED PRIOR USING THIS TABLE