



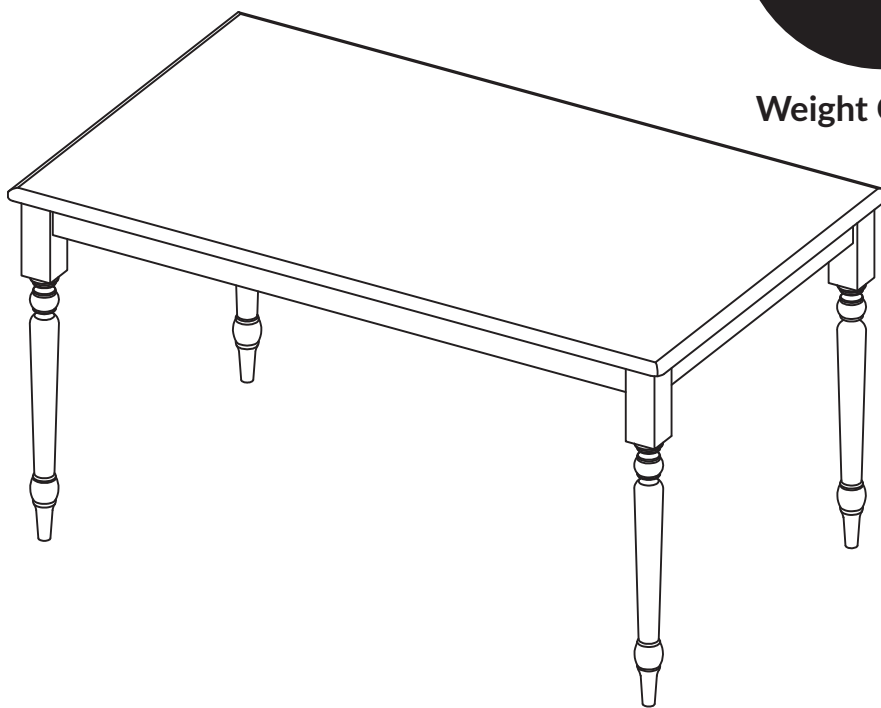
# Boraam Industries

ASSEMBLY INSTRUCTIONS

SKU: 70369 | FARMHOUSE TABLE



Weight Capacity



08/2023



Have questions about assembling your item?



Items or parts damaged?



Missing a part?

**We're here to help! (Monday-Friday from 9am-5pm CST)**



847-949-6300  
877-267-2261



customerservice@  
boraamindustries.com



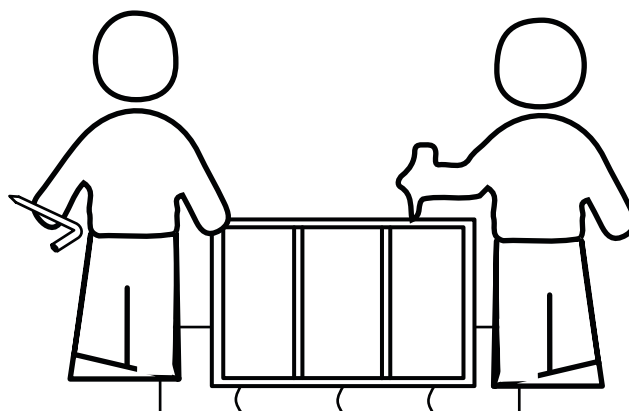
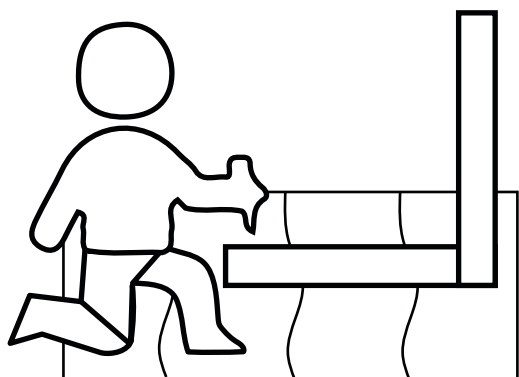
www.boraamindustries.com



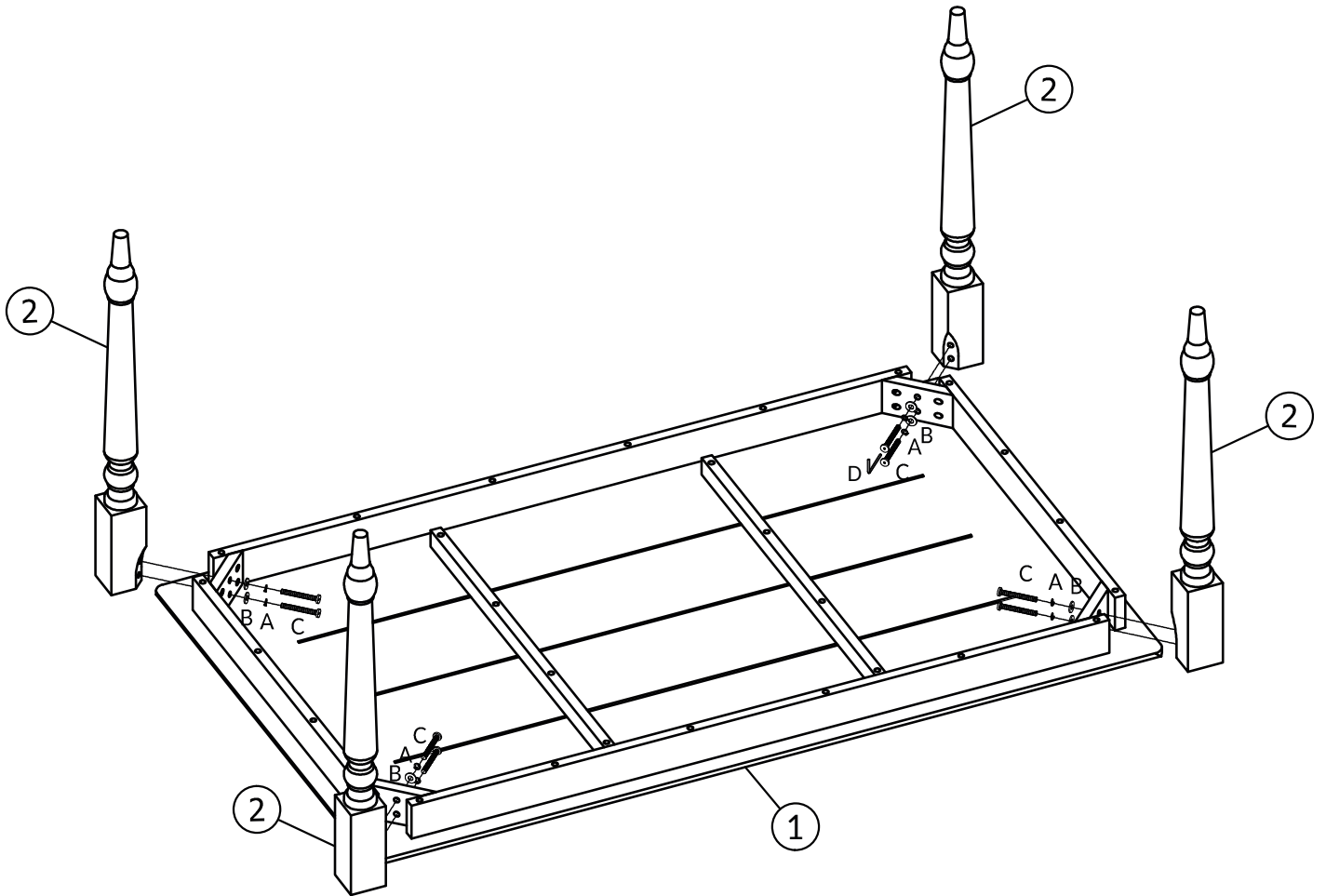
Philips screwdriver  
not included.

# Assembly And Care

- All required tools for assembly are included unless noted.
- Locate and inspect all parts for missing items or damage prior to assembly.
- Do not dispose of packing materials until assembly is completed.
- Assemble item on a soft, clean surface to prevent damage to the item.
- Proper assembly requires 2 people.



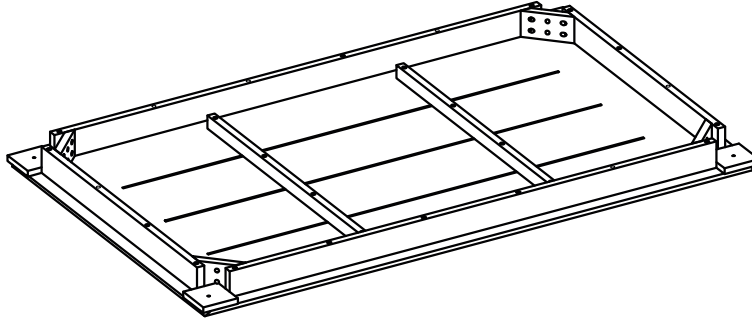
# Assembly Overview



# PARTS

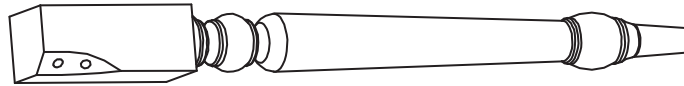
① (x1)

Top Panel:



② (x4)

Leg:



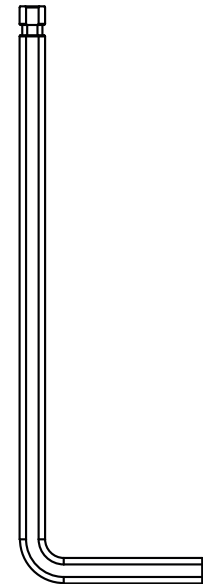
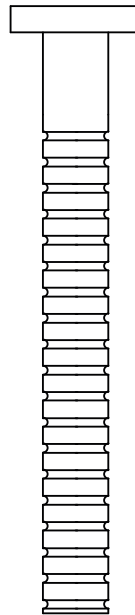
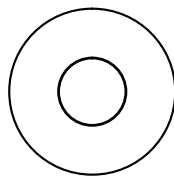
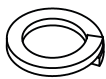
# HARDWARE

Ⓐ (x8)

Ⓑ (x8)

Ⓒ (x8)

Ⓓ (x1)



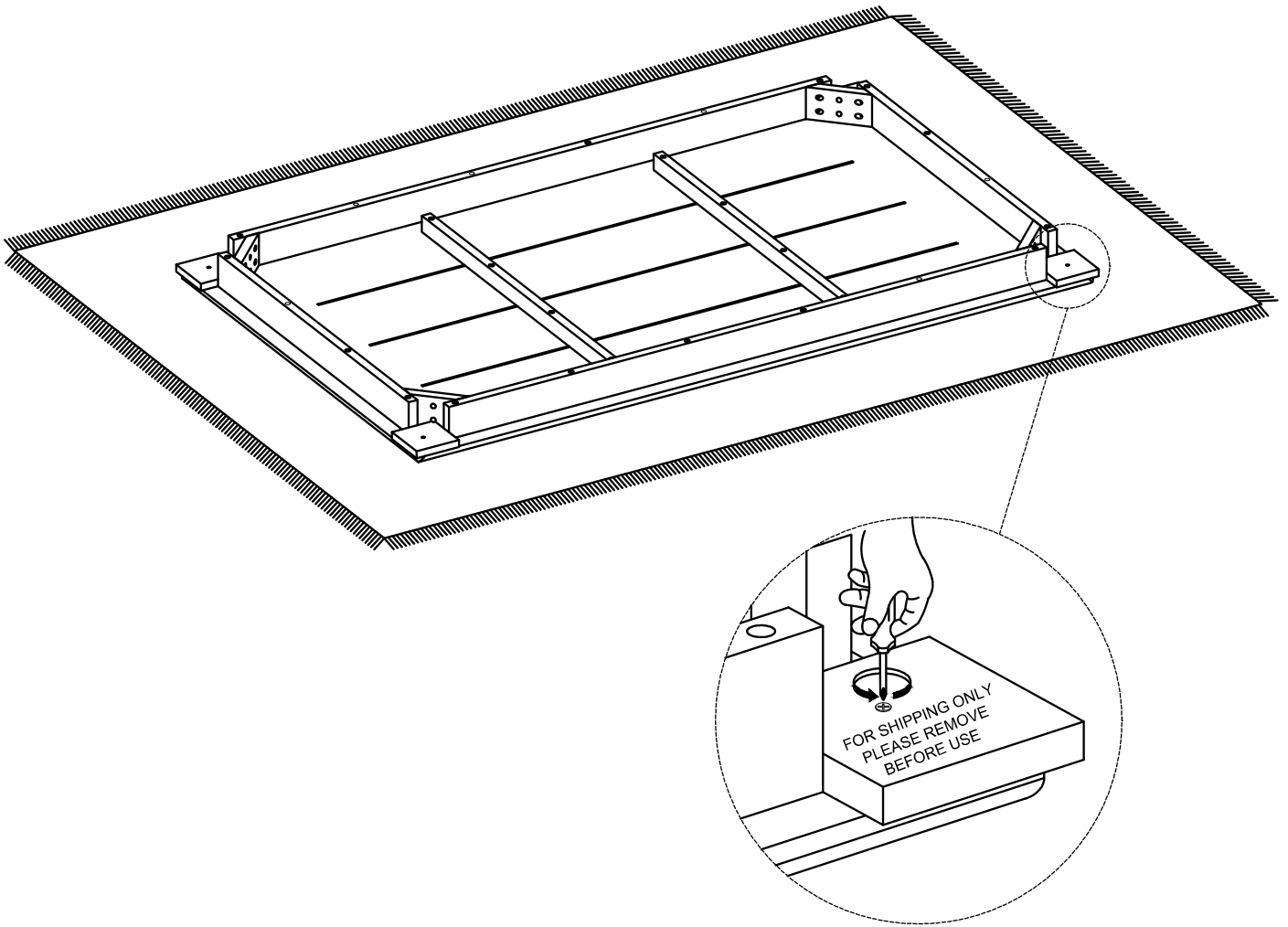
Spring Washer

Flat Washer

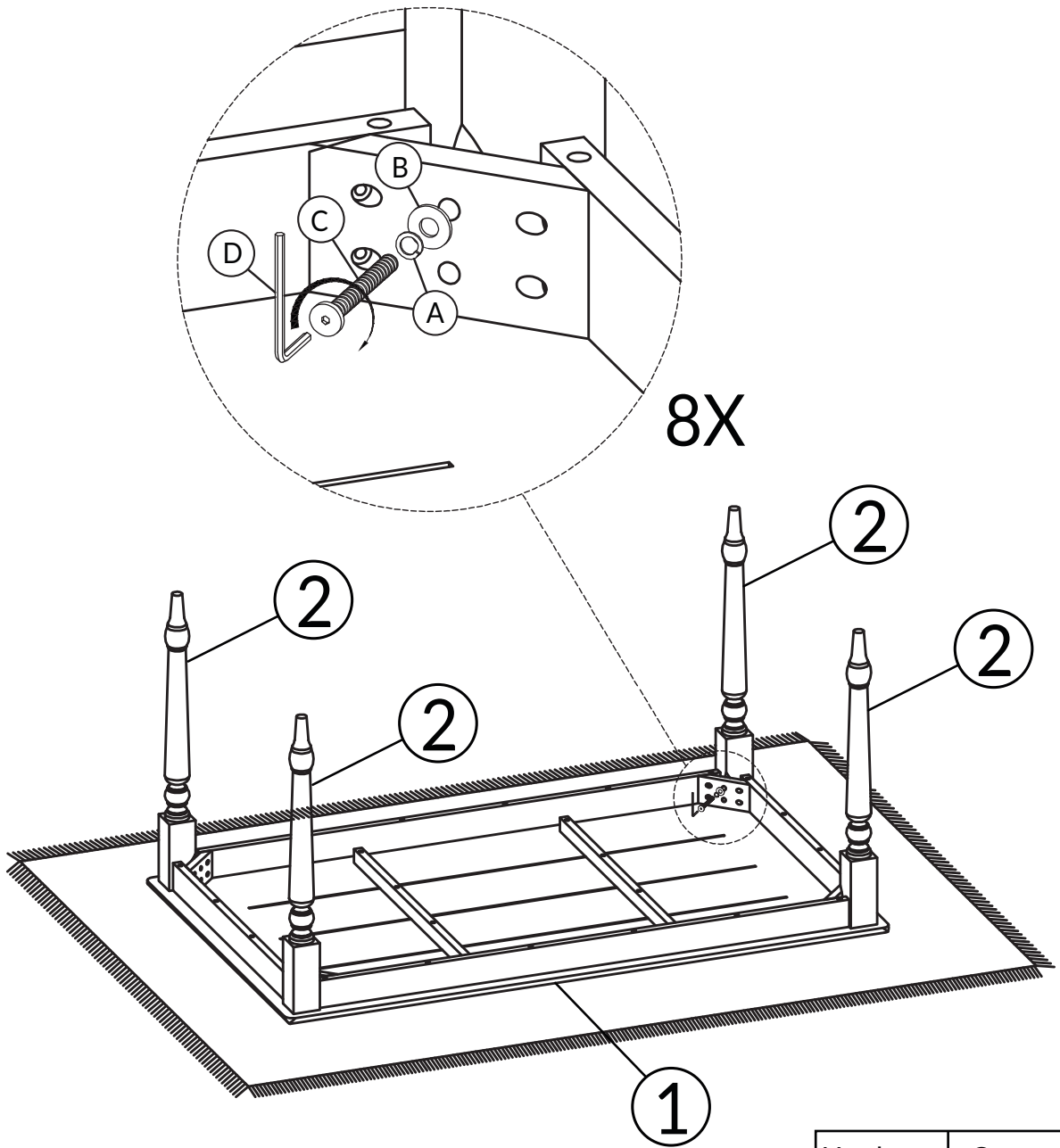
Bolt  
M8x70

Allen  
Wrench

# 01



# 02

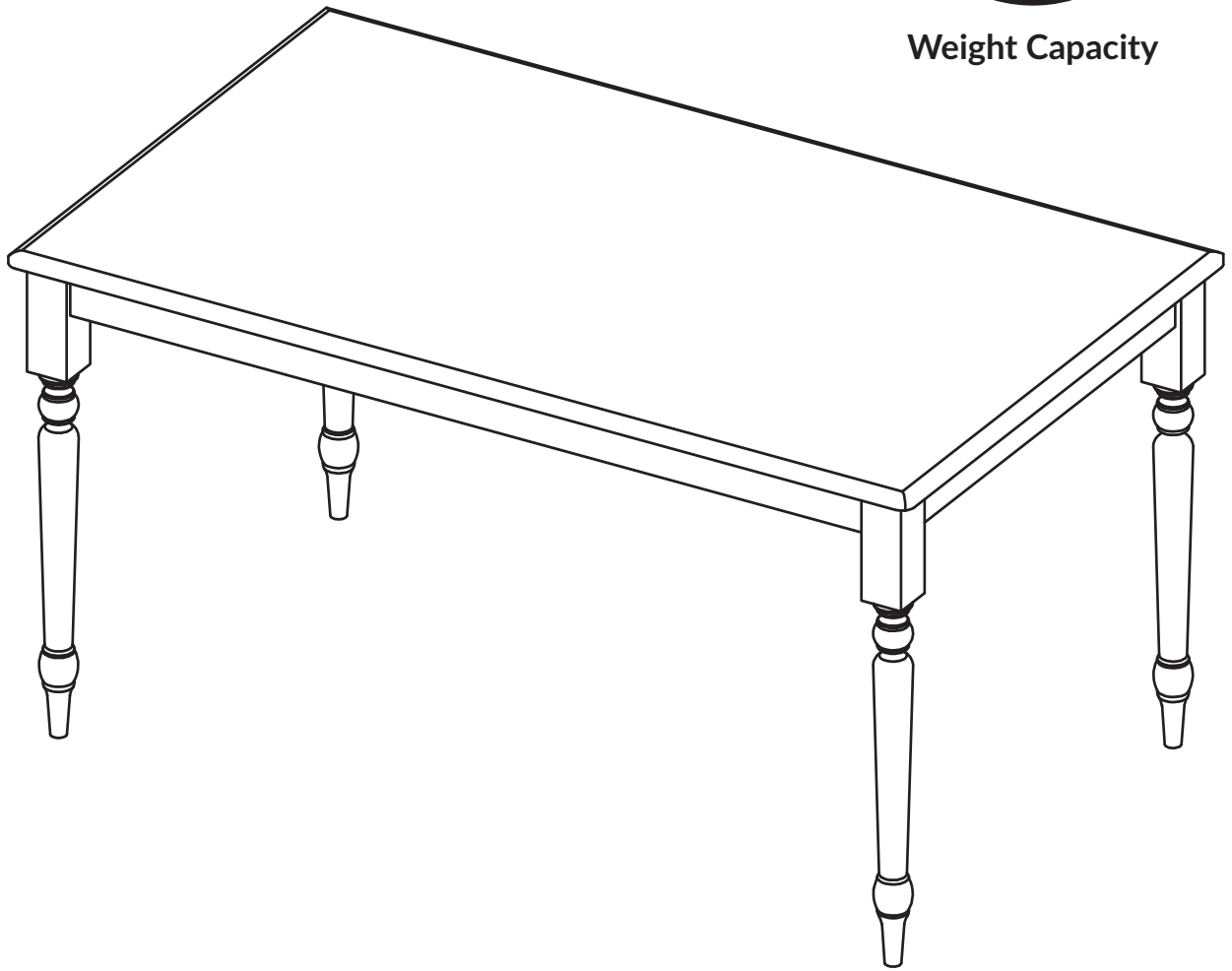


Hardware	Count
A	8
B	8
C	8
D	1

TIGHTEN BOLT COMPLETELY.



**Weight Capacity**



**BE SURE TO CHECK ALL BOLTS ARE SECURELY TIGHTENED PRIOR TO USE.**

847-949-6300 | 877-267-2261 | [customerservice@boraamindustries.com](mailto:customerservice@boraamindustries.com)



# Boraam Industries

ASSEMBLY INSTRUCTIONS

SKU: 31316,31516,31616 | FARMHOUSE DINING CHAIR



Weight Capacity

08/2023



Have questions about assembling your item?



Items or parts damaged?



Missing a part?

**We're here to help! (Monday-Friday from 9am-5pm CST)**



847-949-6300  
877-267-2261



customerservice@  
boraamindustries.com



www.boraamindustries.com

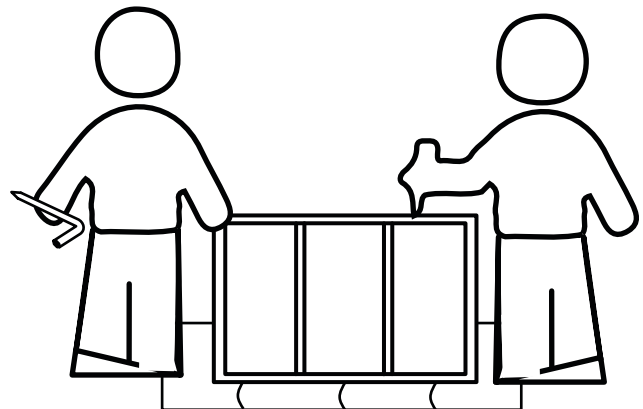
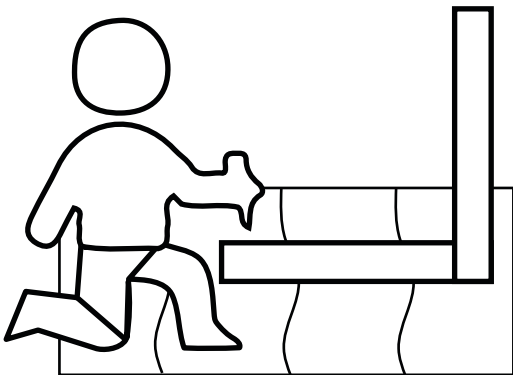
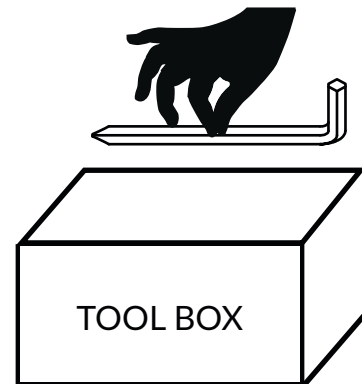




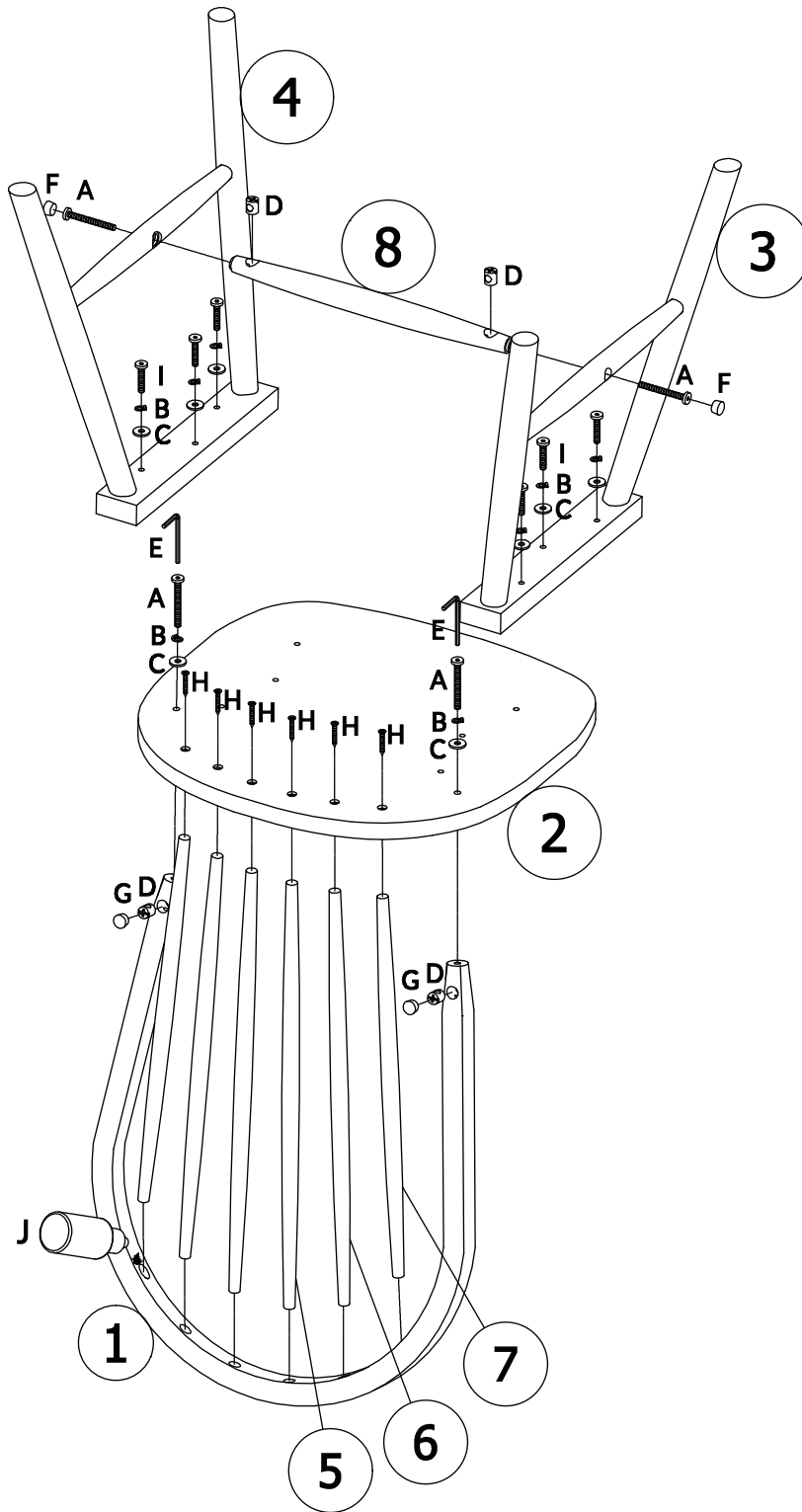
Philips screwdriver  
not included.

# Assembly And Care

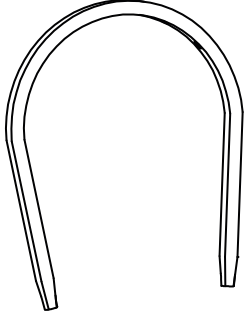
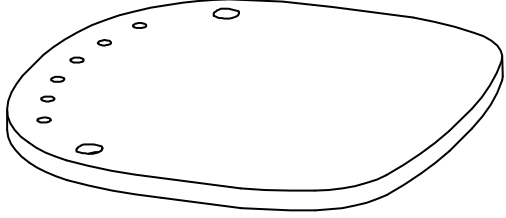
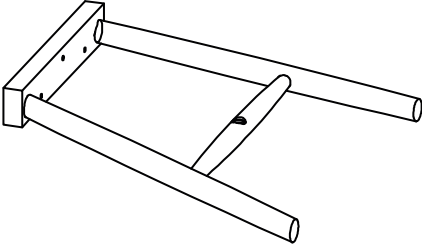
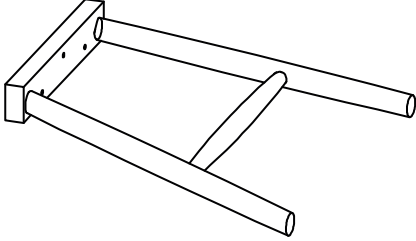

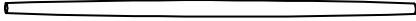

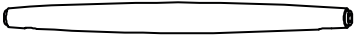
- All required tools for assembly are included unless noted.
- Locate and inspect all parts for missing items or damage prior to assembly.
- Do not dispose of packing materials until assembly is completed.
- Assemble item on a soft, clean surface to prevent damage to the item.
- Proper assembly requires 2 people.



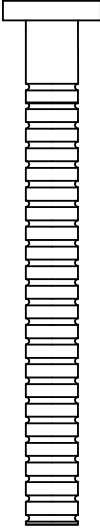

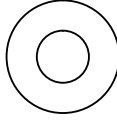


# Assembly Overview

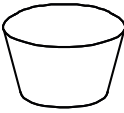

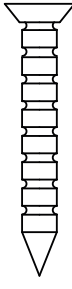
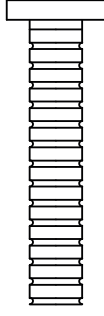



# PARTS

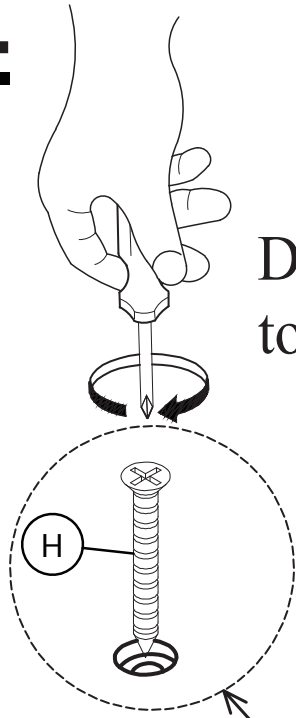
<p>① (x1)</p>	<p>② (x1)</p>
<p><b>Hoop:</b></p> 	<p><b>Seat:</b></p> 
<p>③ (x1)</p>	<p>④ (x1)</p>
<p><b>Leg Frame-Left:</b></p> 	<p><b>Leg Frame-Right:</b></p> 
<p>⑤ (x2)</p>	<p>⑥ (x2)</p>
<p><b>Long Spindle:</b></p> 	<p><b>Medium Spindle:</b></p> 
<p>⑦ (x2)</p>	<p>⑧ (x1)</p>
<p><b>Short Spindle:</b></p> 	<p><b>Crossbar:</b></p> 

# HARDWARE

Ⓐ (x4)	Ⓑ (x8)	Ⓒ (x8)	Ⓓ (x4)	Ⓔ (x1)
				
Bolt M6x60	Spring Washer	Flat Washer	Barrel Nut M6x13	Allen Wrench

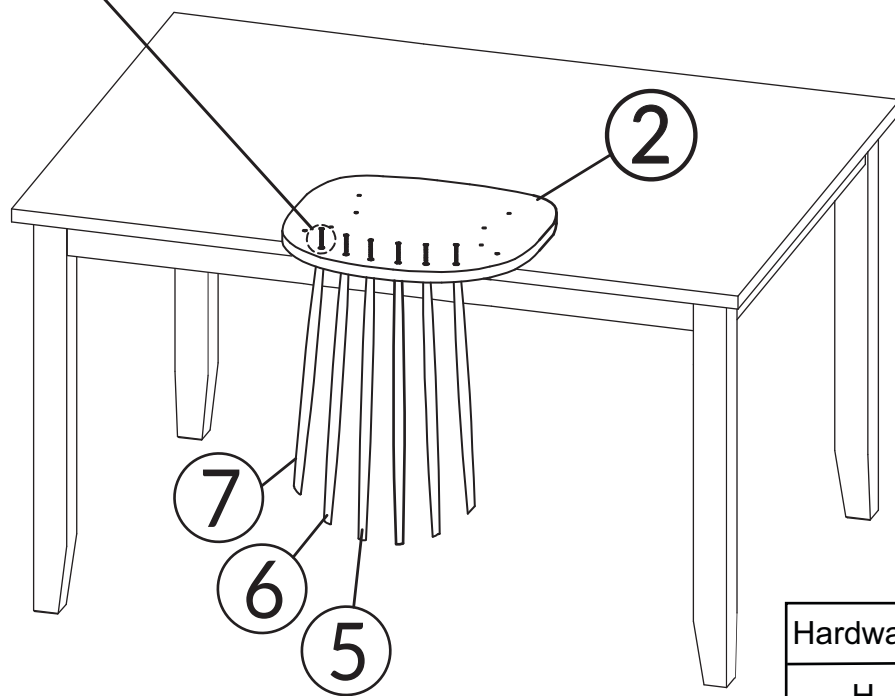
Ⓕ (x2)	Ⓖ (x2)	Ⓗ (x6)	Ⓙ (x6)	Ⓝ (x1)
				
Wood Button	Wood Button	Screw M4x30	Bolt M6x35	Glue Tube

**01**



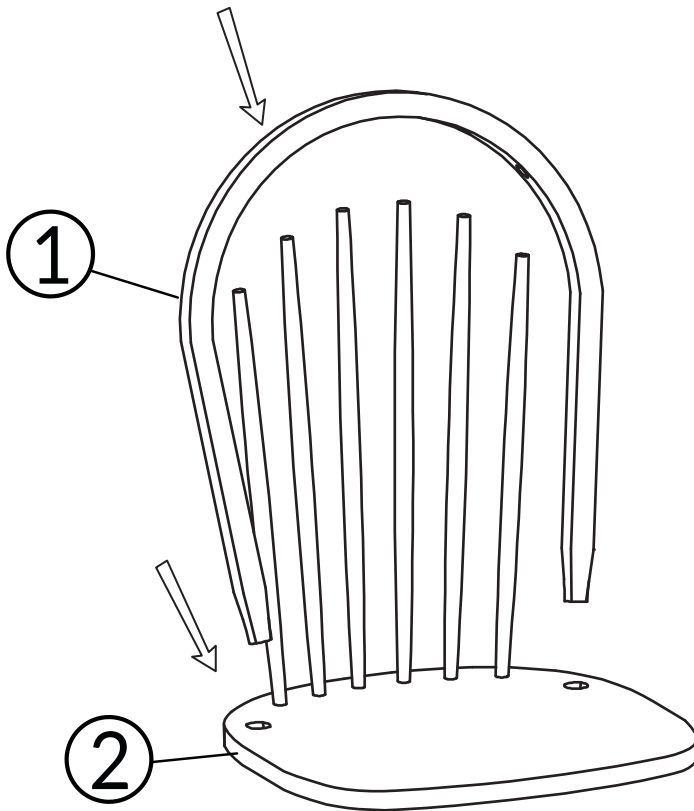
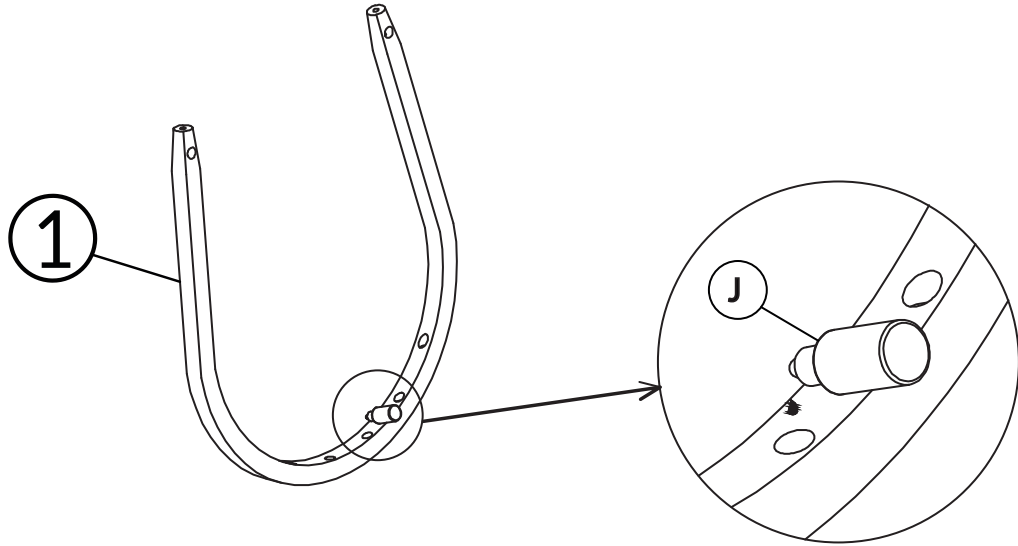
Do not use Power Tools to assemble.

6X



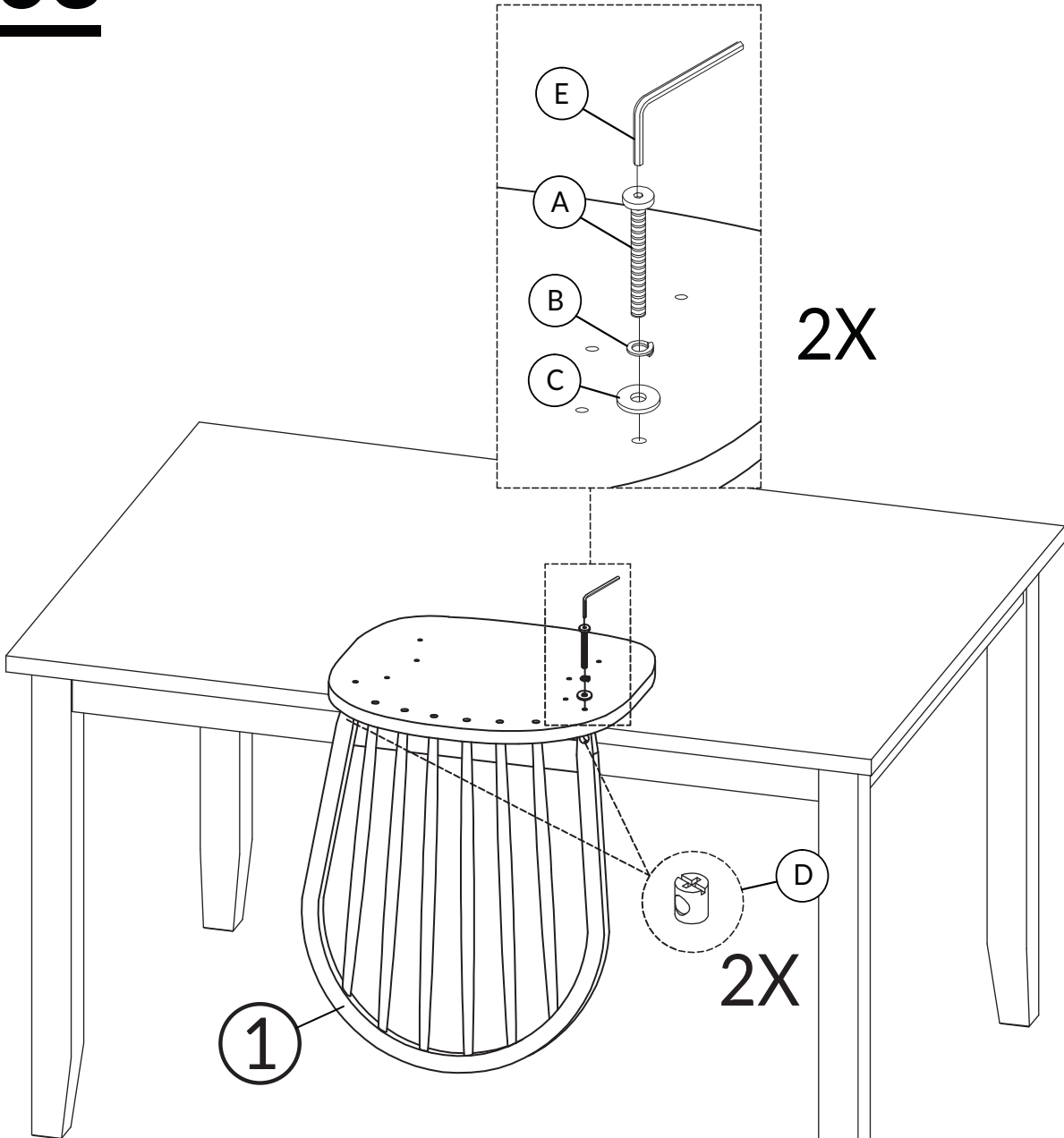
Hardware	Count
H	6

# 02



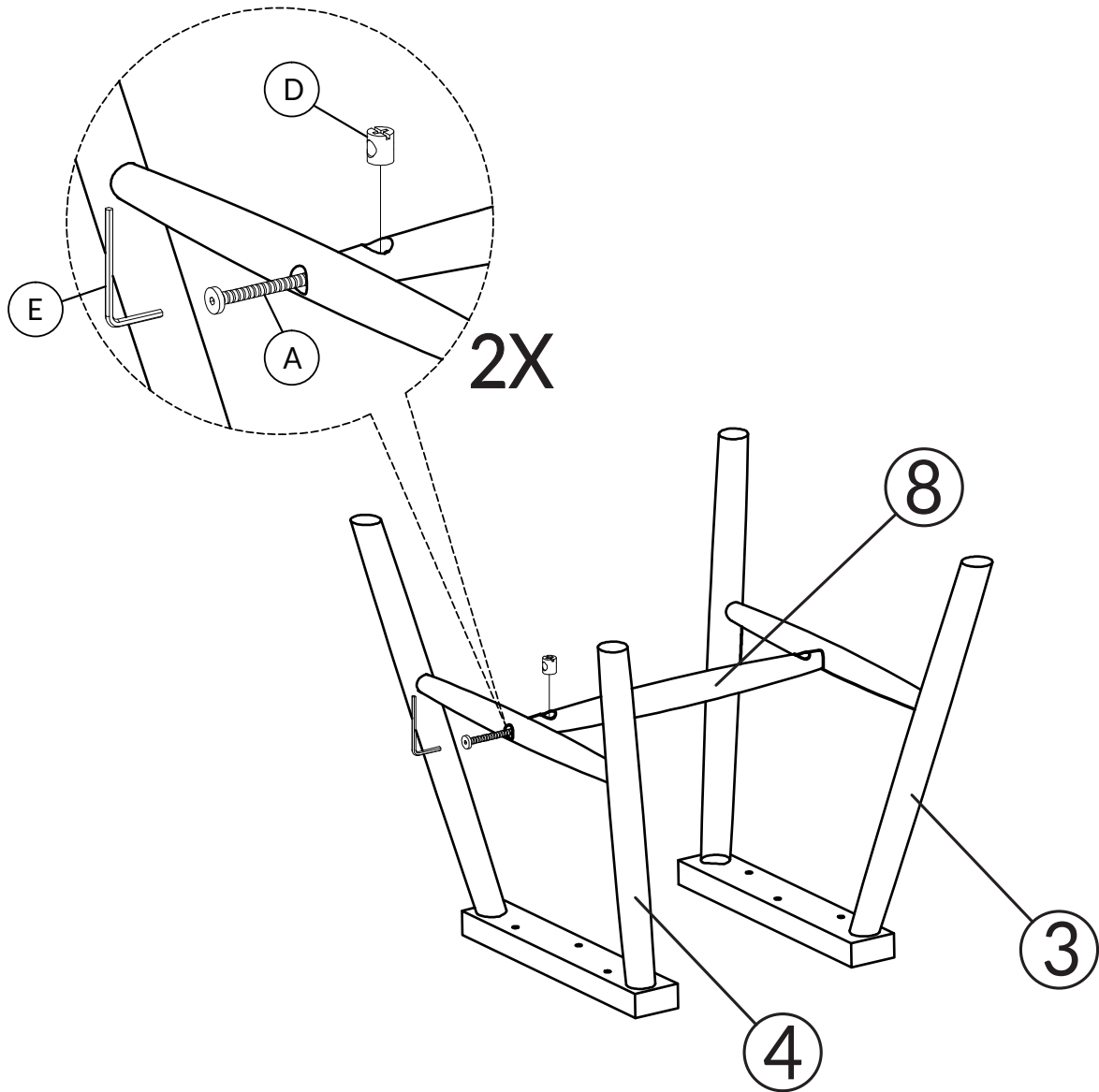
Hardware	Count
J	1

# 03



Hardware	Count
A	2
B	2
C	2
D	2
E	1

# 04

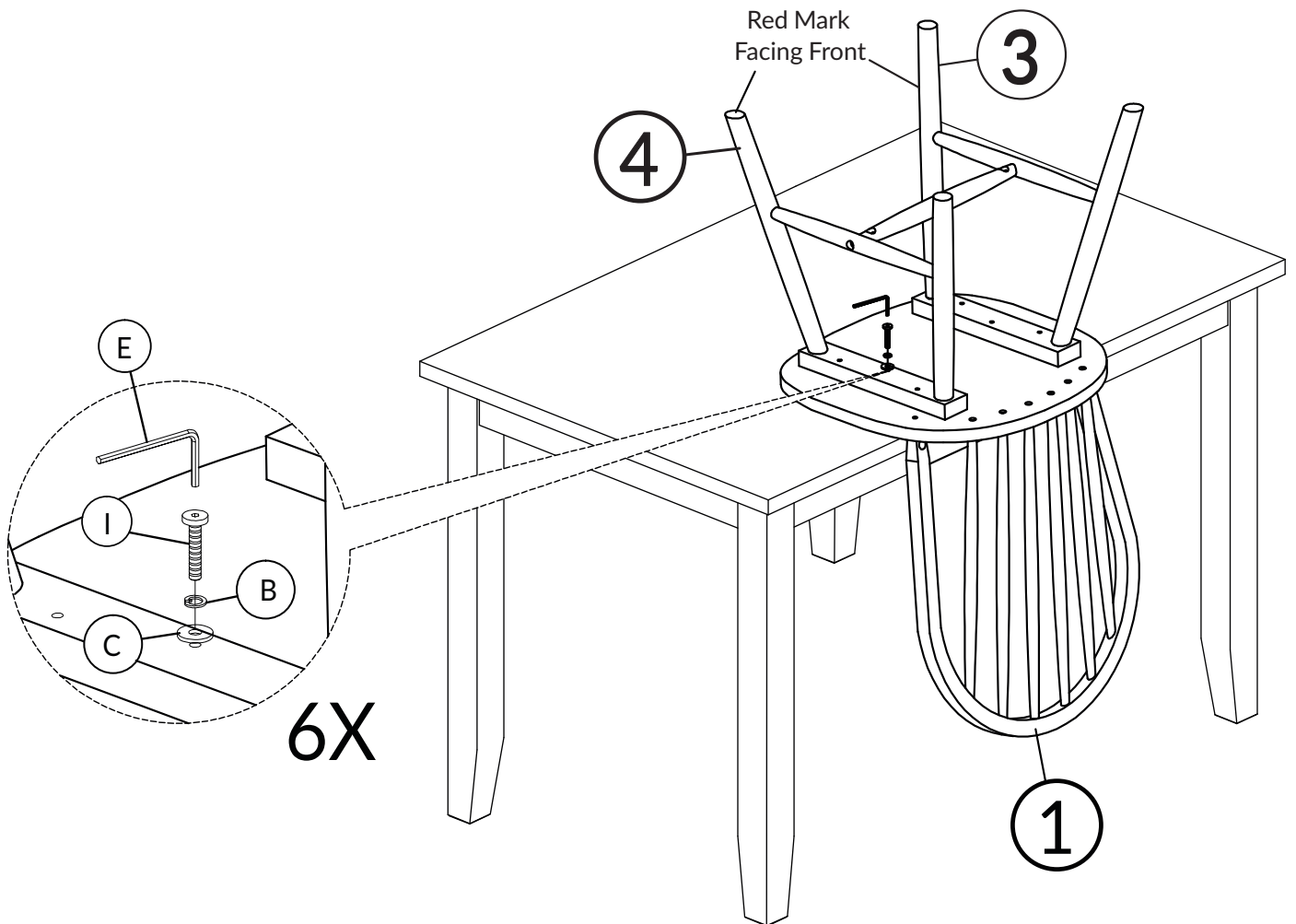


Hardware	Count
A	2
D	2
E	1

DO NOT TIGHTEN BOLT COMPLETELY.



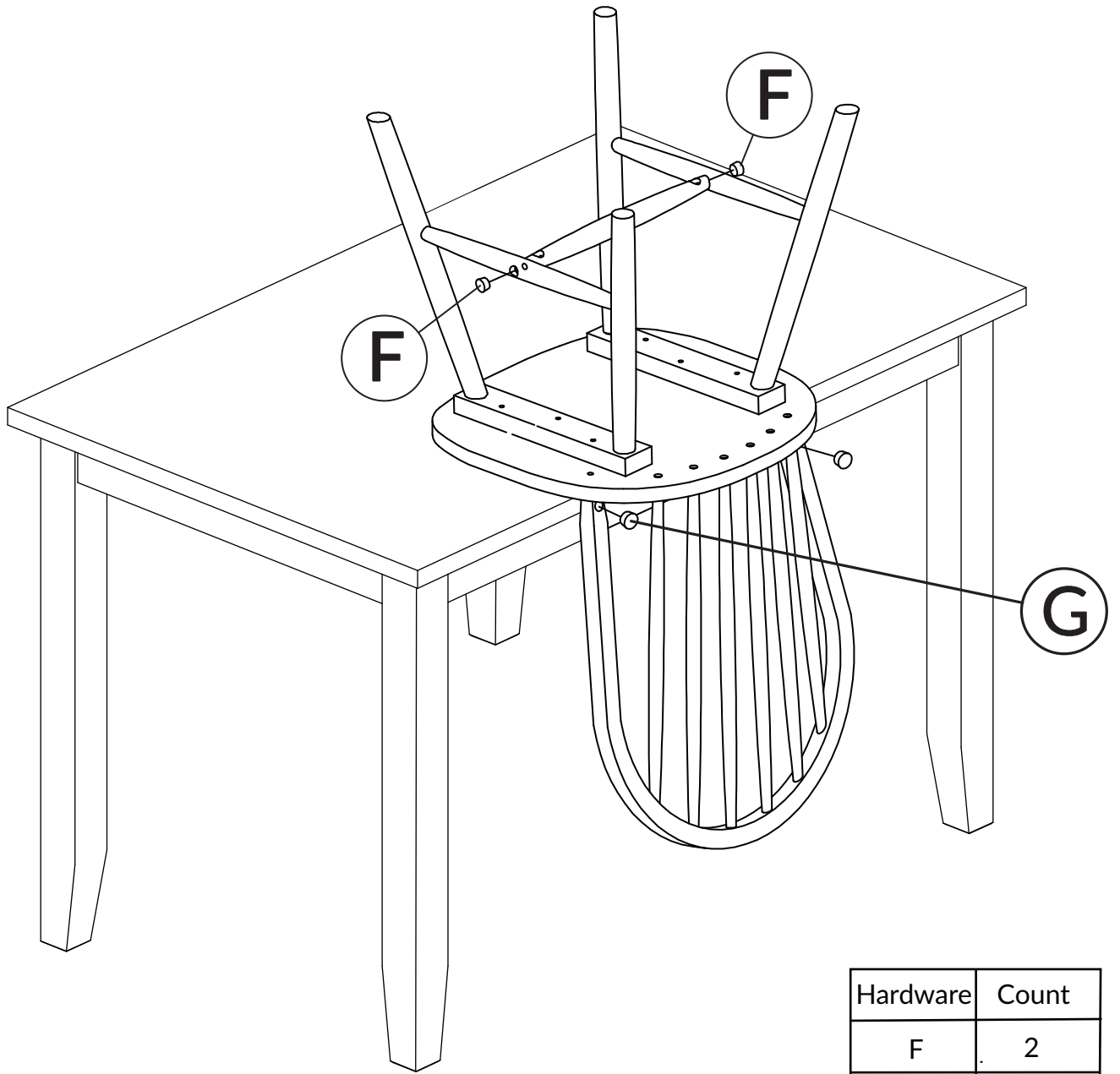
# 05



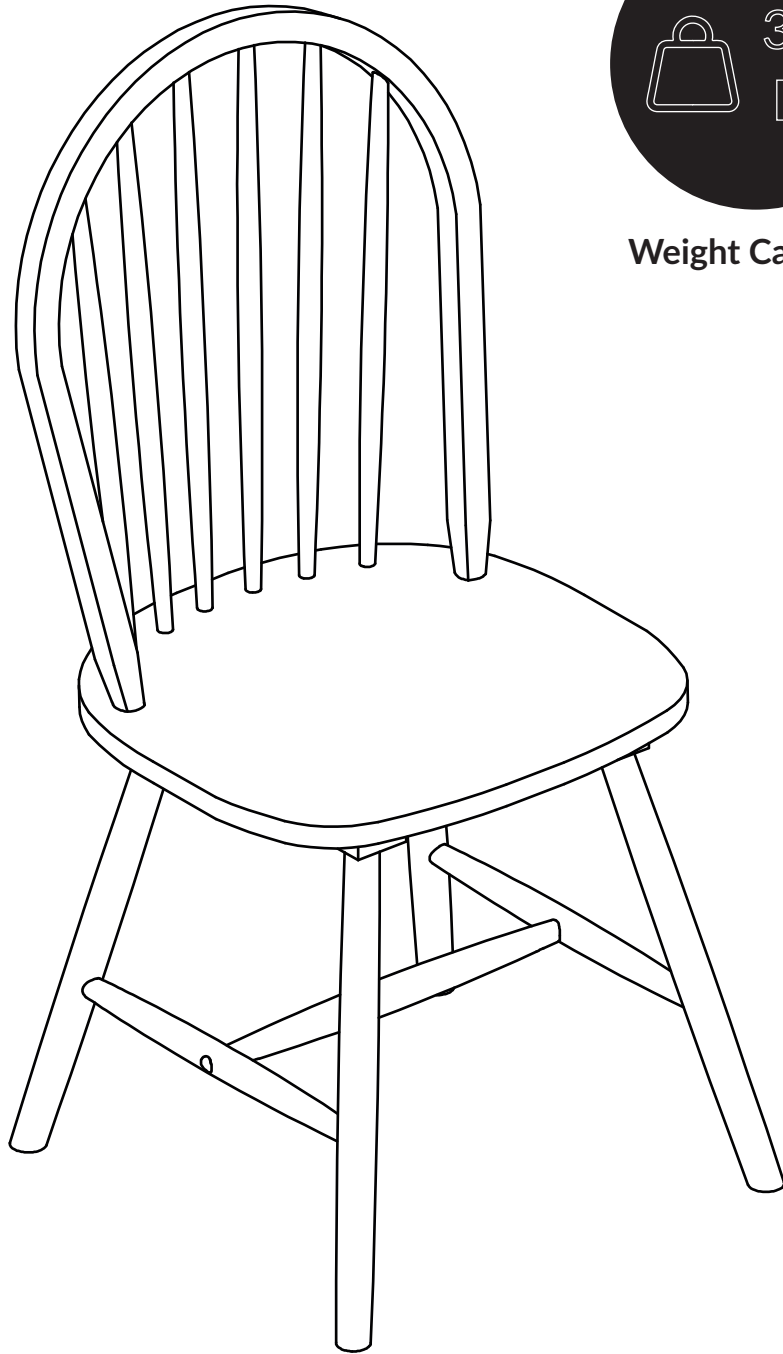
Hardware	Count
I	6
B	6
C	6
E	1

TIGHTEN BOLT COMPLETELY.

# 06



Hardware	Count
F	2
G	2



**Weight Capacity**

**BE SURE TO CHECK ALL BOLTS ARE SECURELY TIGHTENED PRIOR TO USE.**

847-949-6300 | 877-267-2261 | [customerservice@boraamindustries.com](mailto:customerservice@boraamindustries.com)