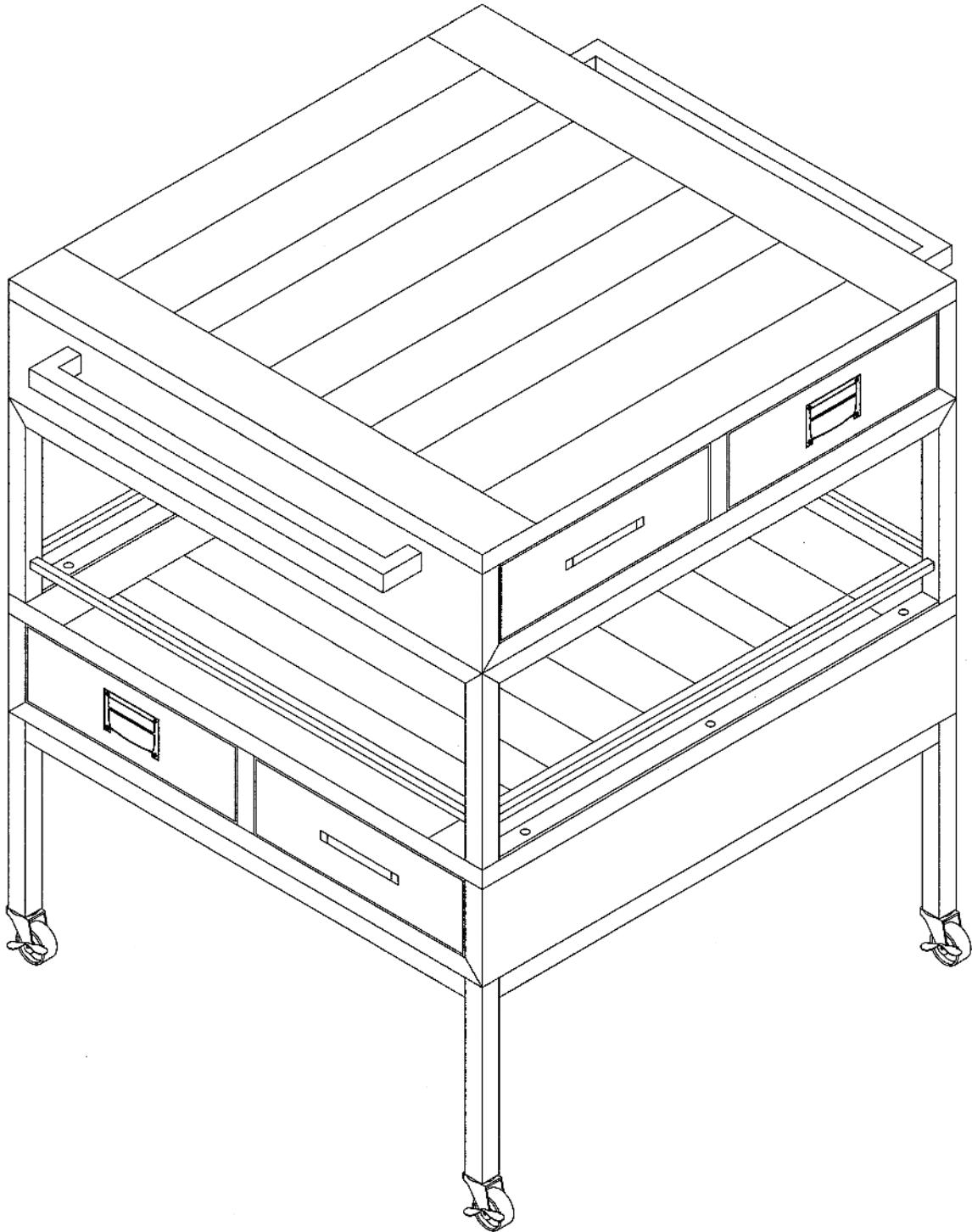




SWANSON TROLLEY CART
ASSEMBLY INSTRUCTIONS
18119





PLEASE READ ME FIRST



- Have questions about assembling your item?



- Item or parts damaged?



- Missing a part?



- We're here to help!



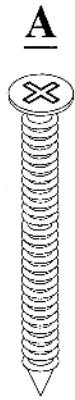
(847)949-6300 (M-F, 9am-5pm CST)



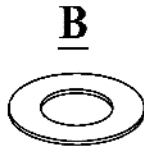
www.burnhamhomedesign.com



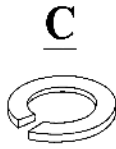
customerservice@burnhamhomedesign.com



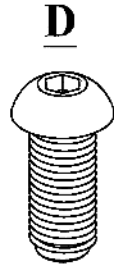
A
3.5*45
16 PCS



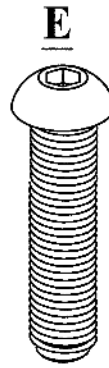
B
4 PCS



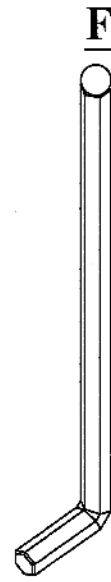
C
4 PCS



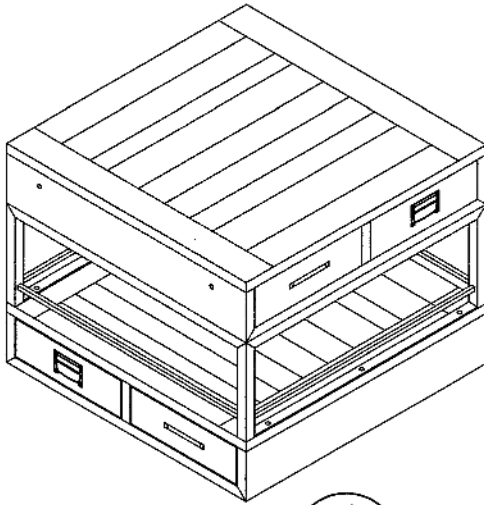
D
M8*16
8 PCS



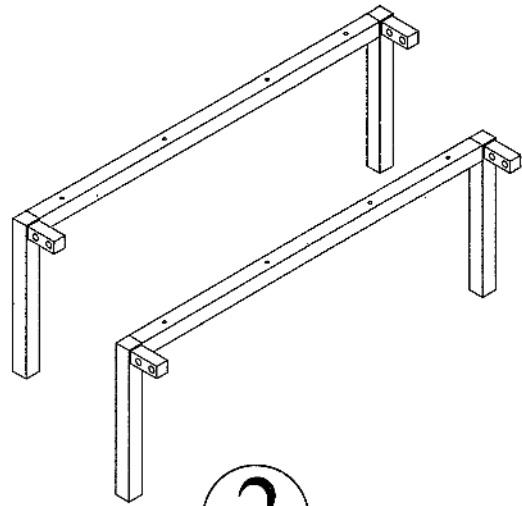
E
M8*35
16 PCS



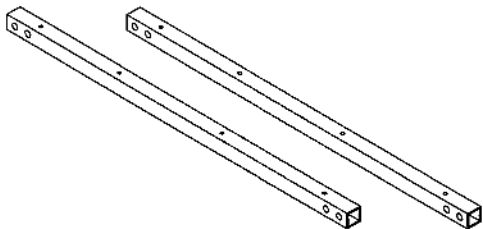
F
1PC



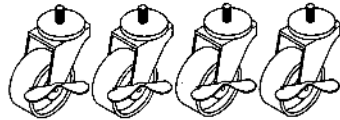
1



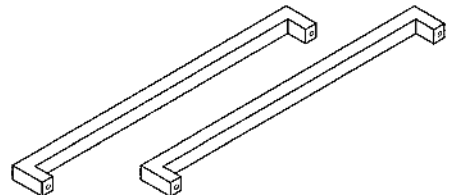
2



3

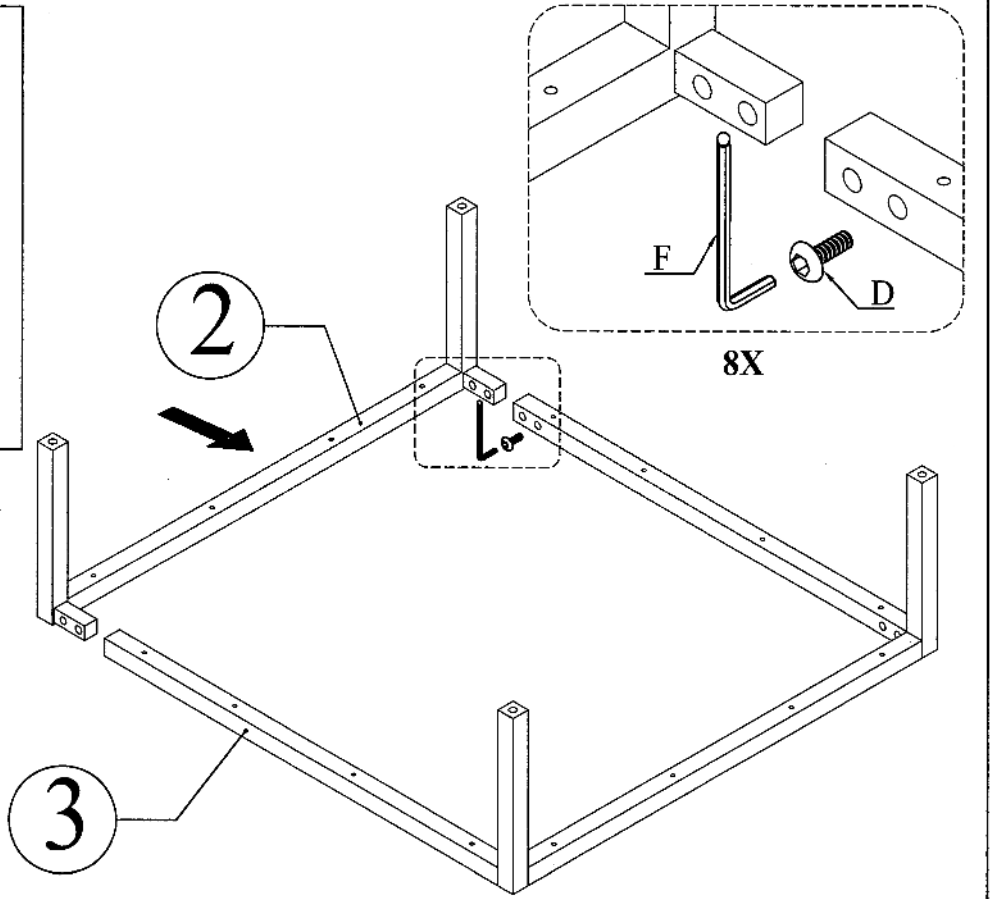
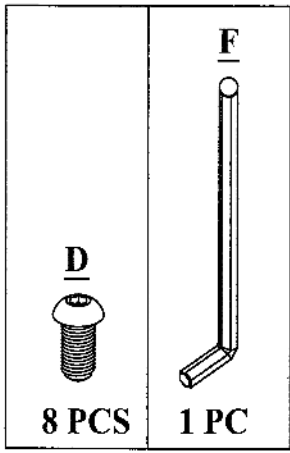


4



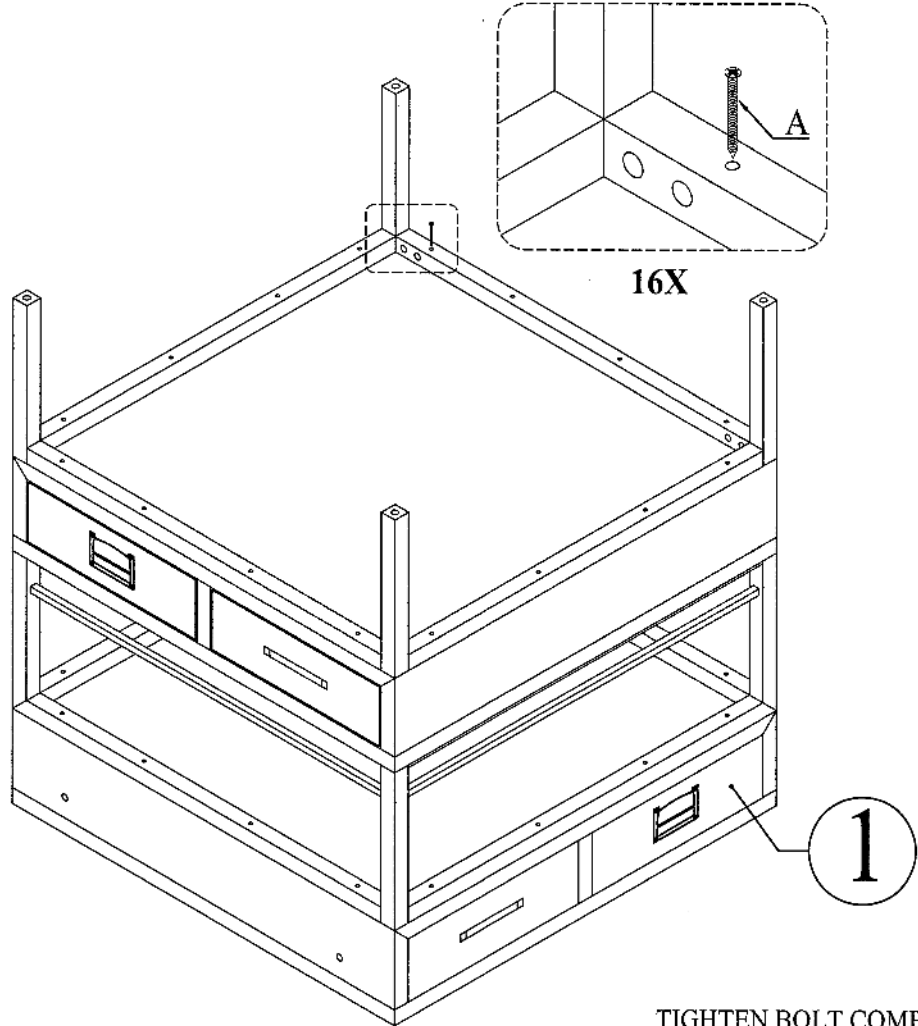
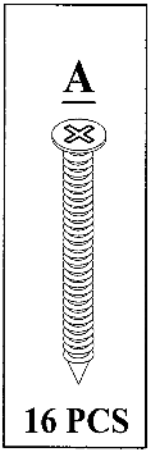
5

01



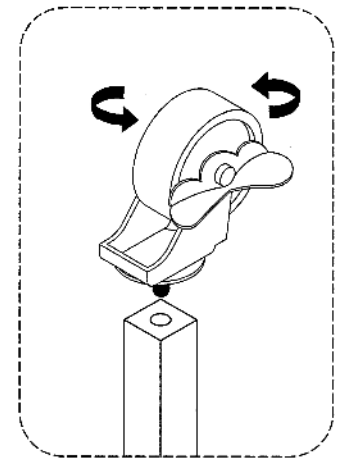
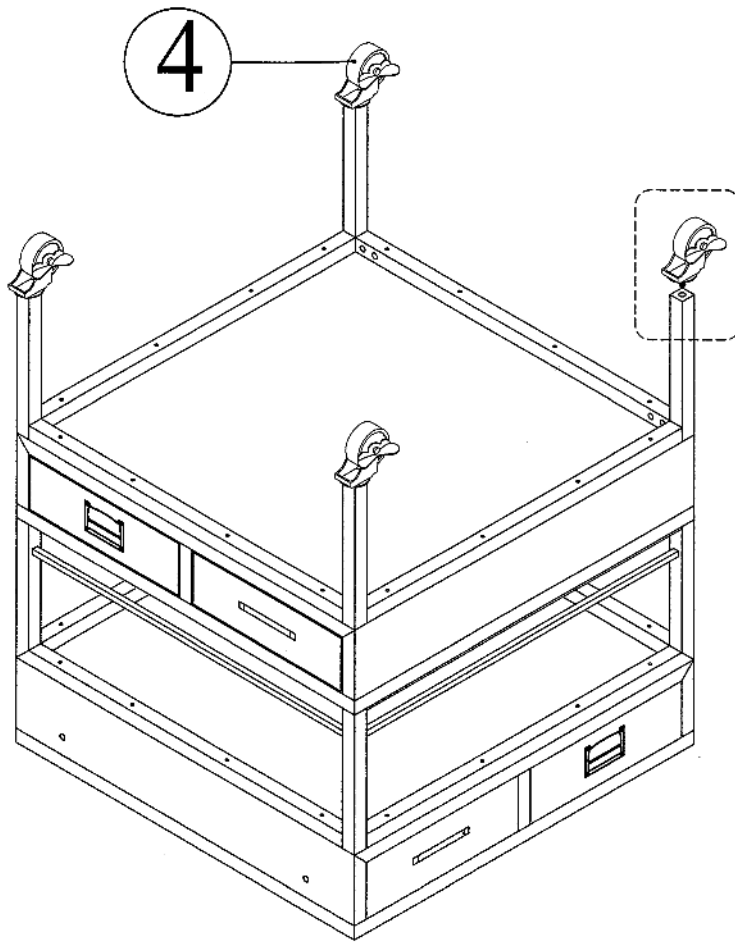
TIGHTEN BOLT COMPLETELY.

02



TIGHTEN BOLT COMPLETELY.

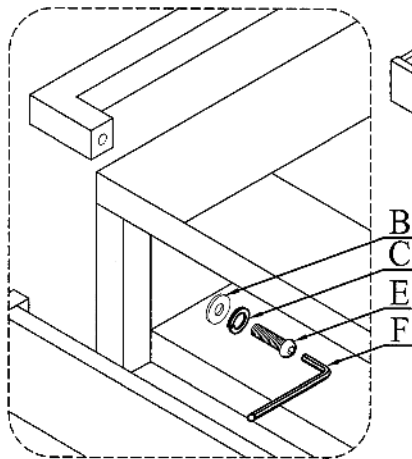
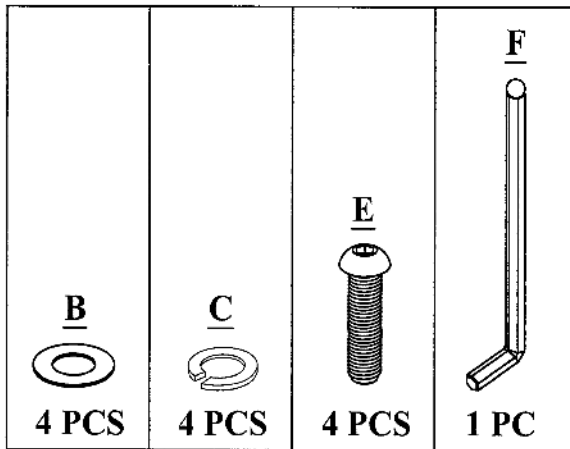
03



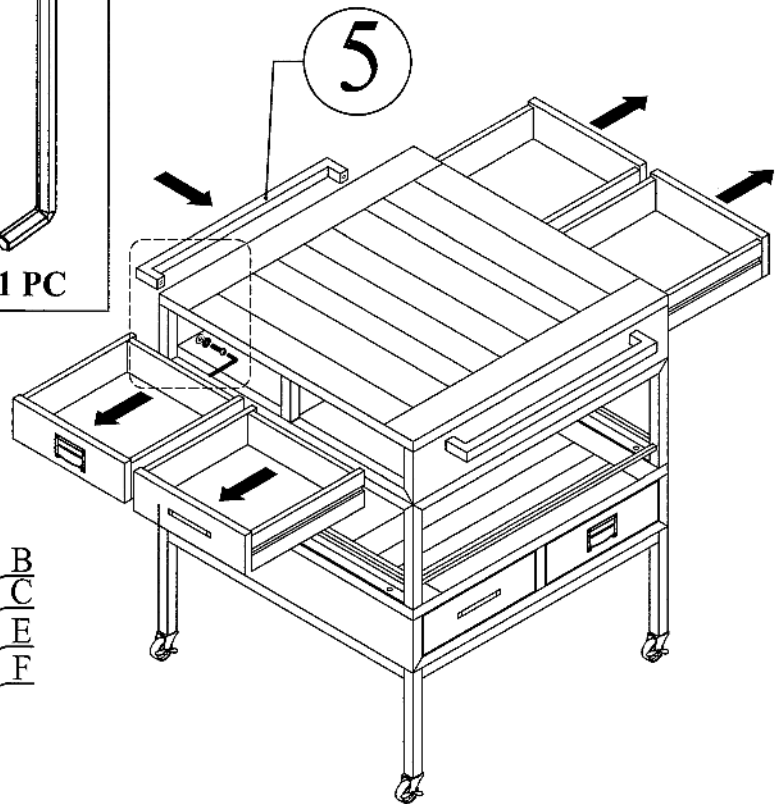
4X

TIGHTEN BOLT COMPLETELY.

04

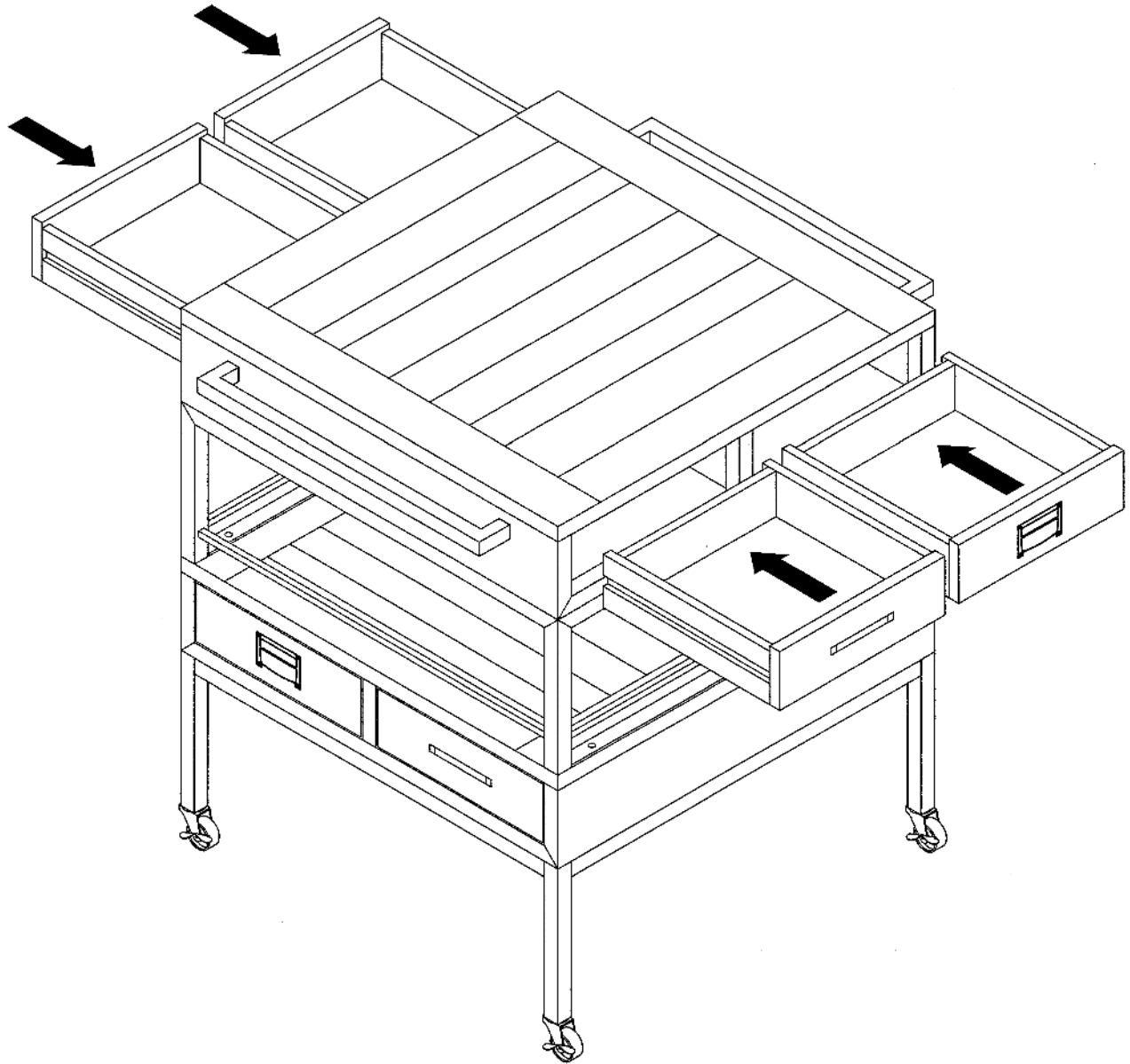


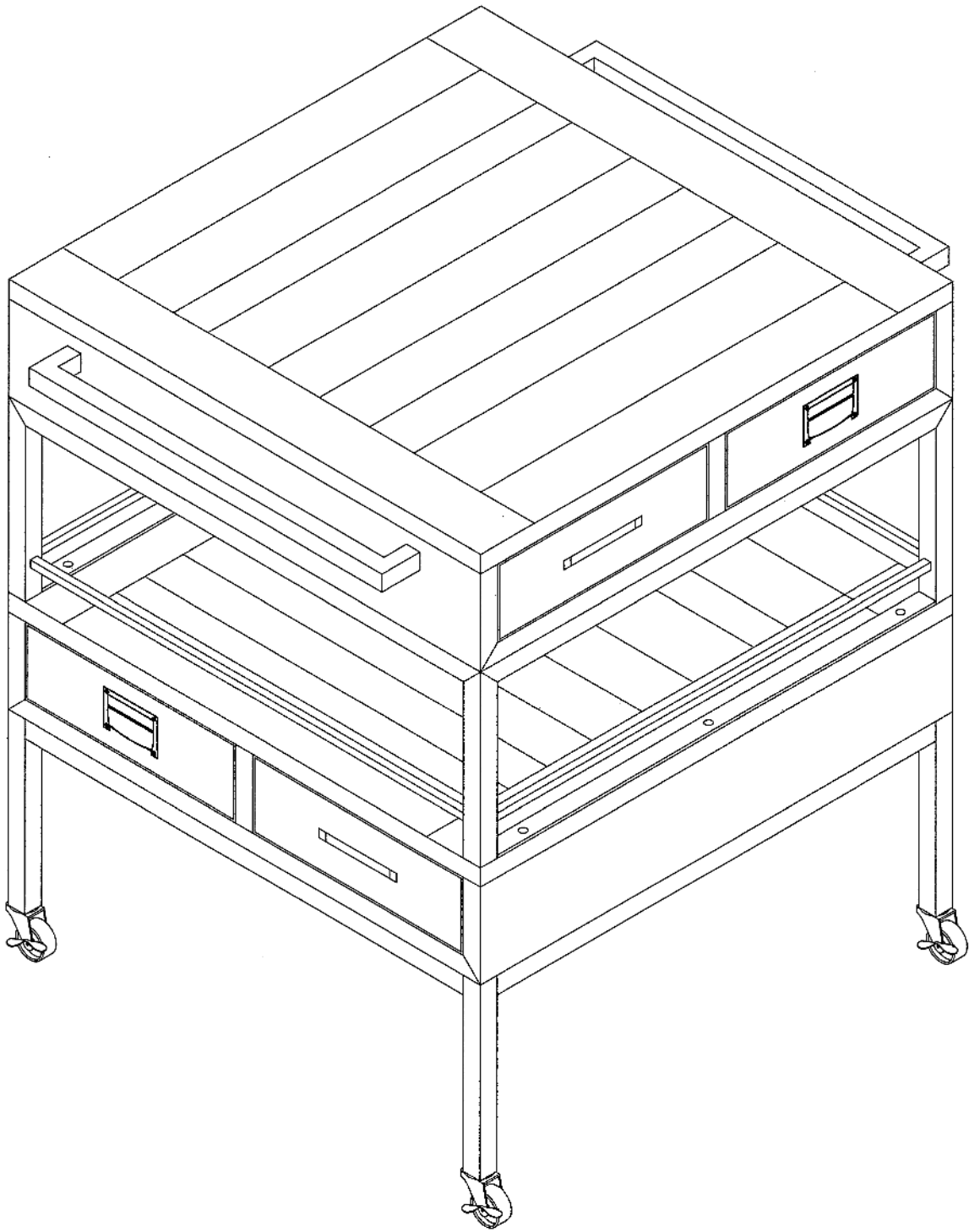
4X



TIGHTEN BOLT COMPLETELY.

05





BE SURE TO CHECK ALL BOLTS ARE SECURELY
TIGHTENED PRIOR USING THIS CART