

Bishop Console Table

WARNING

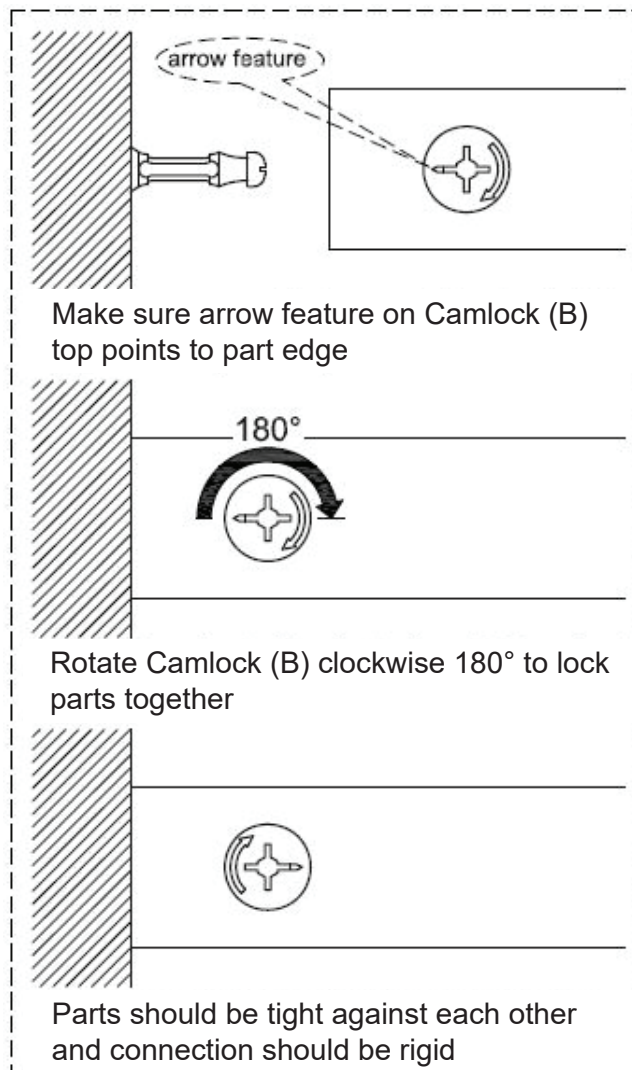
- Read all instructions carefully and completely before assembly and use.
- Retain for future reference.
- Keep plastic bags and small parts away from children.
- DO NOT use power tools.
- DO NOT overtighten hardware.
- Periodically check hardware and re-tighten as necessary.
- DO NOT use product if any component becomes damaged.
- For residential (non-commercial) use only.
- Max Weight Limit = 130 lb.
- DO NOT sit or stand on product. Use only for intended purpose.

Pre-Assembly

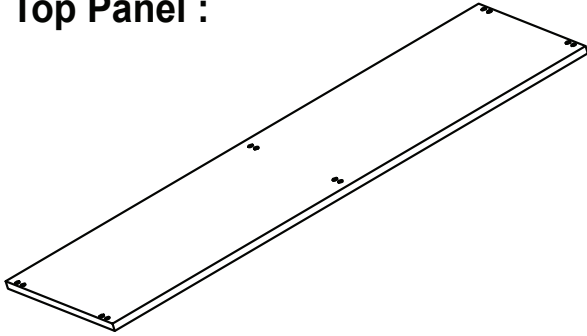
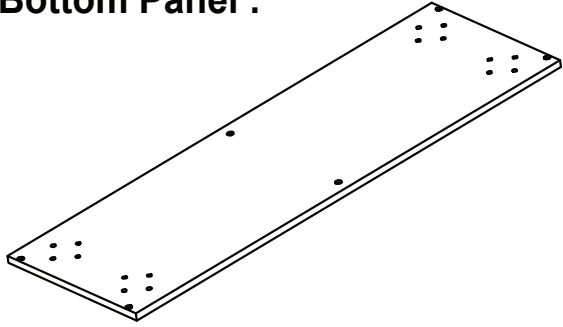
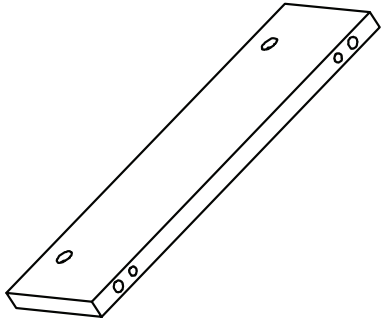
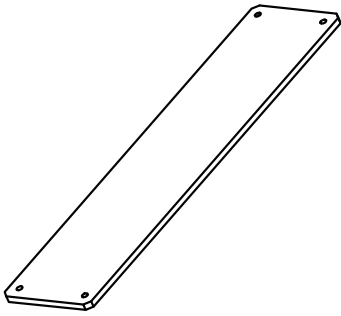
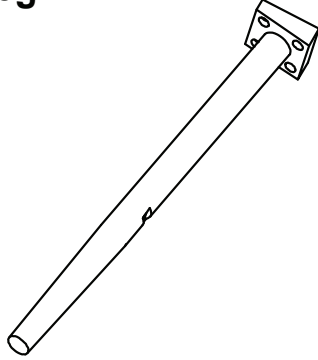
Number of people required for assembly: 1

To avoid damage to product during assembly, please take the following precautions:

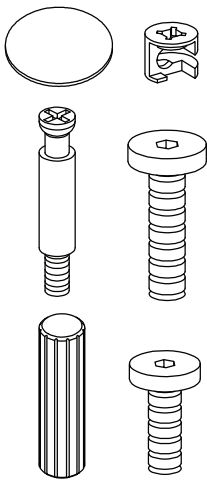
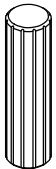


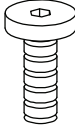
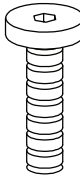

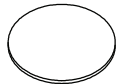
1. Assemble on soft surface such as carpet or cloth to prevent damage during assembly.
2. Tighten all bolts completely once all parts and hardware have been correctly assembled.
3. Review below Cam Lock assembly diagram.



PARTS

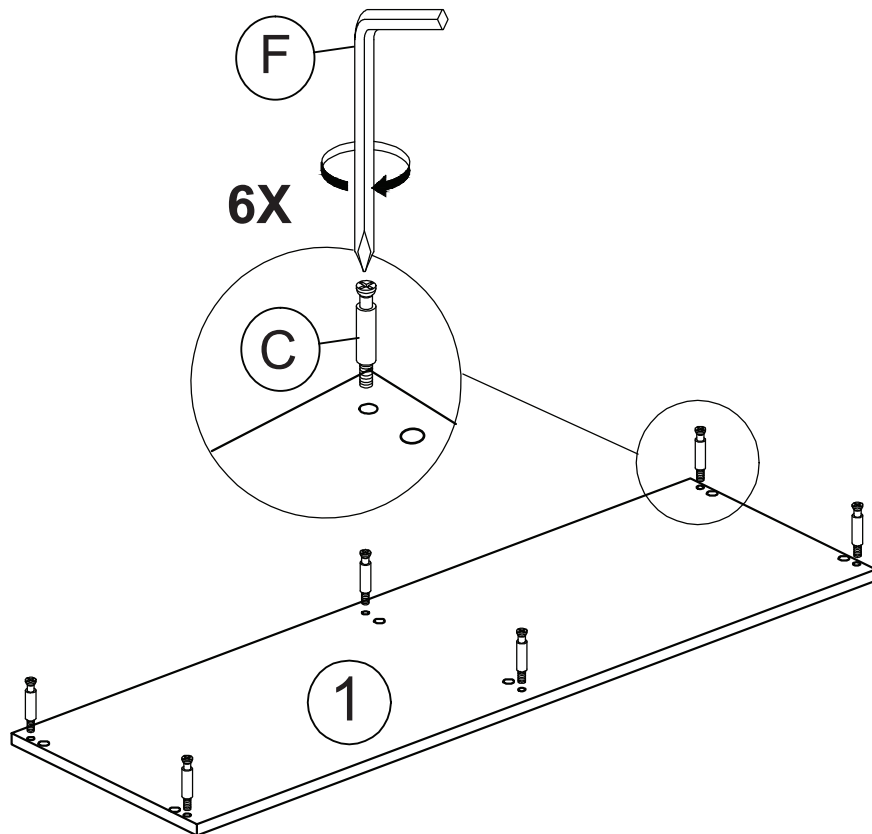
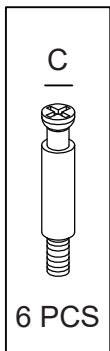
① (x1)	② (x1)	
Top Panel : 	Bottom Panel : 	
③ (x3)	④ (x1)	⑤ (x4)
Side Panel : 	Bottom Shelf : 	Leg : 

HARDWARE

(x1 each)	① (x12)	② (x10)	③ (x10)	④ (x16)	⑤ (x6)	⑥ (x1)	⑦ (x6)
							
Spare	Wooden Dowel	Cam Lock	Cam Bolt	Bolt M6*20	Bolt M6*30	Allen Wrench	Cam Lock Cover

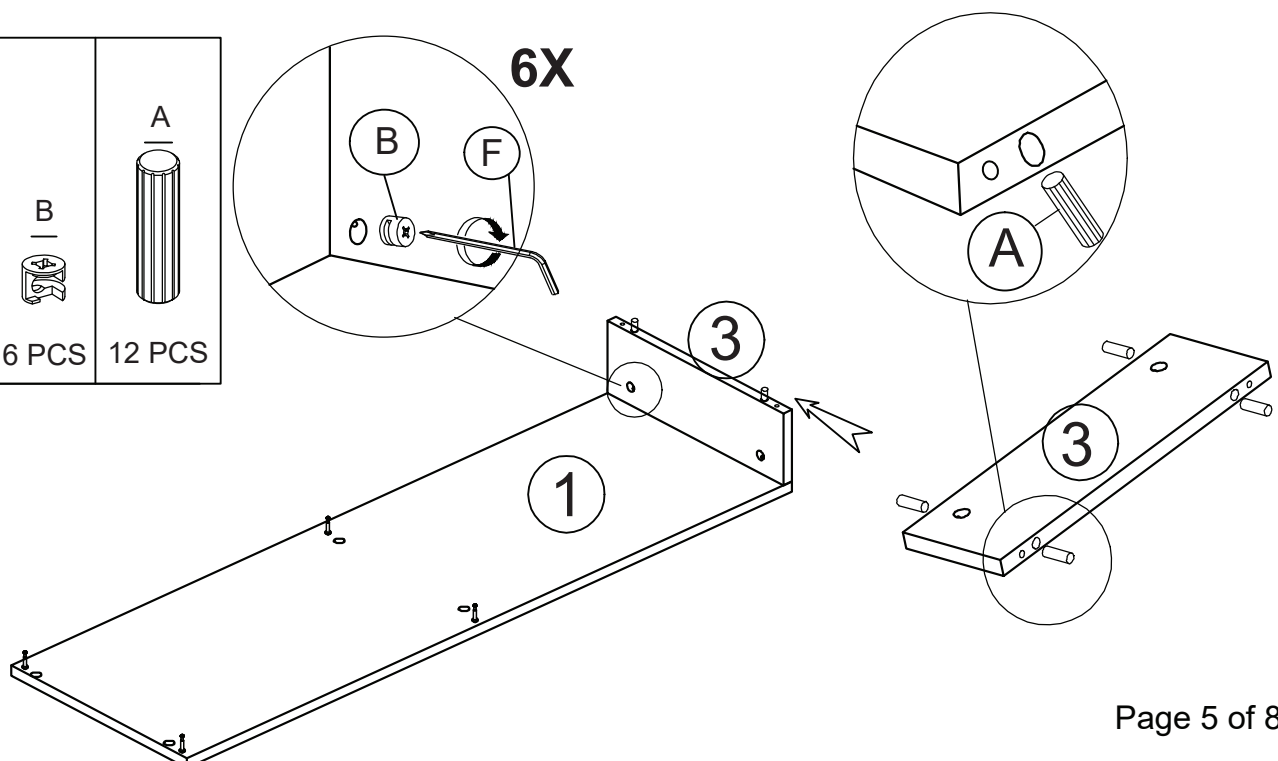
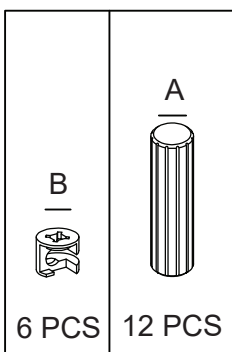
01

- Insert Cam Bolt (C) into Top Panel (part #1) using Allen Wrench (F) as shown.
*** Do not overtighten Cam Bolt. ***



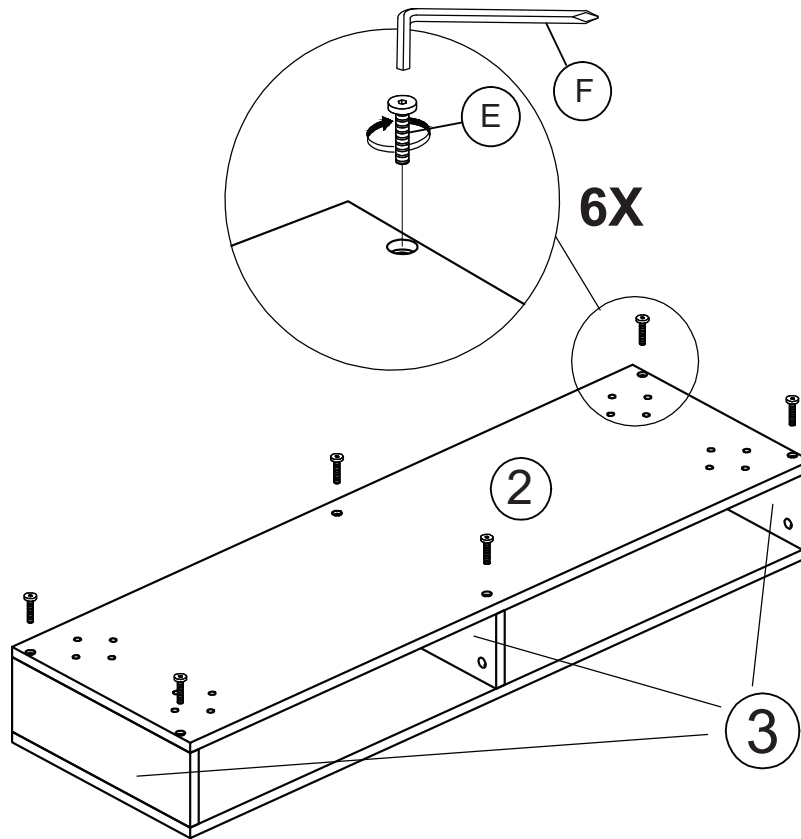
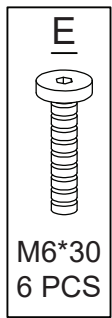
02

- Insert Cam Lock (B) into the Side Panel (part #3).
- Cam Lock must be inserted flush against the Side Panel before tightening. Use the screwdriver side of the Allen Wrench to complete assembly.
*** When tightening the Cam Lock make sure to tighten enough to properly "lock" into the Cam Bolt. Reference page 3 for Cam Lock assembly diagram. ***
- Repeat same steps above to install part #3 at middle and opposite end positions.



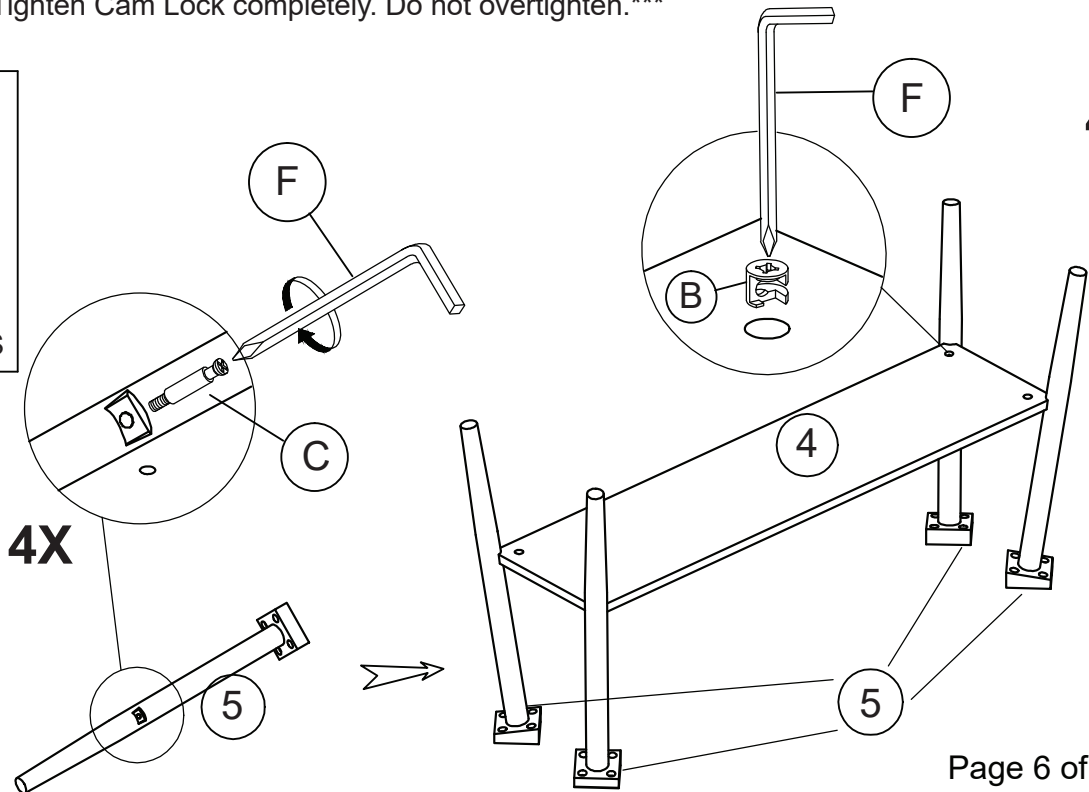
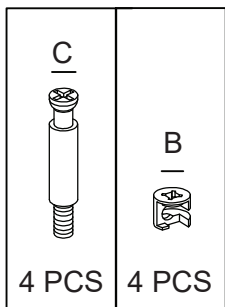
03

- Connect Bottom Panel (part #2) to Side Panel (part #3) by Bolt (E) and Allen Wrench (F).
*** Tighten bolts completely.***



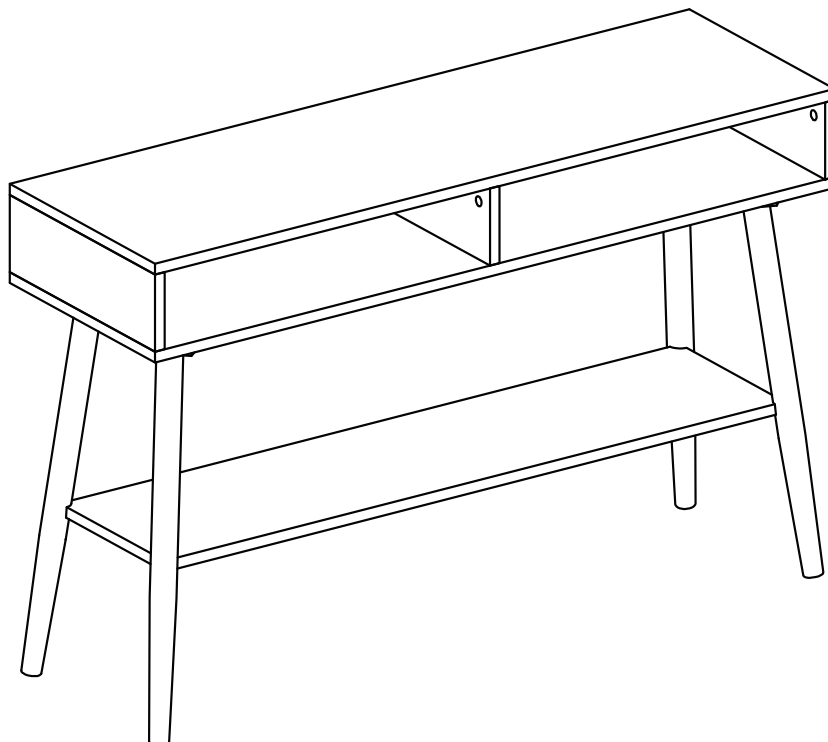
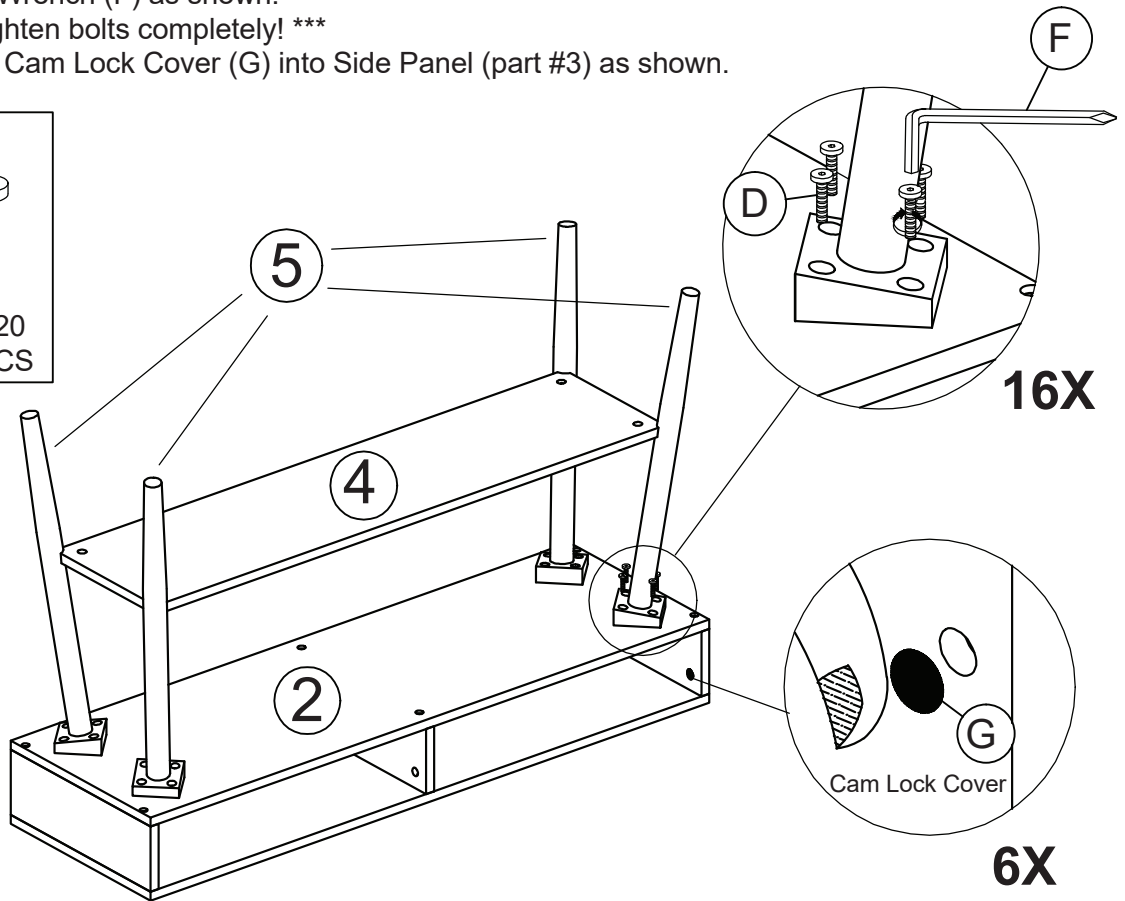
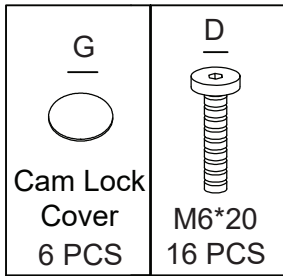
04

- Insert Cam Bolt (C) into Legs (part #5) as shown.
*** Tighten Cam Bolts completely. ***
- Insert Cam Lock (B) into Bottom Shelf (part #4) using Allen Wrench (F).
- Connect Legs (part #5) to Bottom Shelf (part #4) by gently tightening Cam Lock (B).
Tighten Cam Lock completely. Do not overtighten.



05

- Connect Legs (part #5) to Bottom Panel (part #2) by using Bolt (D) and Allen Wrench (F) as shown.
*** Tighten bolts completely! ***
- Insert Cam Lock Cover (G) into Side Panel (part #3) as shown.



BE SURE TO CHECK ALL BOLTS ARE SECURELY TIGHTENED PRIOR TO USE.

Care and Maintenance

- Periodically inspect and tighten all bolts and screws.
- Dust rubberwood furniture several times a week with an absorbent, lint-free cloth to prevent the build-up of dirt and grime.
- Wipe up all spills promptly with a clean, dry cloth.
- Item can be cleaned using a slightly damp cloth. Use of strong cleaners and chemicals may damage the finish.
- Any furniture cleaner should be tested on an inconspicuous area before use.