

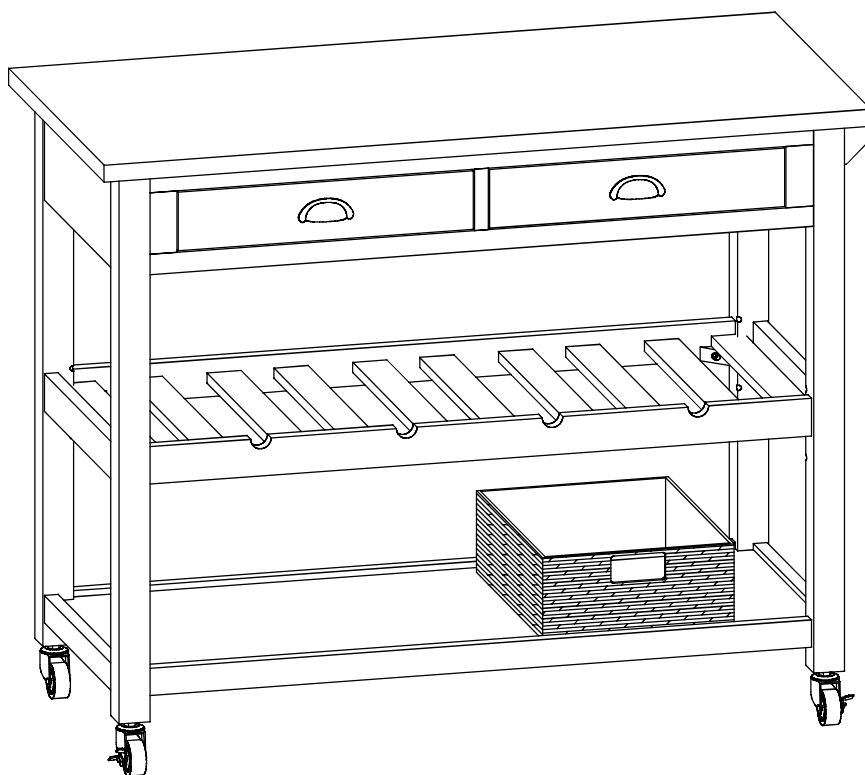


Boraam Industries

ASSEMBLY INSTRUCTIONS

SKU: 77522

CAROLINA 44" KITCHEN ISLAND



Have questions about assembling your item?



Items or parts damaged?



Missing a part?

We're here to help! (Monday-Friday from 9am-5pm CST)



847-949-6300
877-267-2261



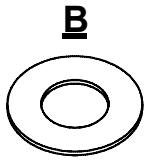
customerservice@
boraamindustries.com



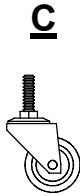
www.boraamindustries.com



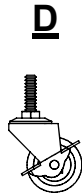
Wood Nut
8 PCS



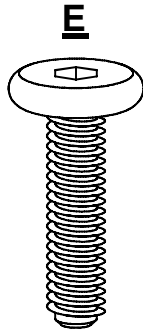
Flat Washer
16 PCS



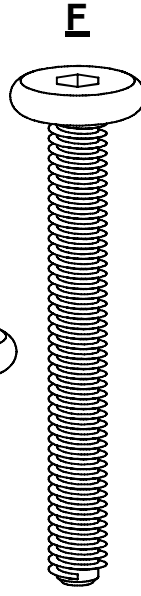
Caster
2 PCS



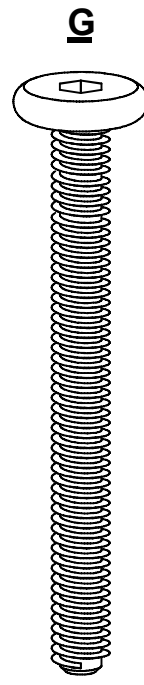
Caster with lock
2 PCS



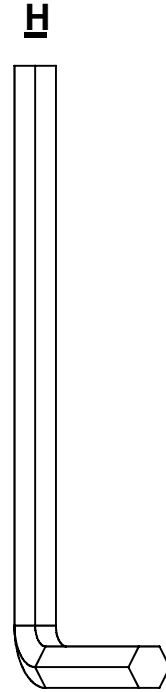
M6*35
4 PCS



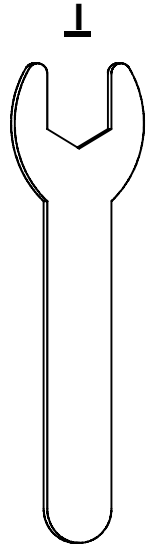
M6*50
8 PCS



M6*70
8 PCS

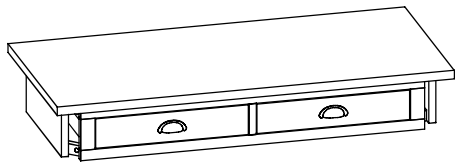


1 PC

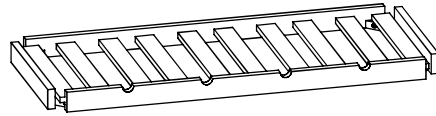


Wrench
1 PC

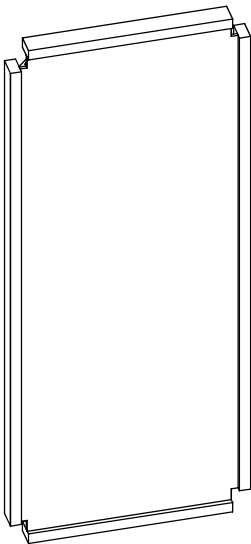
1



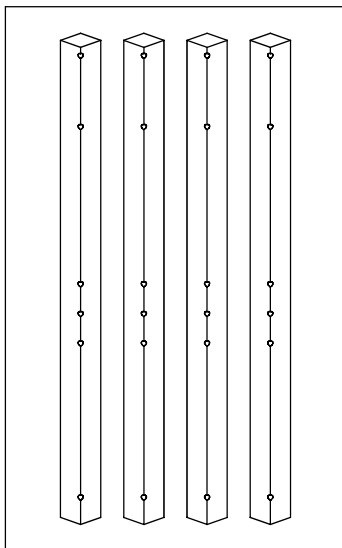
2



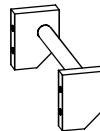
3



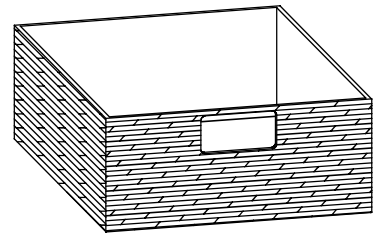
4



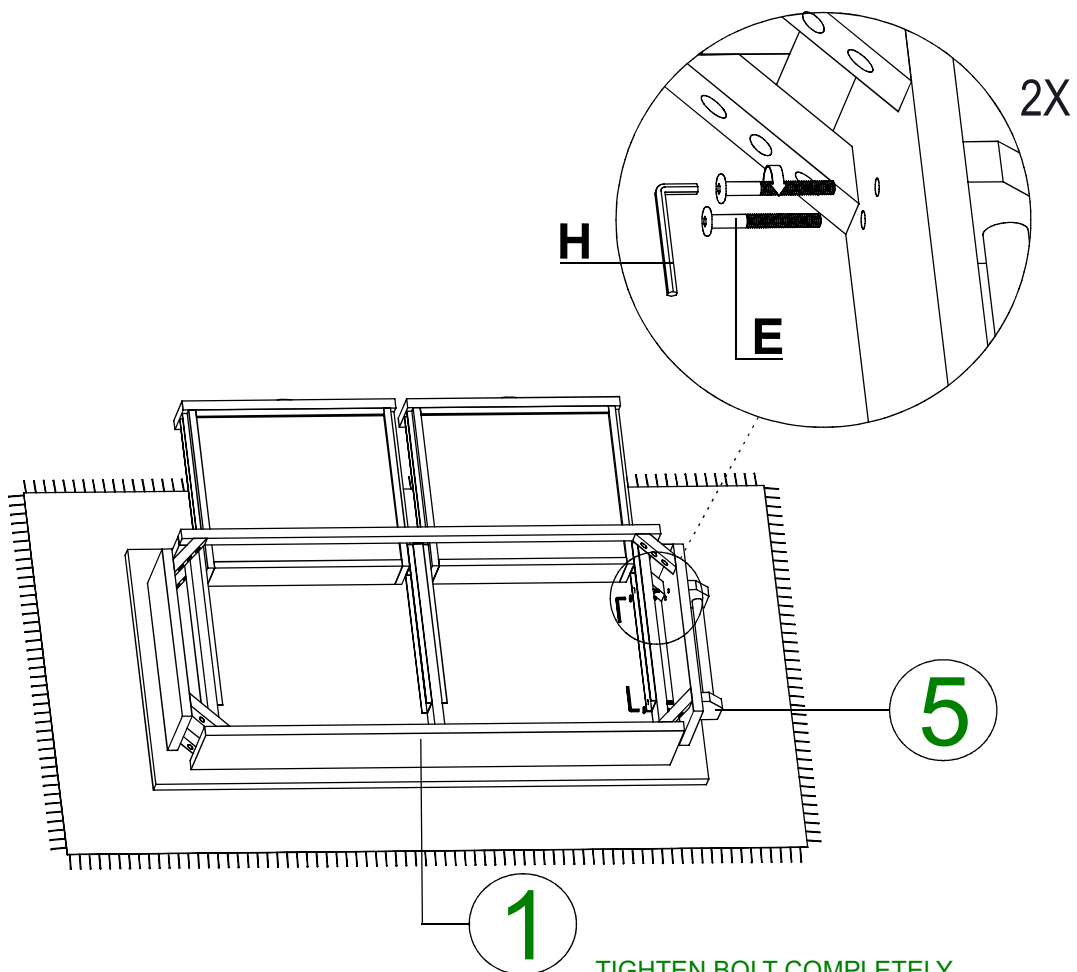
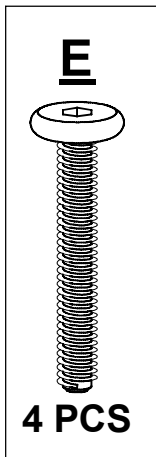
5



6

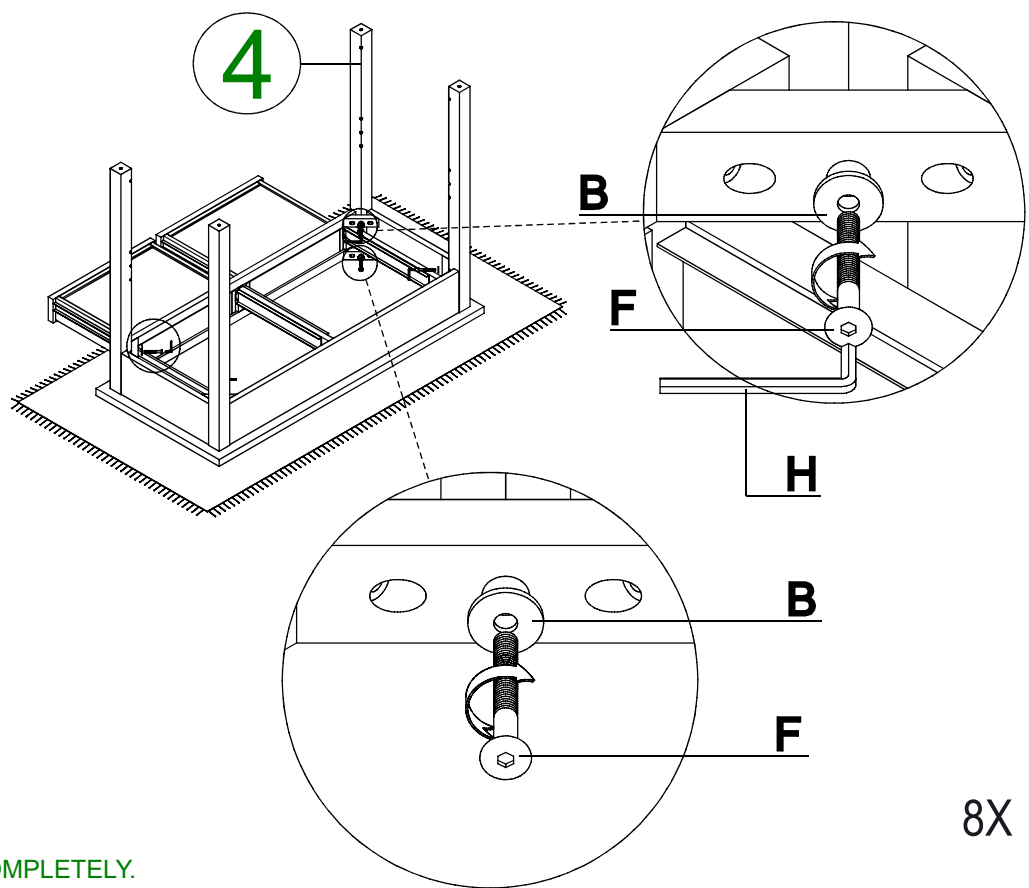
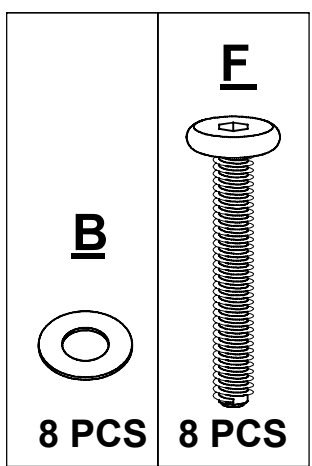


01



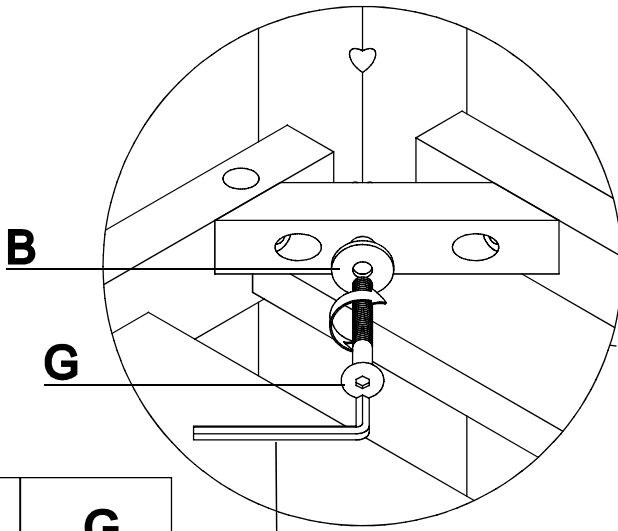
TIGHTEN BOLT COMPLETELY.

02



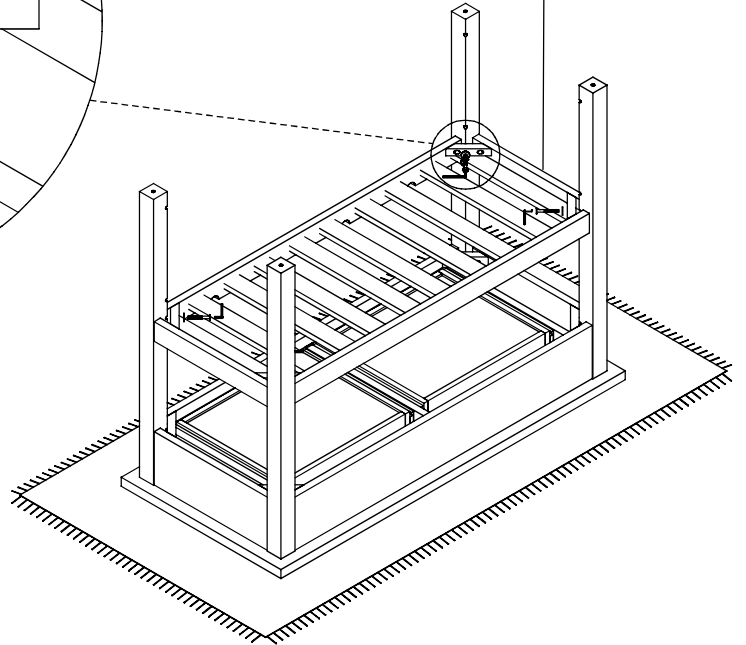
DO NOT TIGHTEN BOLT COMPLETELY.

03

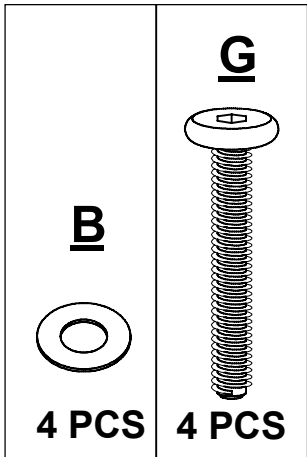


4X

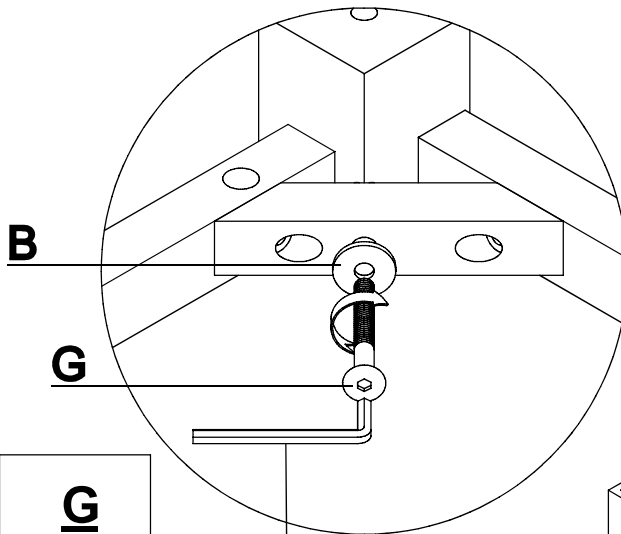
2



TIGHTEN BOLT COMPLETELY.

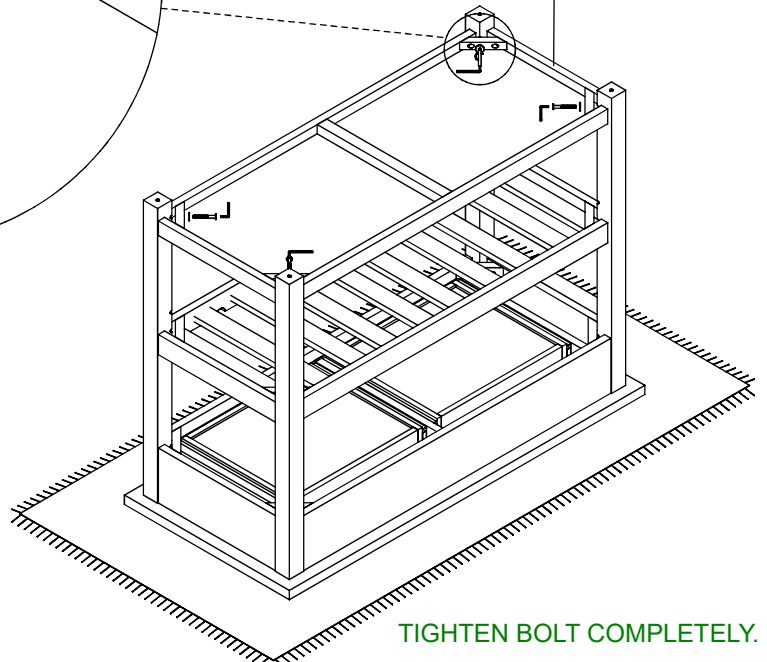


04

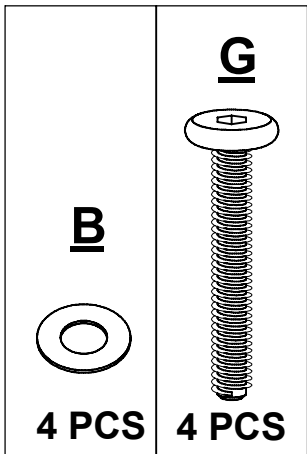


4X

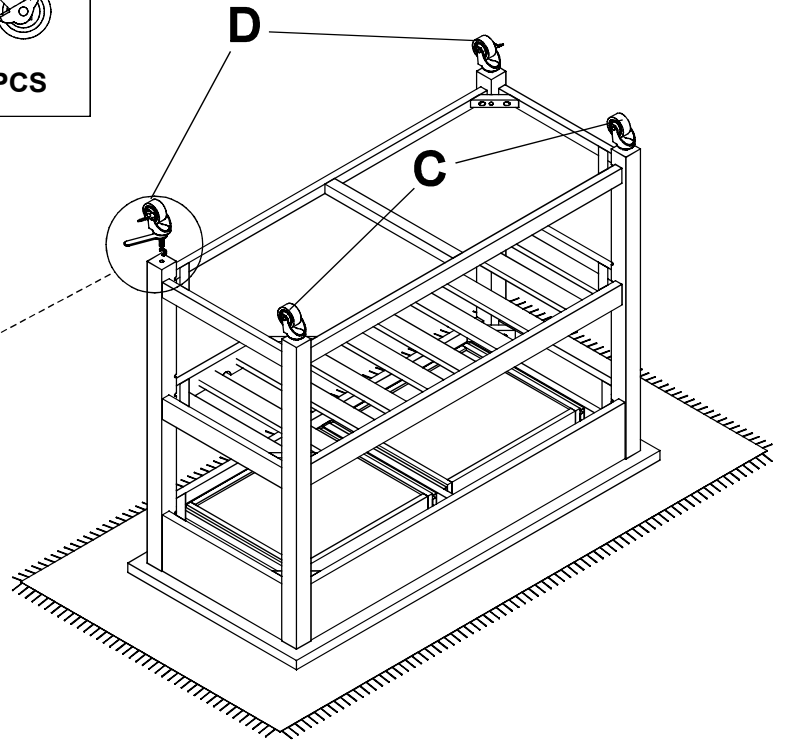
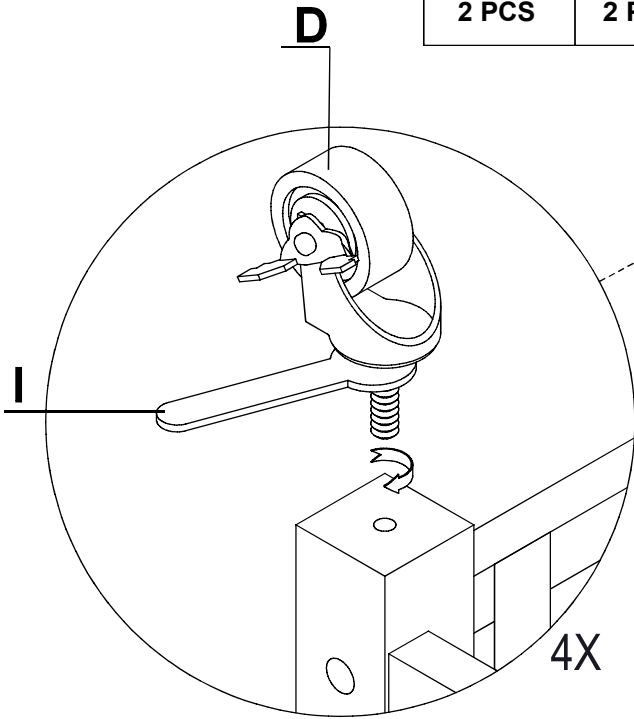
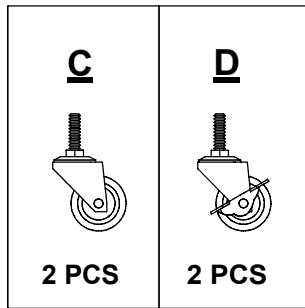
3



TIGHTEN BOLT COMPLETELY.

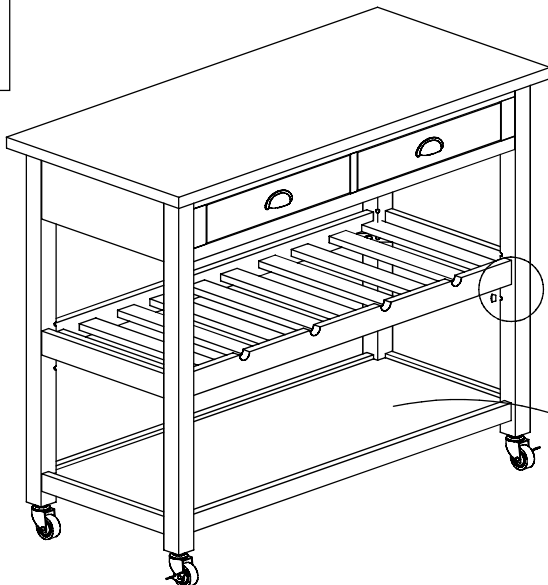
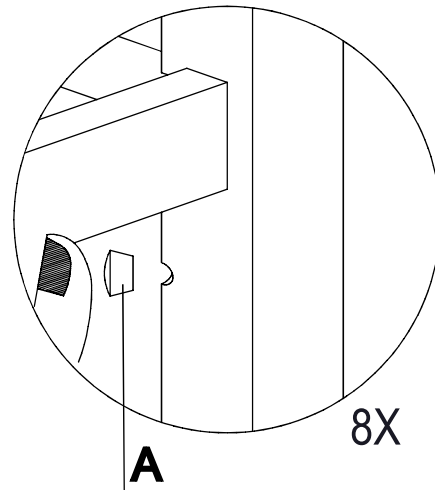
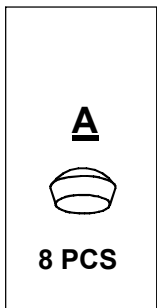


05

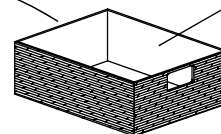


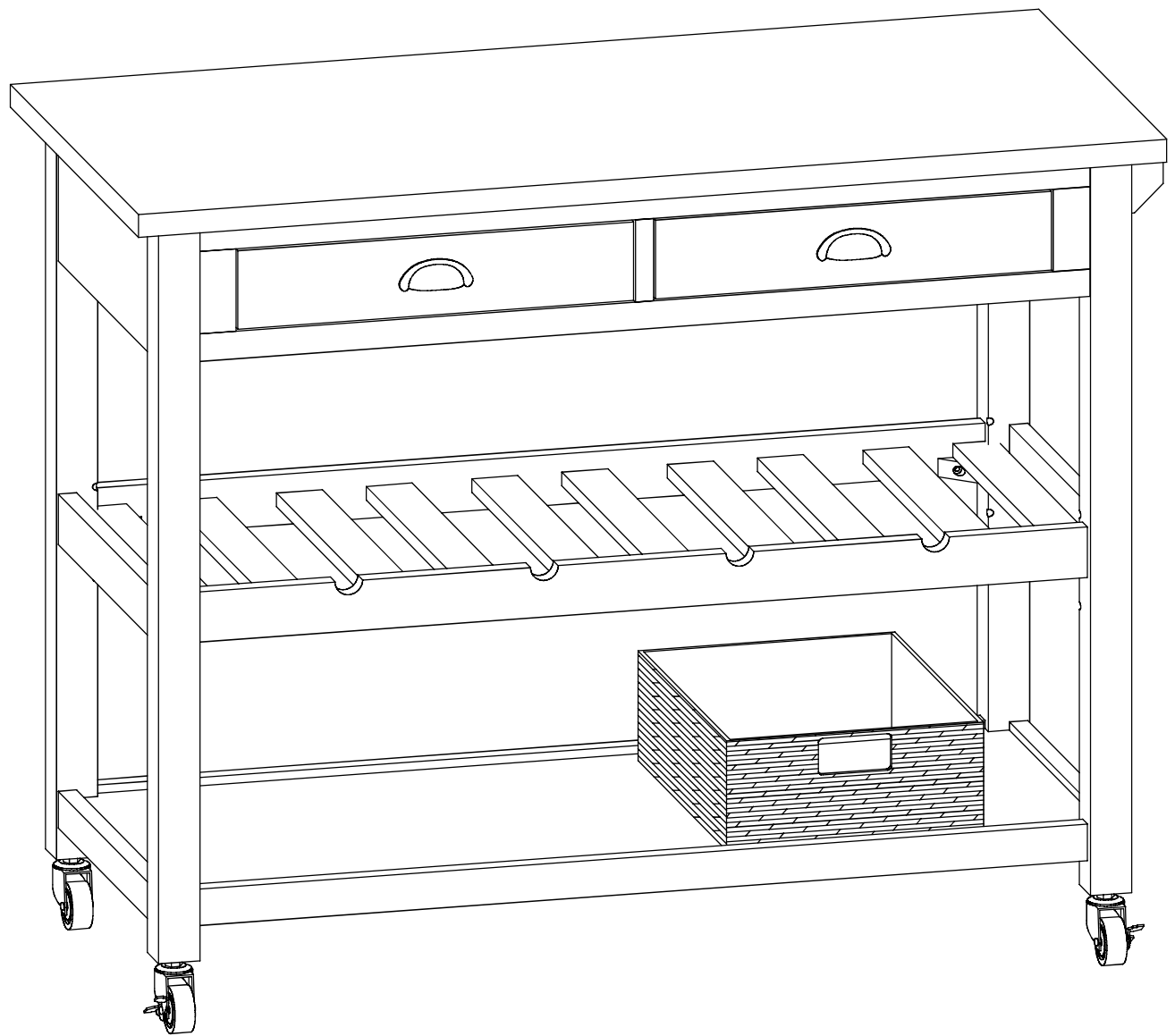
TIGHTEN BOLT COMPLETELY.

06



6





BE SURE TO CHECK ALL BOLTS ARE SECURELY
TIGHTENED PRIOR USING THIS CART.