

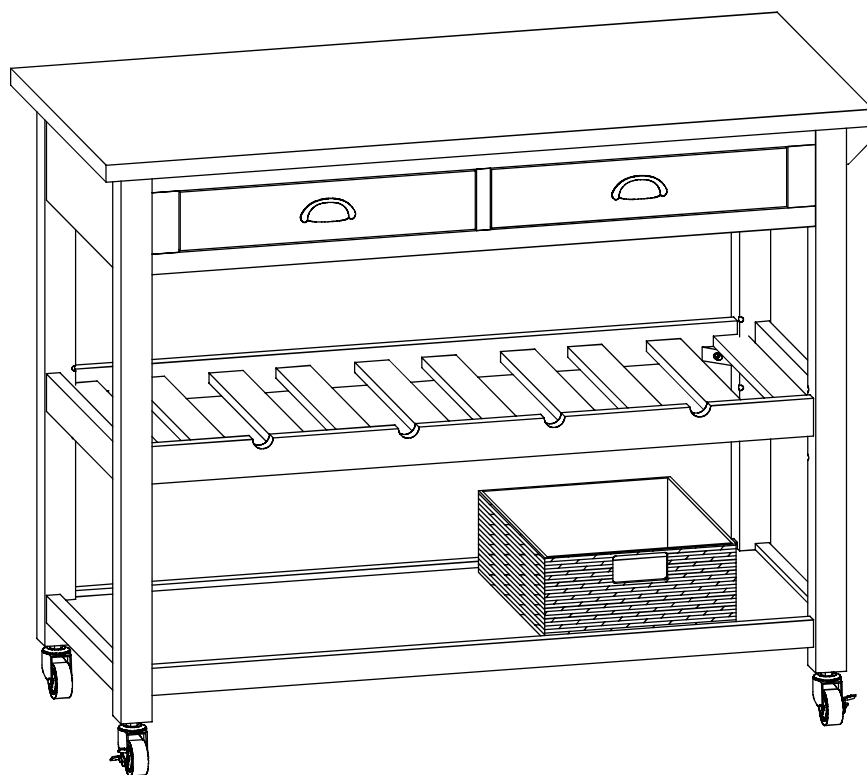


# Boraam Industries

ASSEMBLY INSTRUCTIONS

**SKU: 77521**

**COLORADO 44" KITCHEN ISLAND**



Have questions about assembling your item?



Items or parts damaged?



Missing a part?

**We're here to help! (Monday-Friday from 9am-5pm CST)**



847-949-6300  
877-267-2261



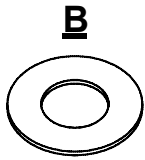
customerservice@  
boraamindustries.com



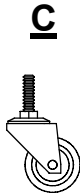
www.boraamindustries.com



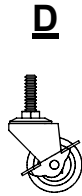
Wood Nut  
8 PCS



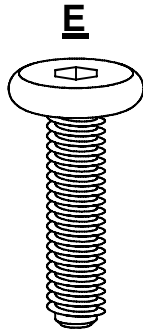
Flat Washer  
16 PCS



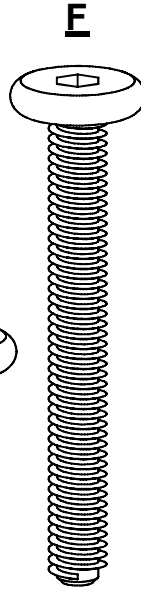
Caster  
2 PCS



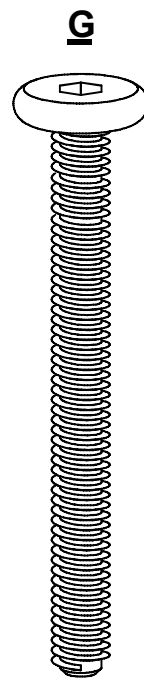
Caster with lock  
2 PCS



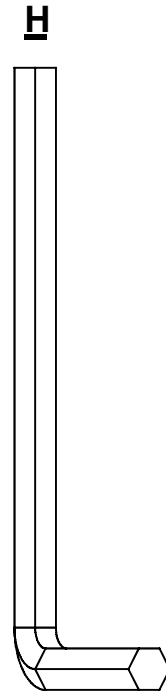
M6\*35  
4 PCS



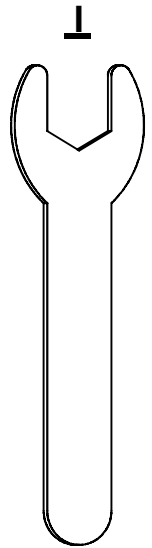
M6\*50  
8 PCS



M6\*70  
8 PCS

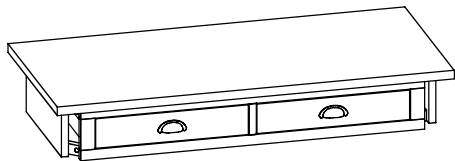


1 PC

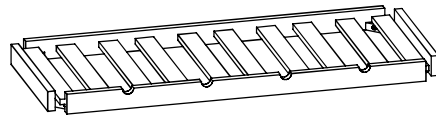


Wrench  
1 PC

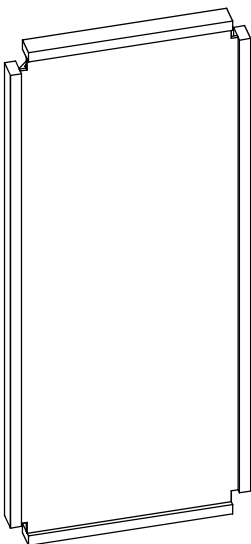
1



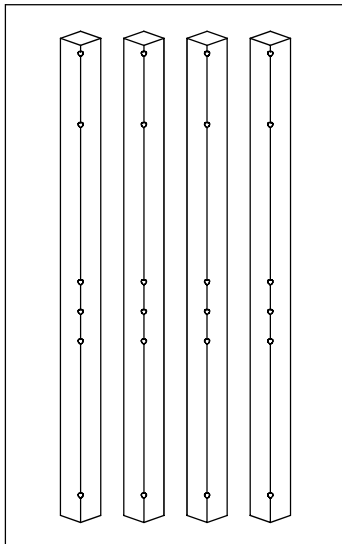
2



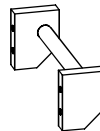
3



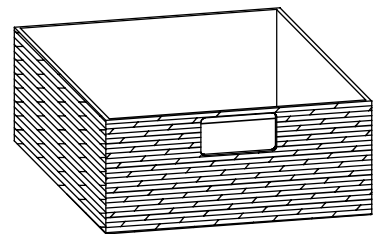
4



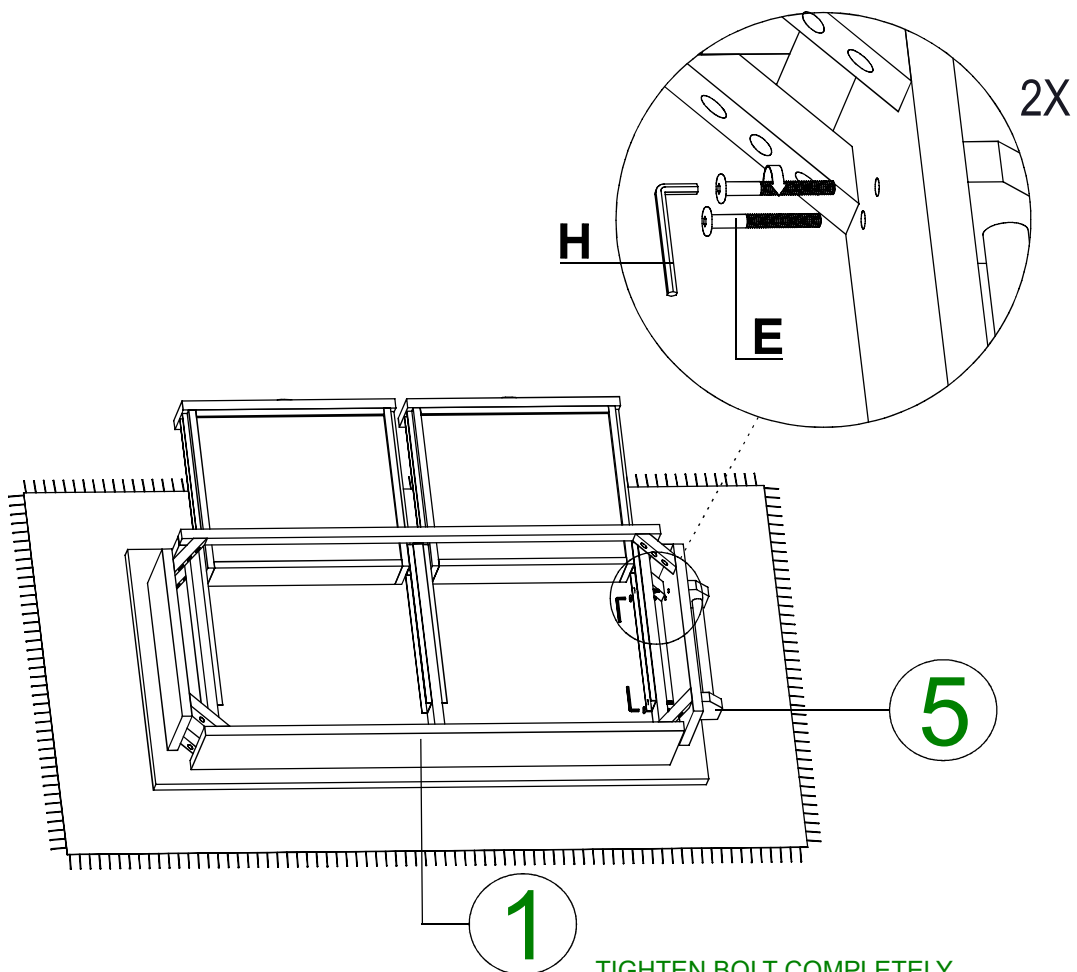
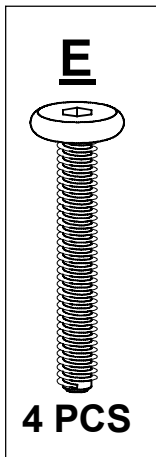
5



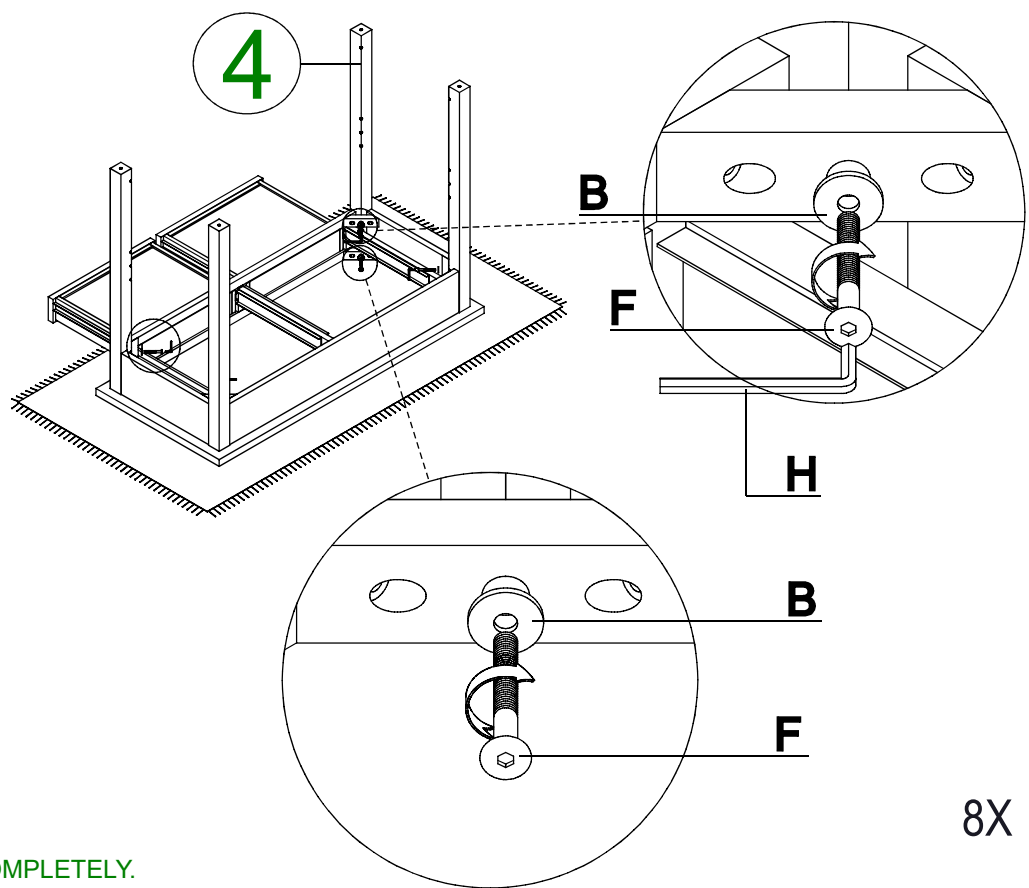
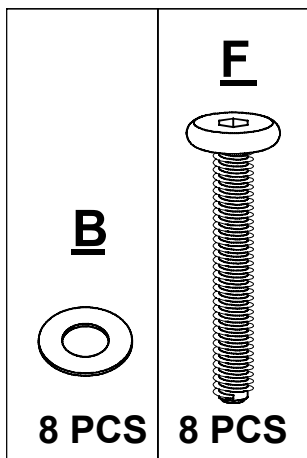
6



# 01

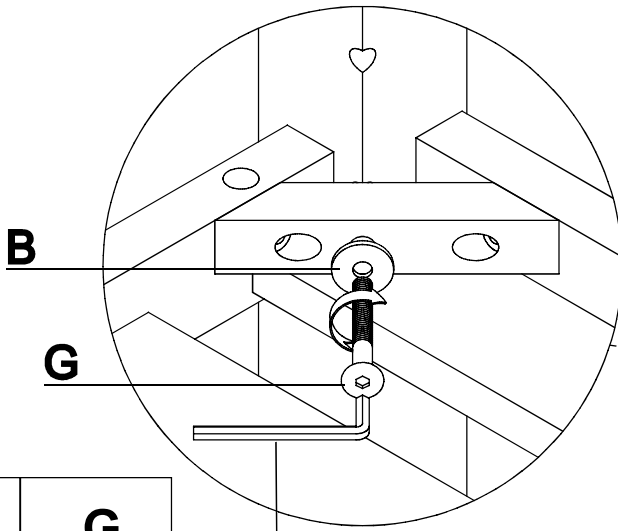


# 02



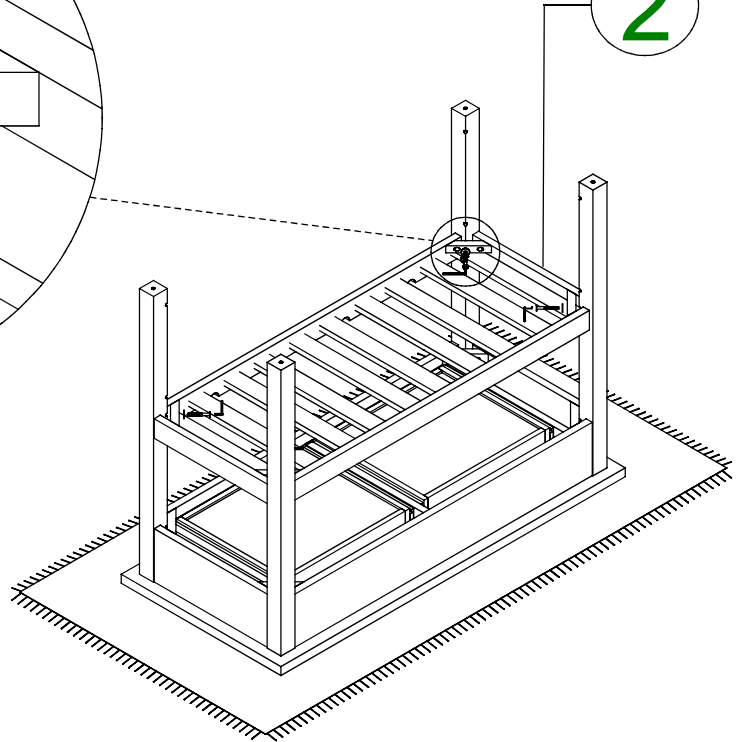
DO NOT TIGHTEN BOLT COMPLETELY.

# 03

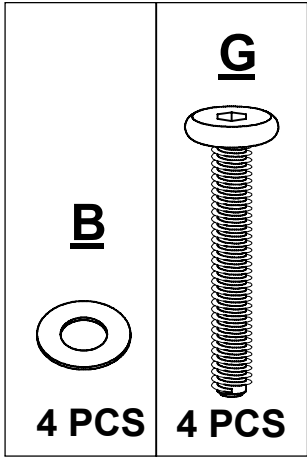


4X

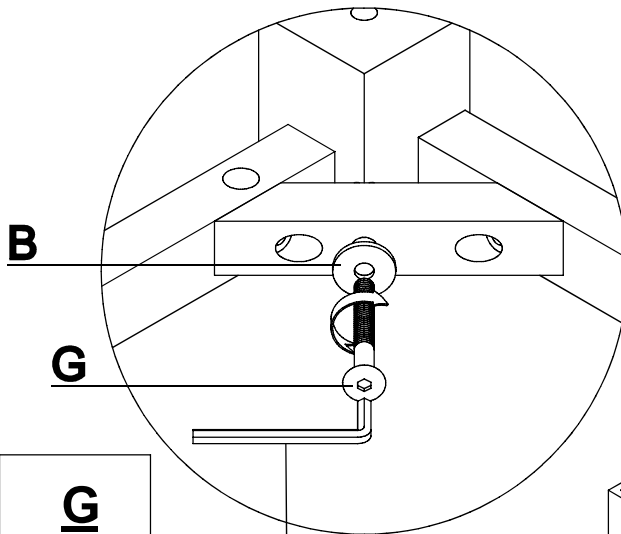
2



TIGHTEN BOLT COMPLETELY.

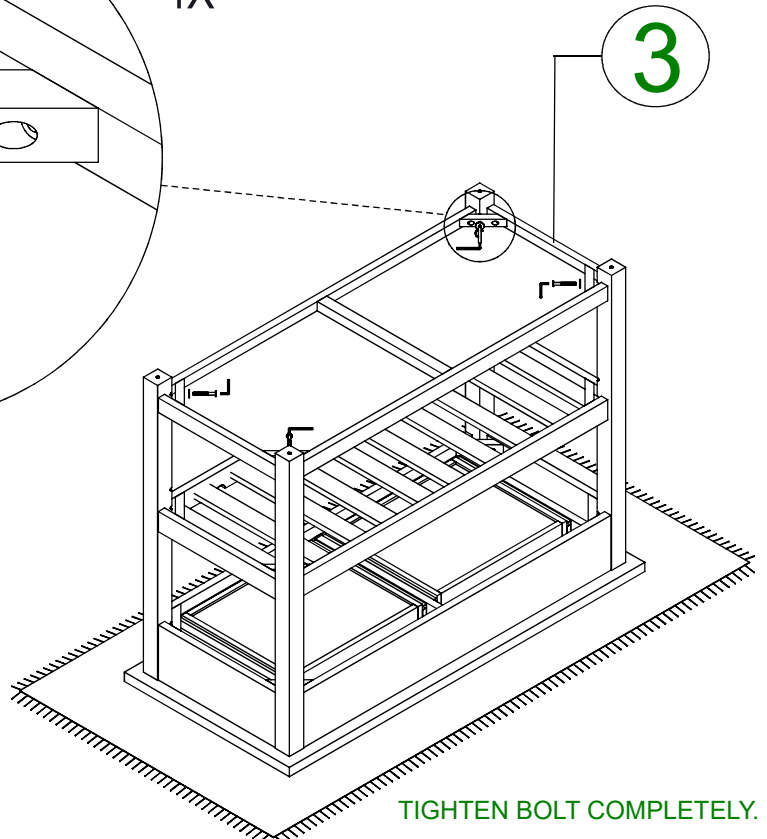


# 04

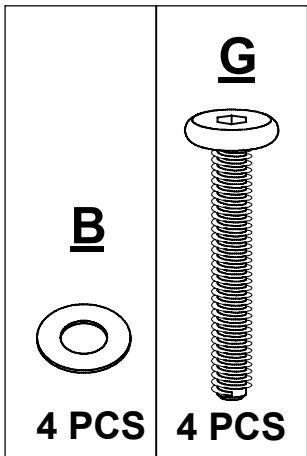


4X

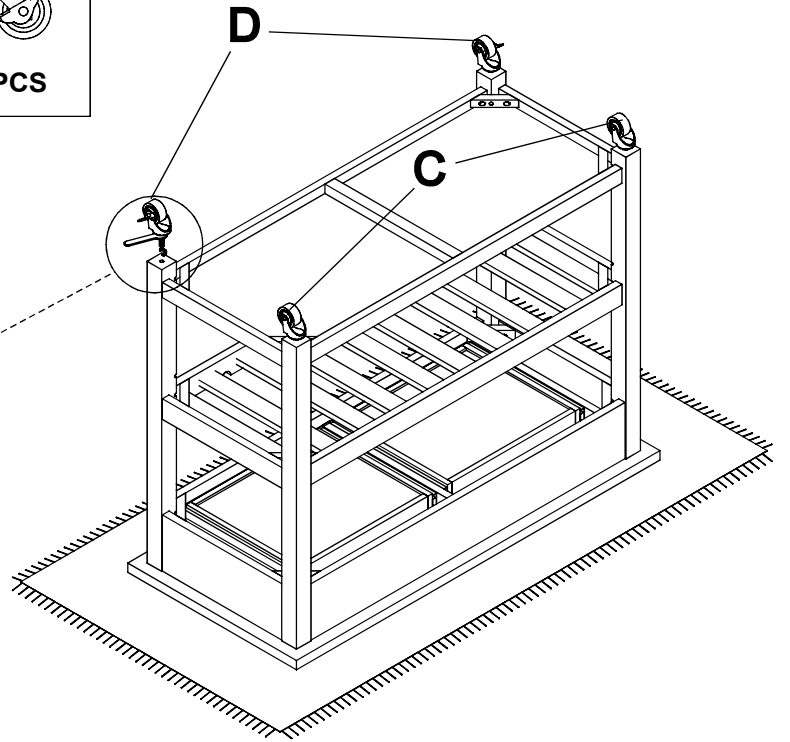
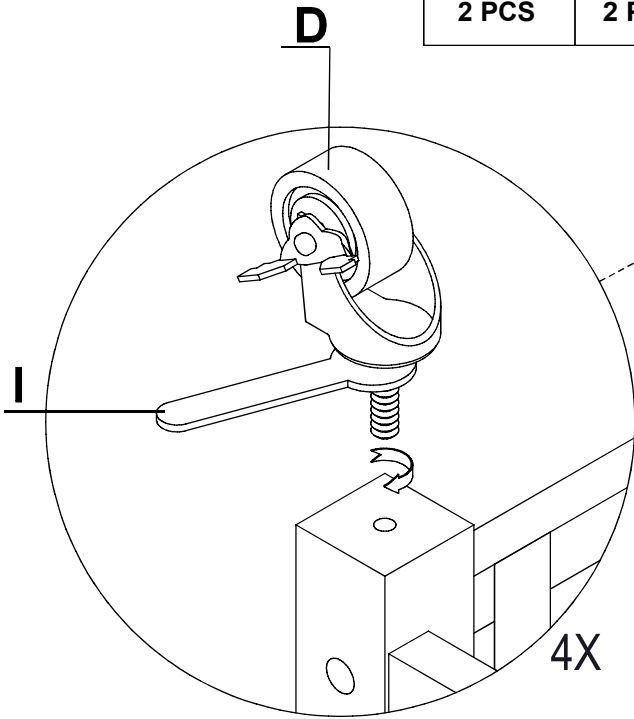
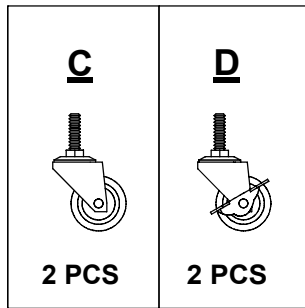
3



TIGHTEN BOLT COMPLETELY.

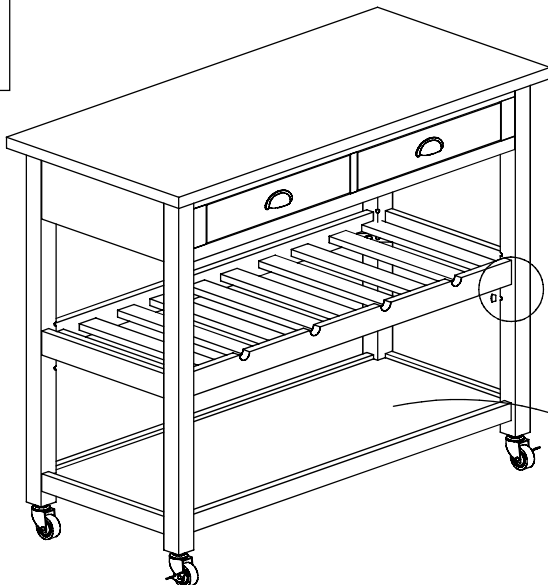
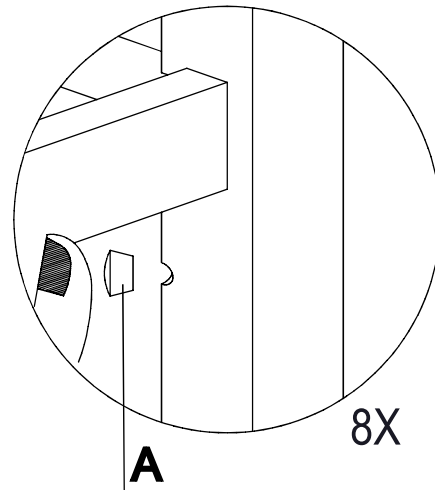
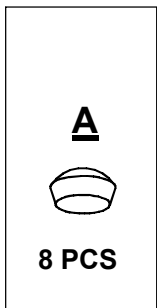


# 05

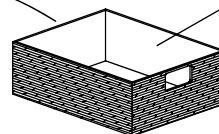


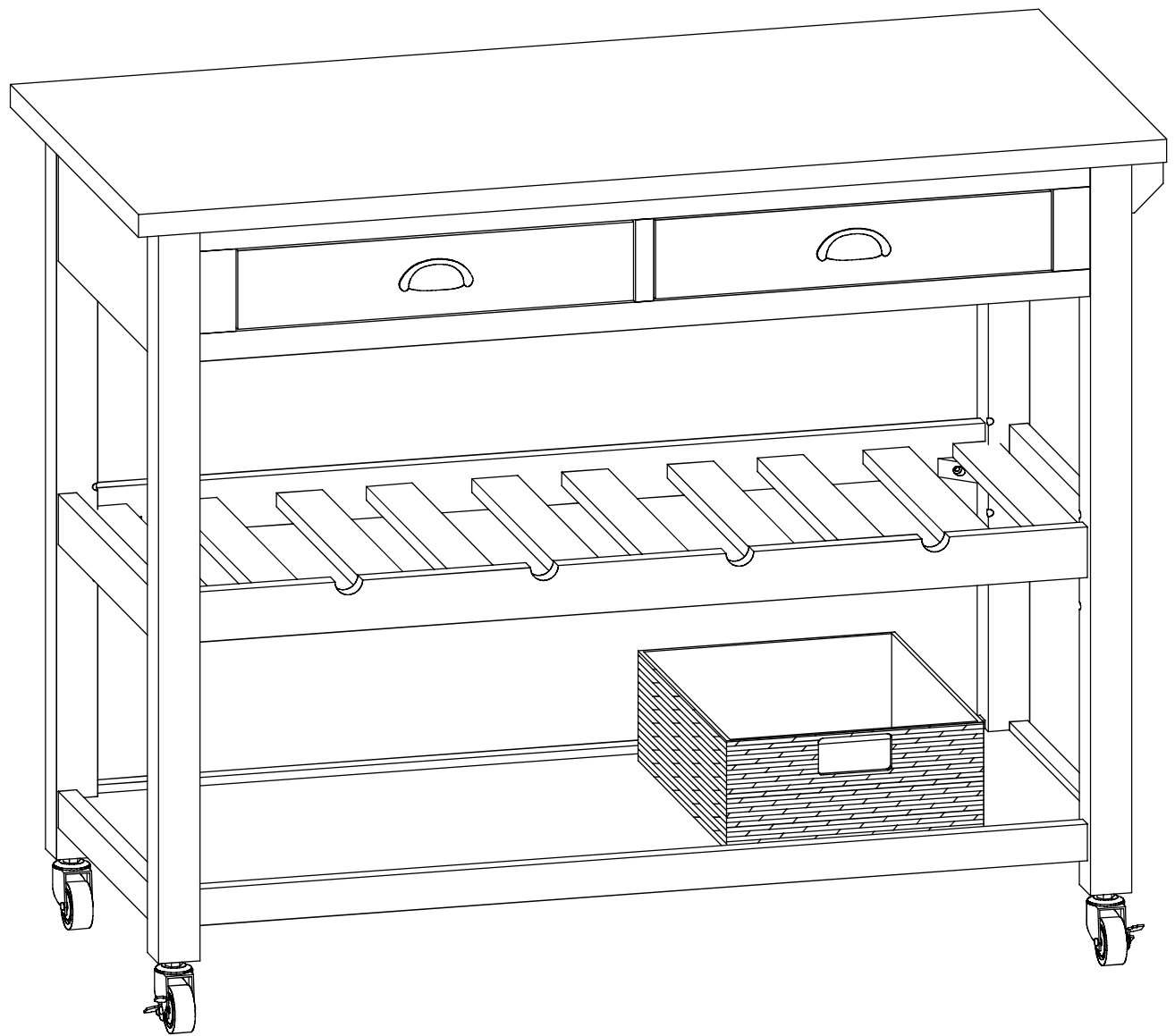
TIGHTEN BOLT COMPLETELY.

# 06



6





BE SURE TO CHECK ALL BOLTS ARE SECURELY  
TIGHTENED PRIOR USING THIS CART.