

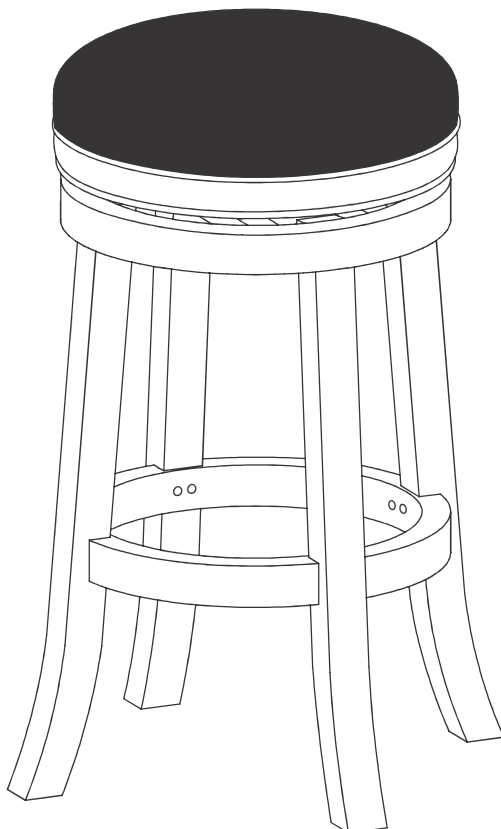


Boraam Industries

ASSEMBLY INSTRUCTIONS

SKU: 44224,44229,44824,44829

BACKLESS SWIVEL STOOL



Have questions about assembling your item?



Items or parts damaged?



Missing a part?

We're here to help! (Monday-Friday from 9am-5pm CST)



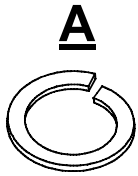
847-949-6300
877-267-2261



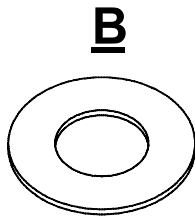
customerservice@
boraamindustries.com



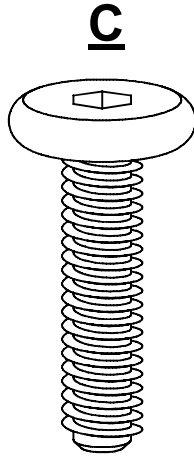
www.boraamindustries.com



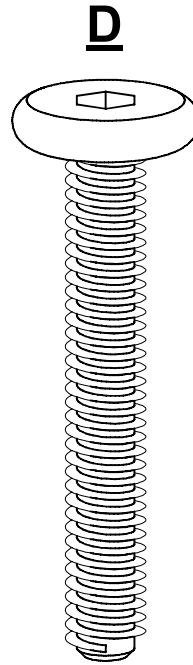
M6*10
16 PCS



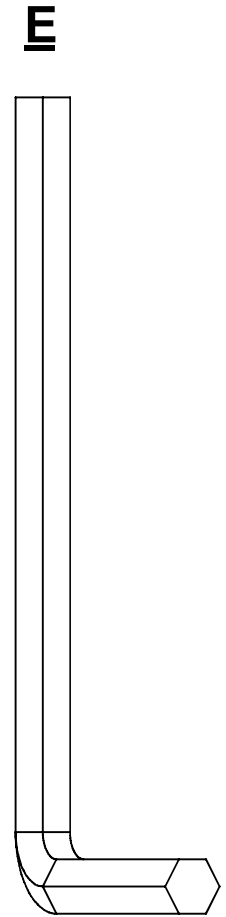
M6*16
20 PCS



M6*25
4 PCS

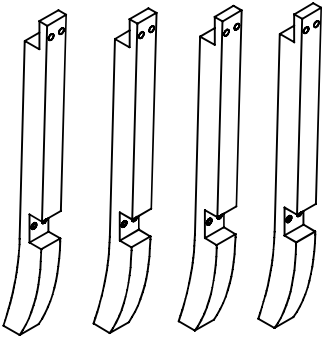


M6*40
16 PCS

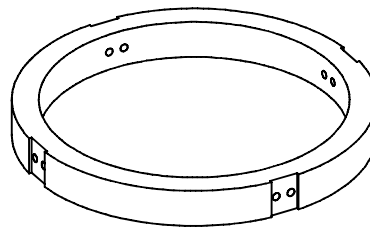


M4*110
1 PC

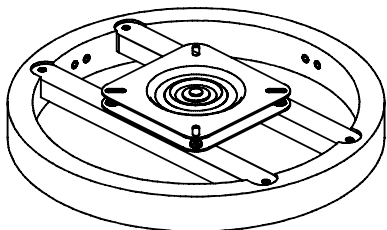
1



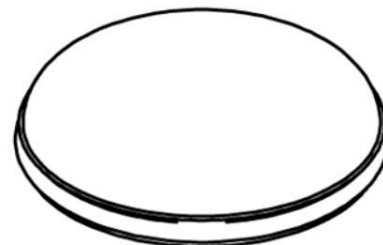
2



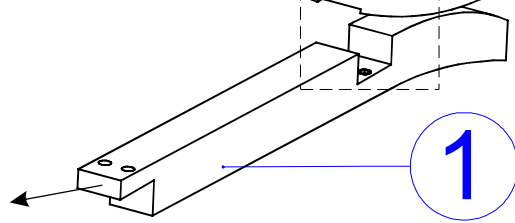
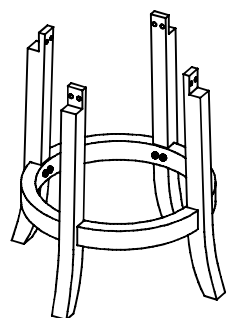
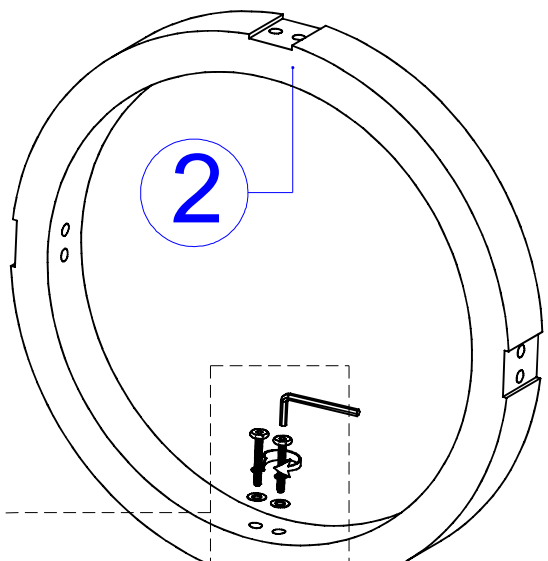
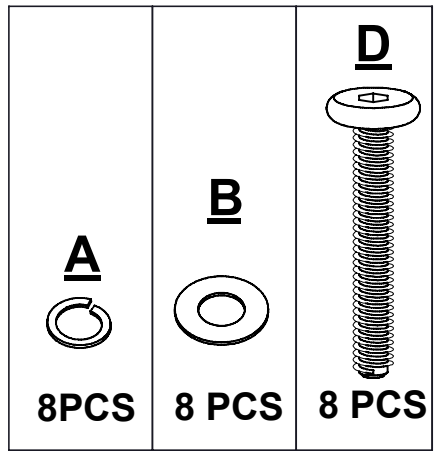
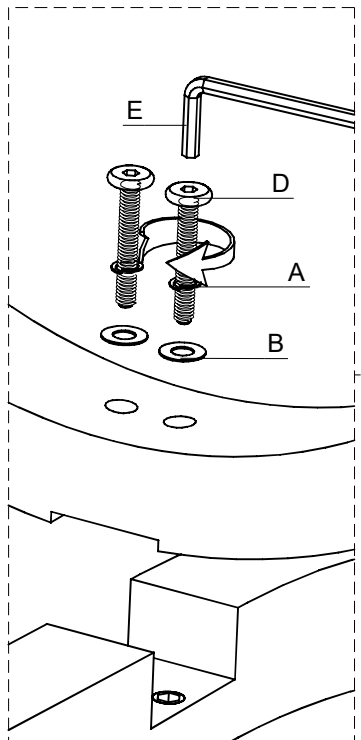
3



4

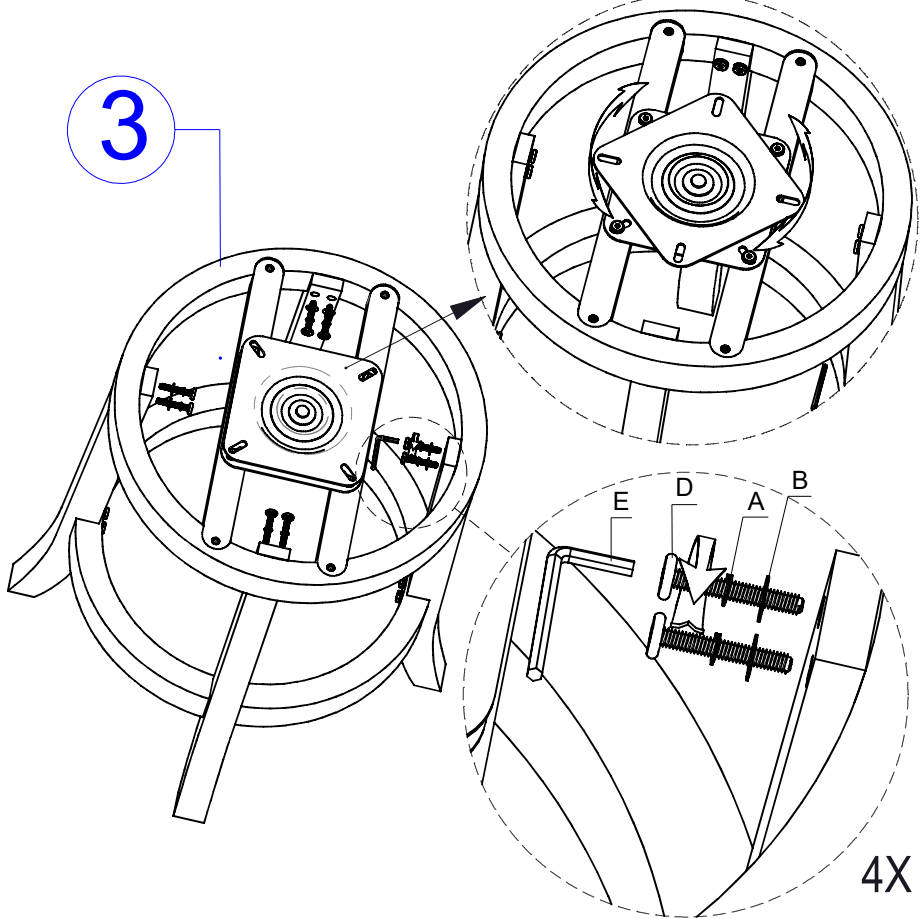
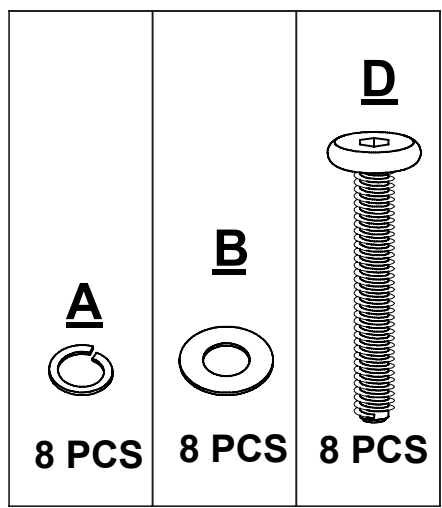


01



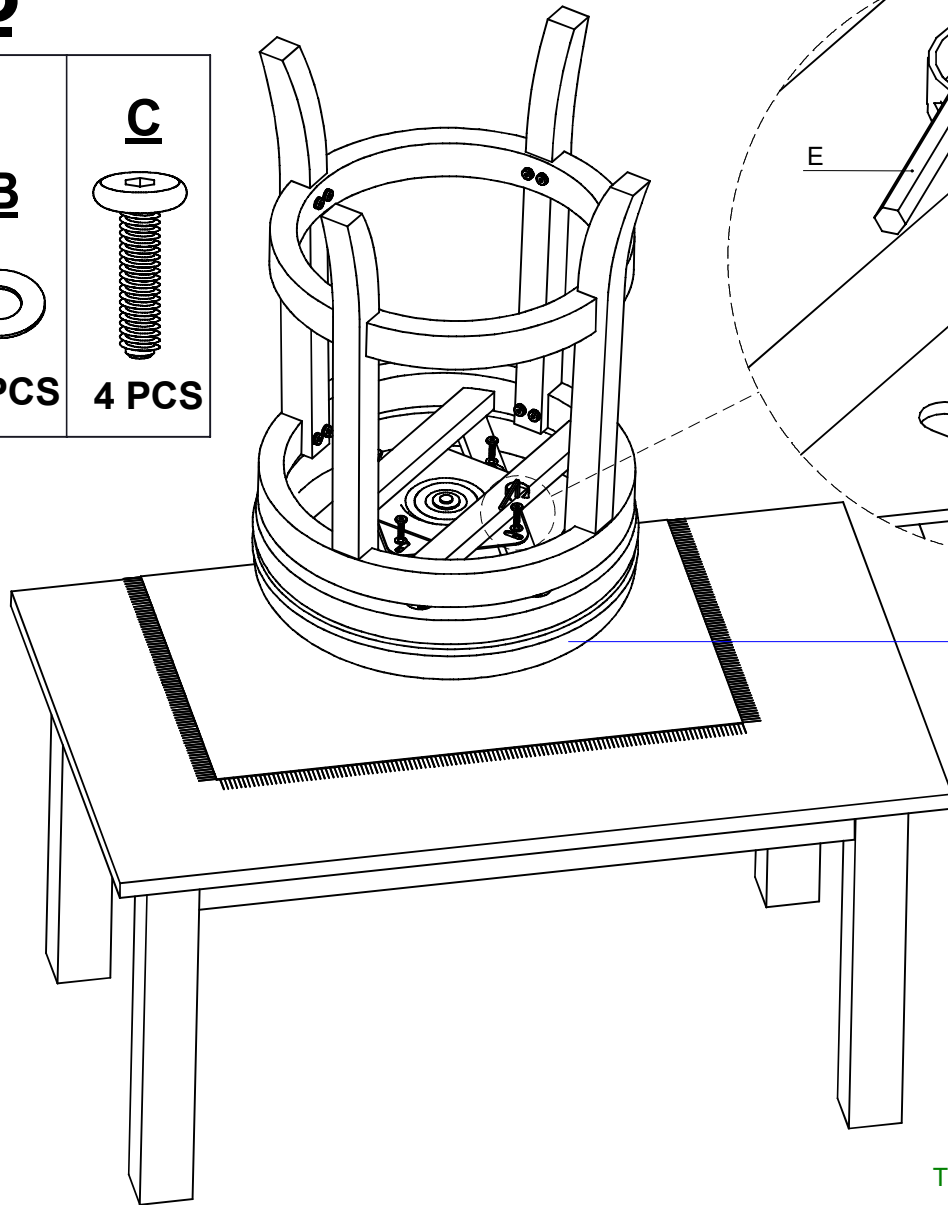
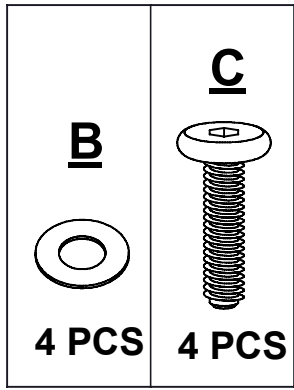
DO NOT TIGHTEN BOLT COMPLETELY.

02

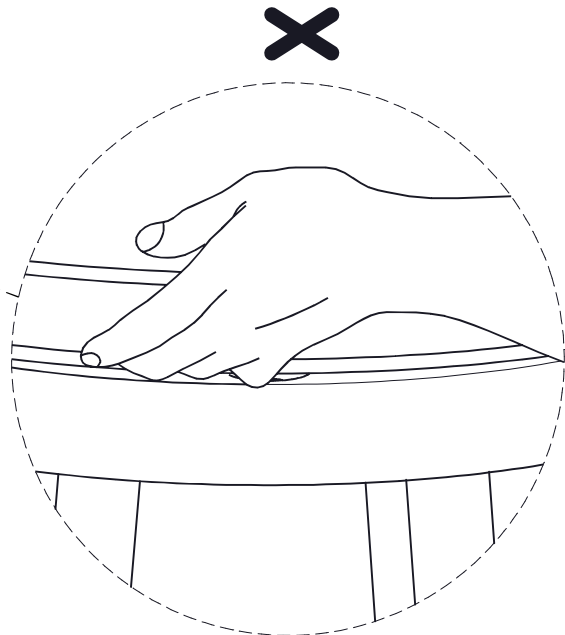
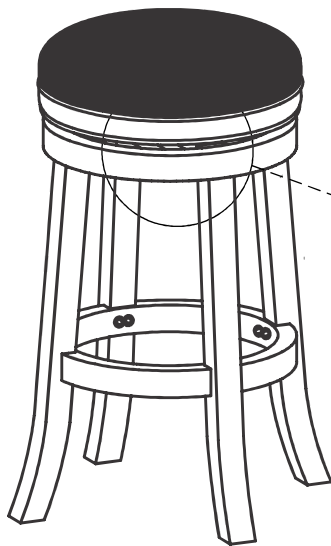


TIGHTEN BOLT COMPLETELY.

03



TIGHTEN BOLT COMPLETELY.



BE SURE TO CHECK ALL BOLTS ARE SECURELY TIGHTENED PRIOR USING THIS STOOL.