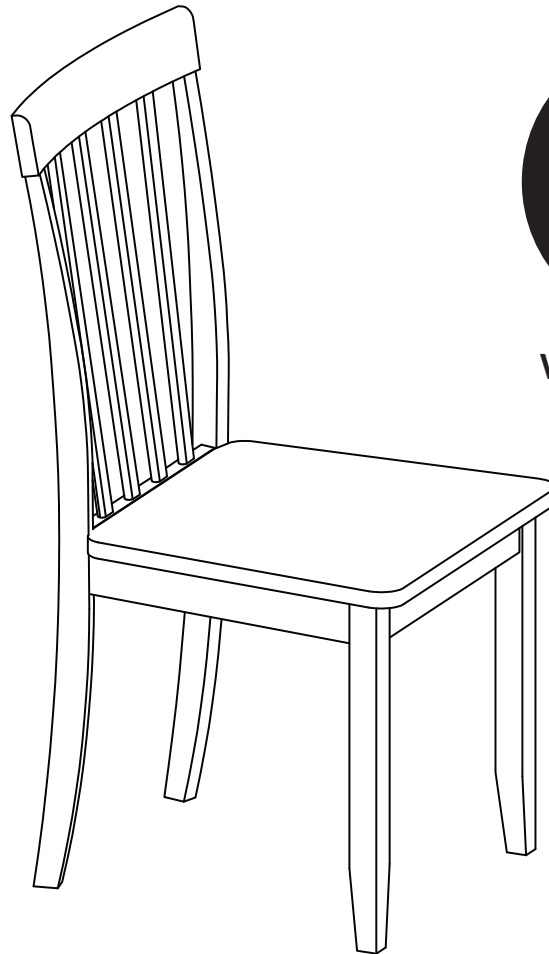




Boraam Industries

ASSEMBLY INSTRUCTIONS

SKU: 22032,21031 | BLOOMINGTON DINING CHAIR



Weight Capacity

Version 1 / Updated as of 11/17/23



Have questions about assembling your item?



Items or parts damaged?



Missing a part?

We're here to help! (Monday-Friday from 9am-5pm CST)



847-949-6300
877-267-2261



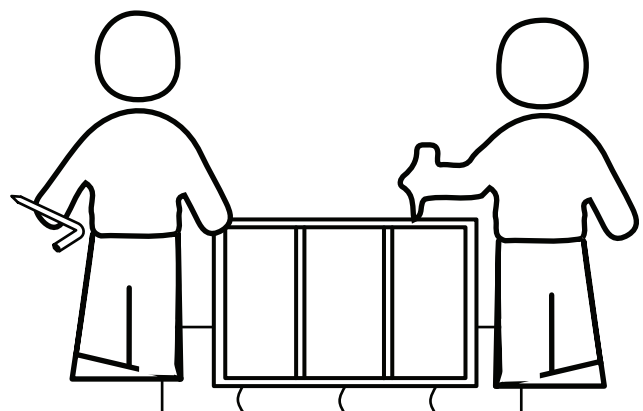
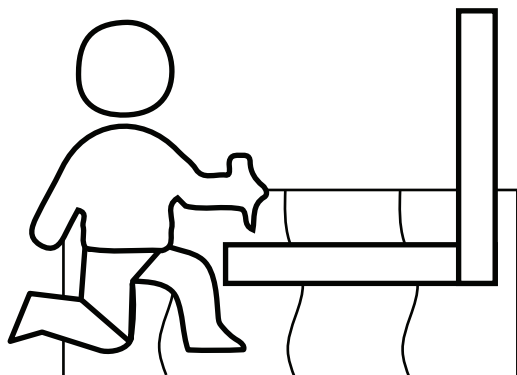
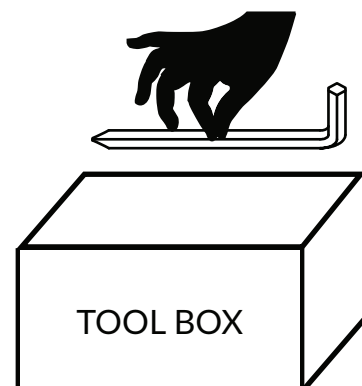
customerservice@
boraamindustries.com



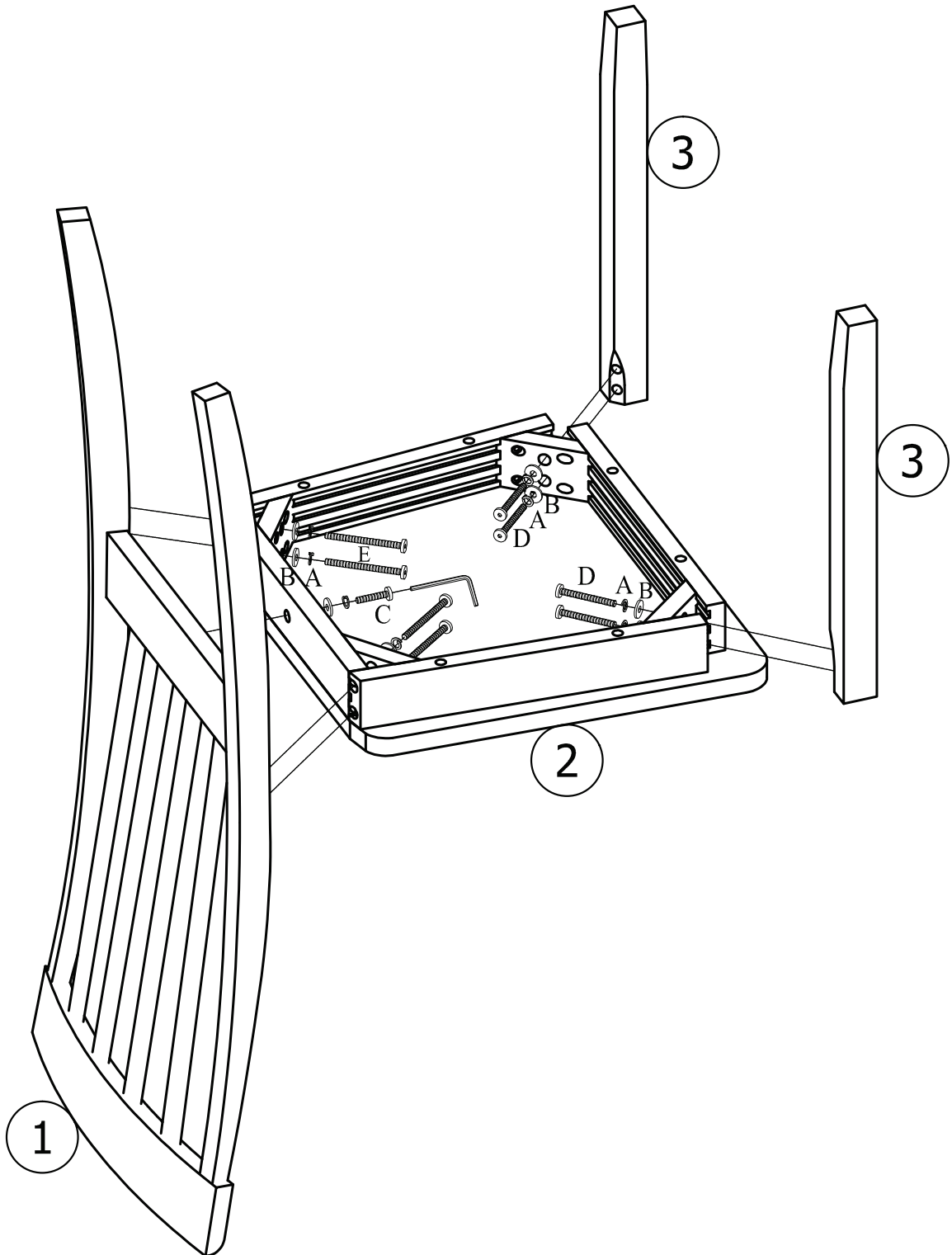
www.boraamindustries.com

Assembly And Care

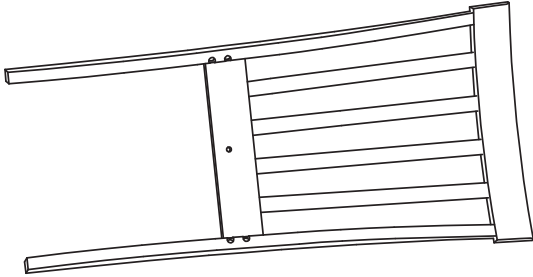
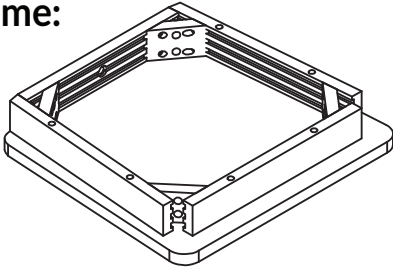

- All tools required for assembly are included unless noted.
- Prior to assembly, check for missing or damaged parts.
- Do not dispose of packaging materials until assembly is completed.
- Assemble item on a soft, clean surface to prevent damage to the item.




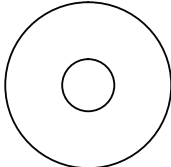
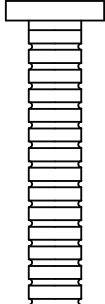
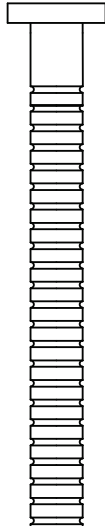
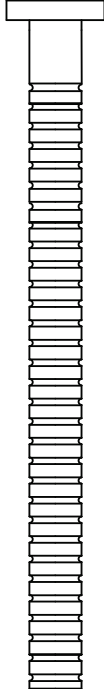
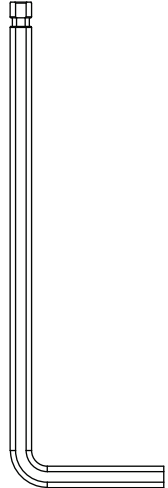
Assembly Overview



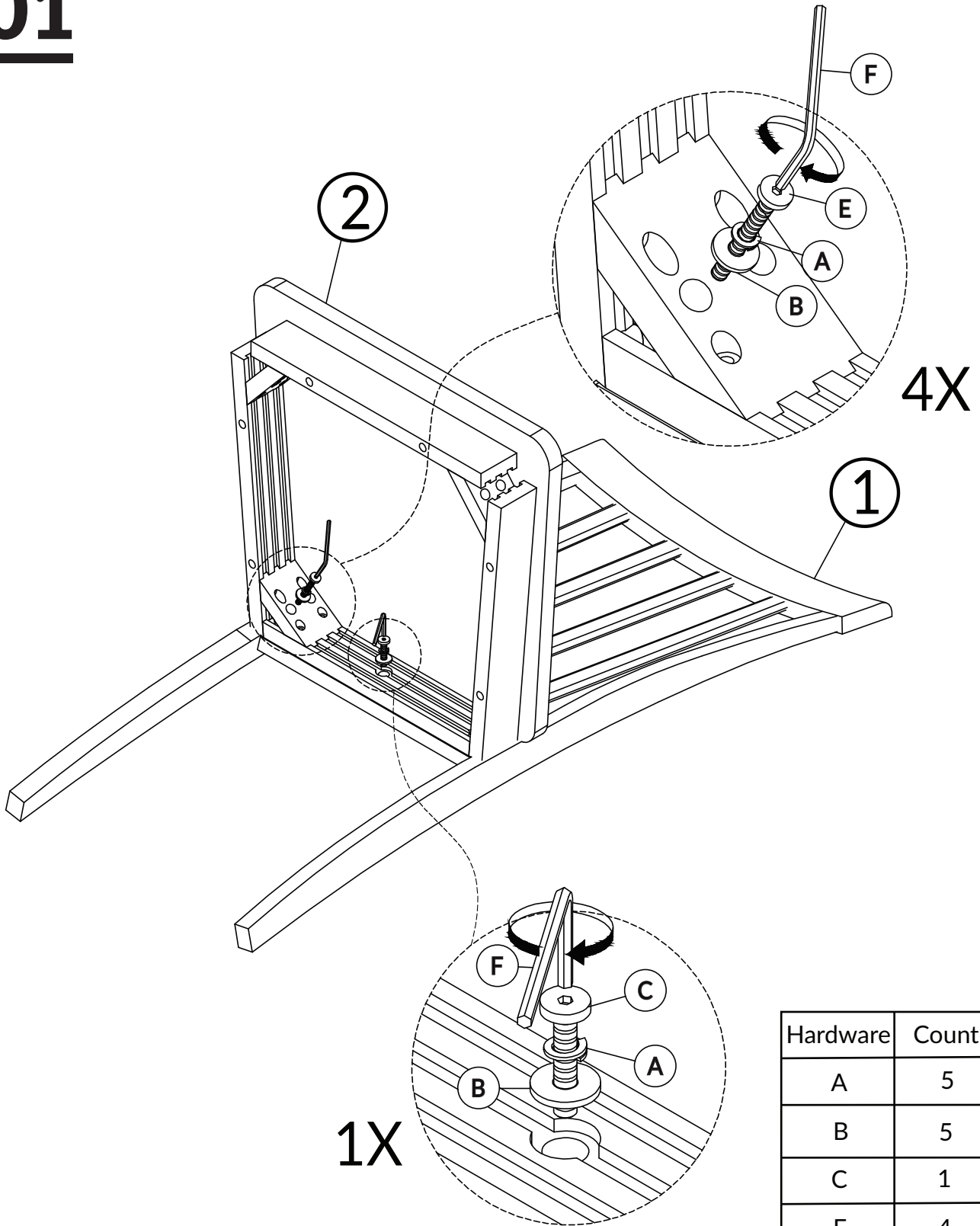
PARTS

① (x1)	
<p>Chair Back:</p> 	
② (x1)	③ (x2)
<p>Seat Frame:</p> 	<p>Leg:</p> 

HARDWARE

Ⓐ (x9)	Ⓑ (x9)	Ⓒ (x1)	Ⓓ (x4)	Ⓔ (x4)	Ⓕ (x1)
					
Spring Washer	Flat Washer	Bolt M6x35	Bolt M6x60	Bolt M6x80	Allen Wrench

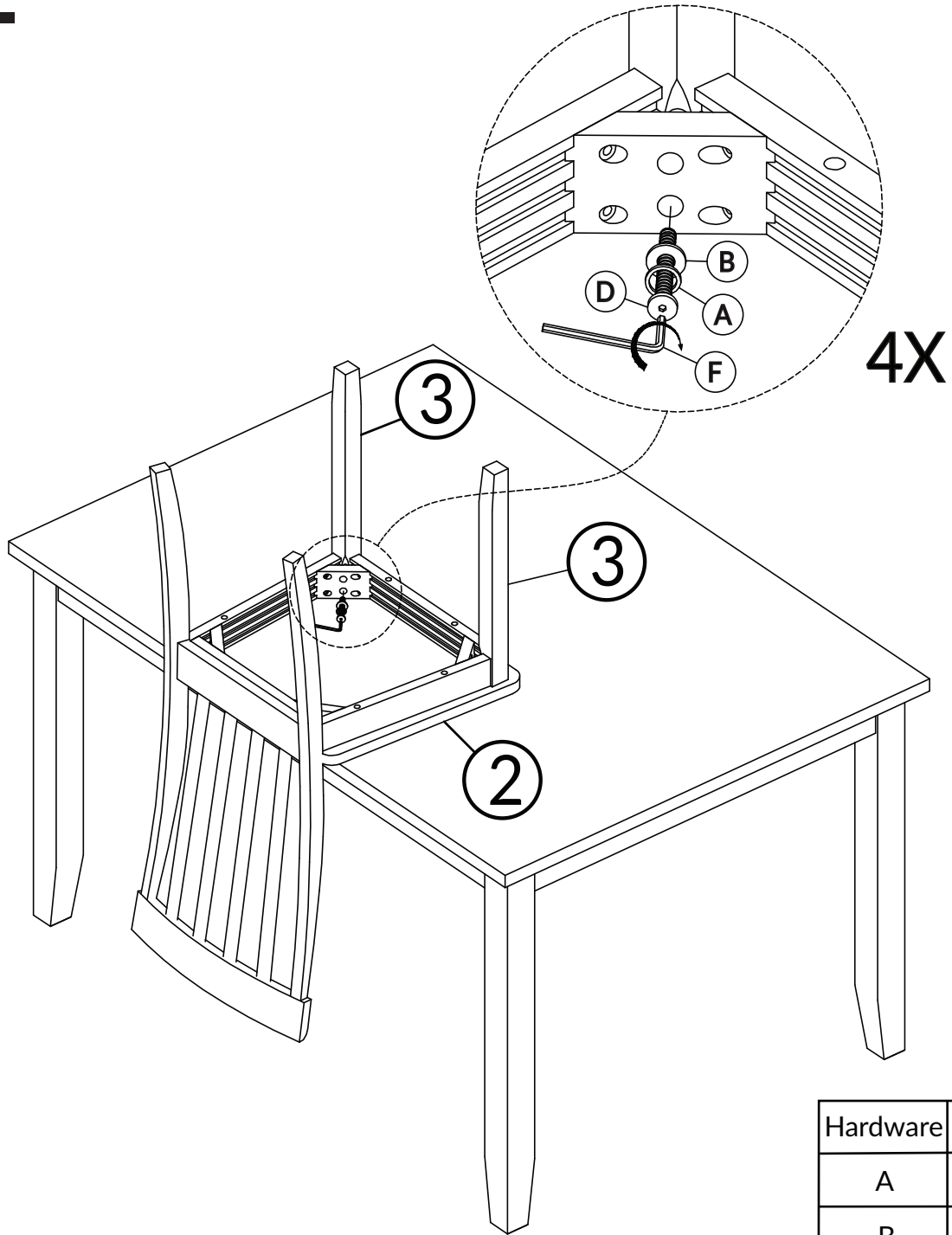
01



Hardware	Count
A	5
B	5
C	1
E	4
F	1

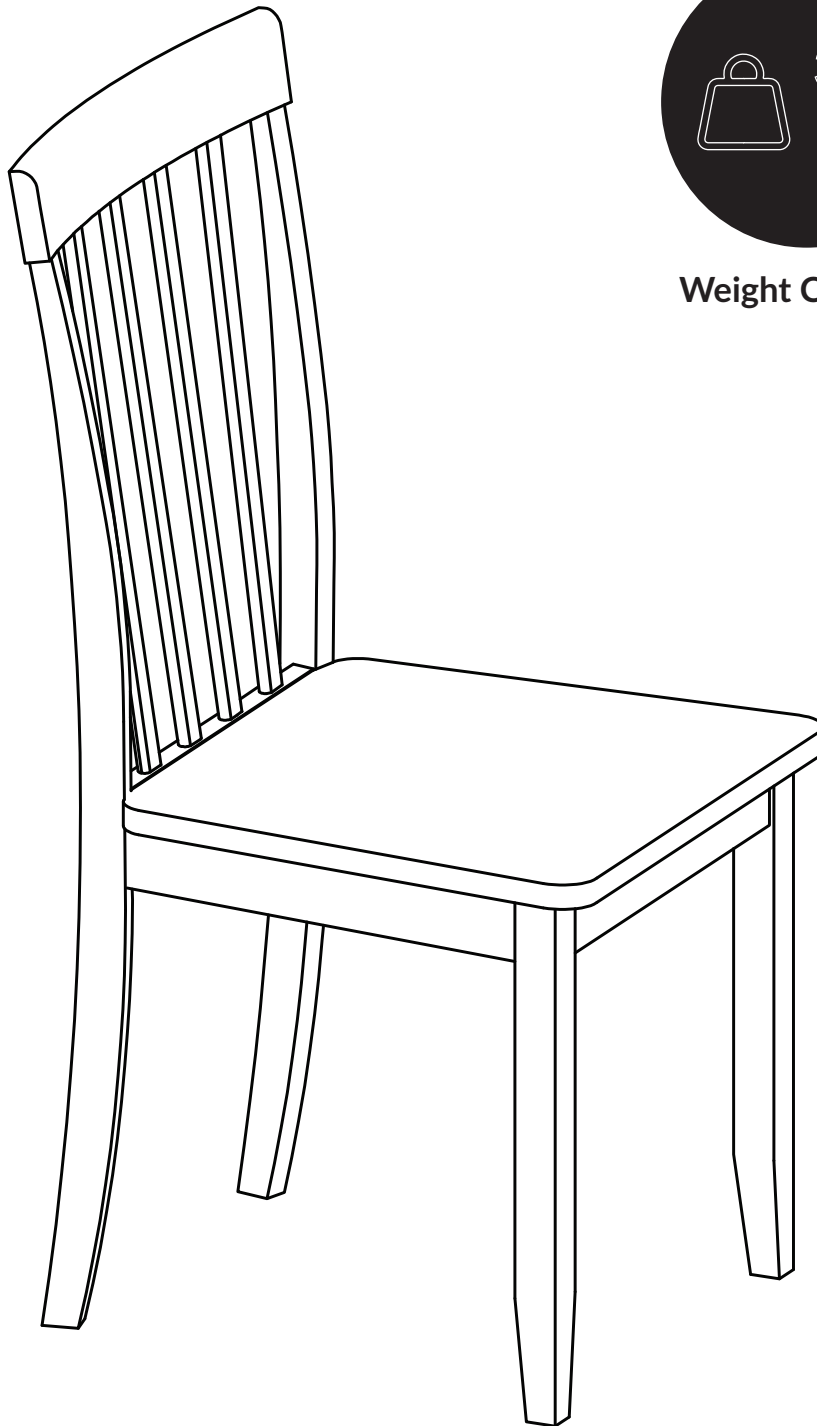
TIGHTEN BOLT COMPLETELY.

02



Hardware	Count
A	4
B	4
D	4
F	1

TIGHTEN BOLT COMPLETELY.



Weight Capacity

BE SURE TO CHECK ALL BOLTS ARE SECURELY TIGHTENED PRIOR TO USE.

847-949-6300 | 877-267-2261 | customerservice@boraamindustries.com