



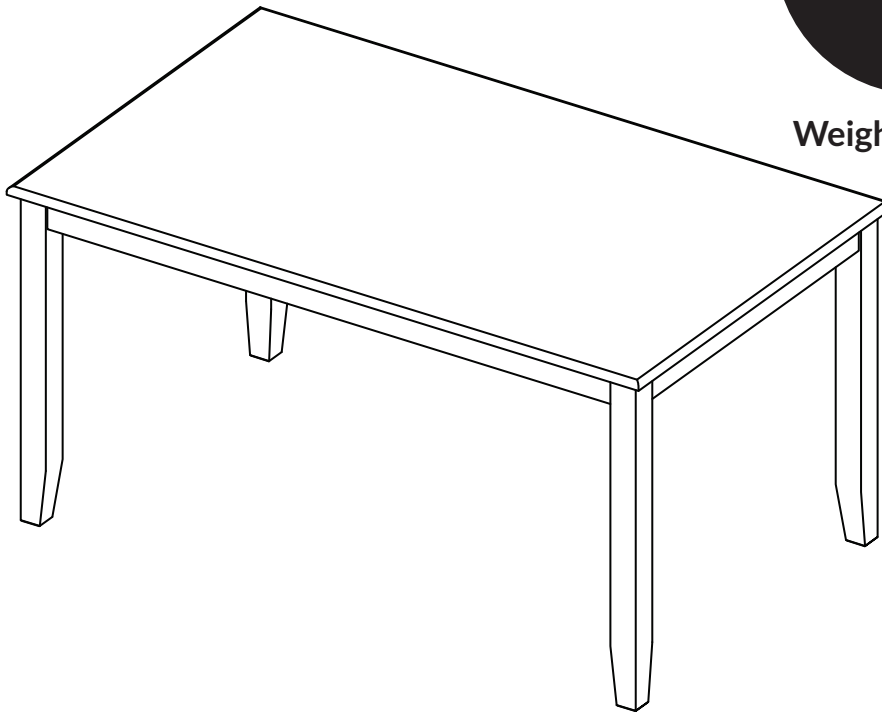
Boraam Industries

ASSEMBLY INSTRUCTIONS

SKU: 22030,21030 | BLOOMINGTON TABLE



Weight Capacity



Version 1 / Updated as of 11-17-23



Have questions about assembling your item?



Items or parts damaged?



Missing a part?

We're here to help! (Monday-Friday from 9am-5pm CST)



847-949-6300
877-267-2261



customerservice@
boraamindustries.com



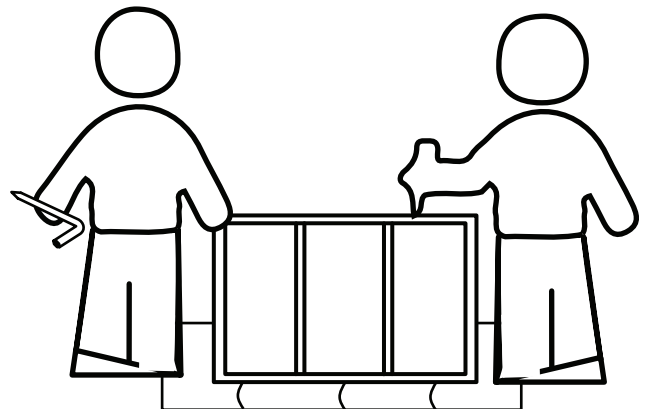
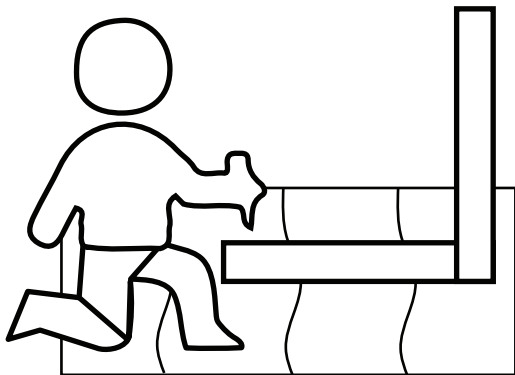
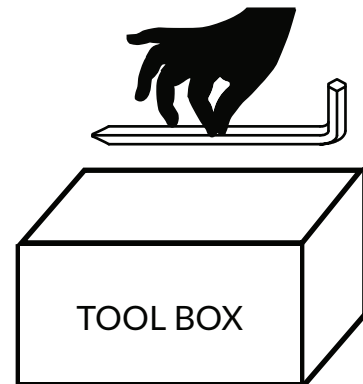
www.boraamindustries.com



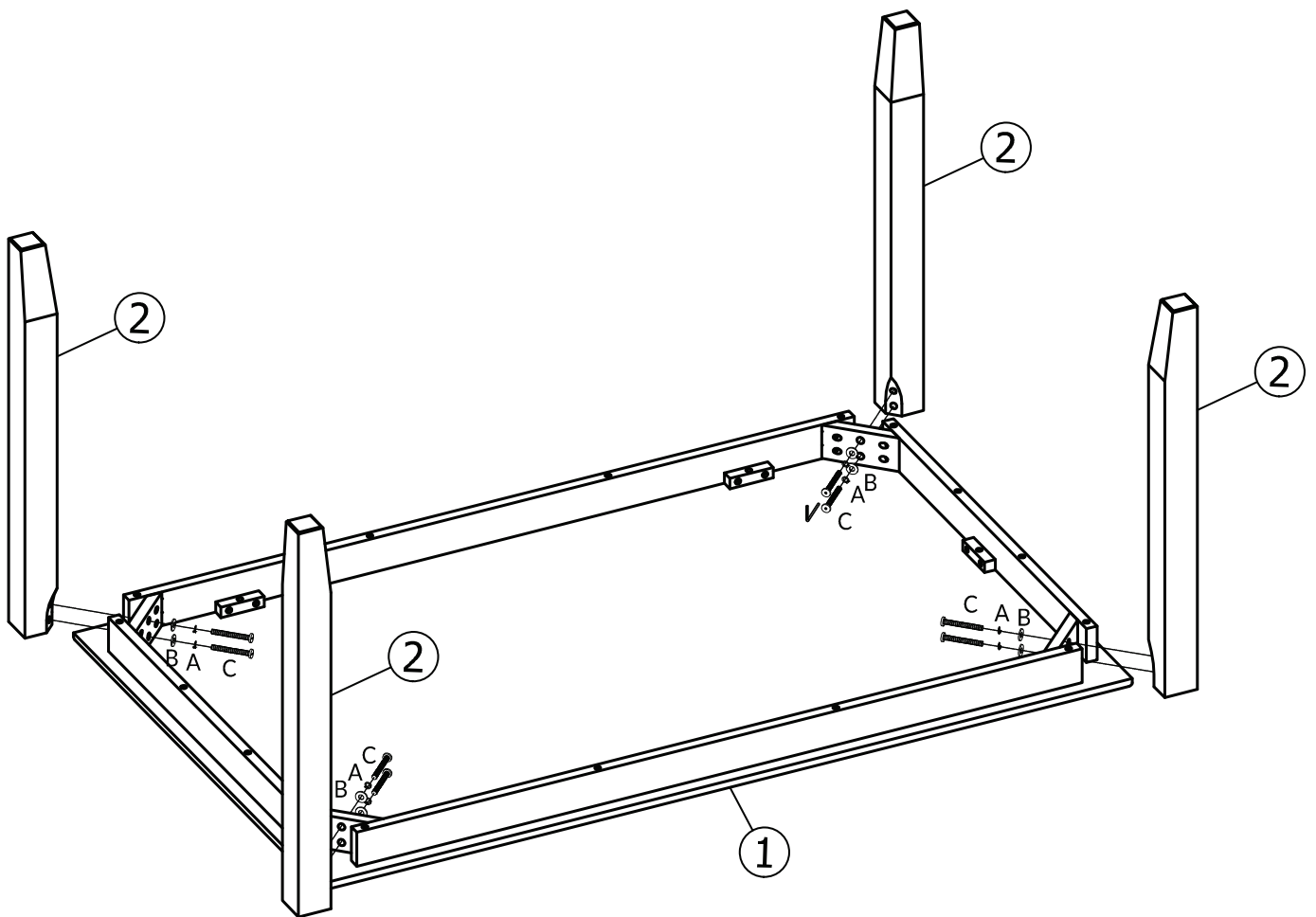
Philips screwdriver
not included.

Assembly And Care

- All tools required for assembly are included unless noted.
- Prior to assembly, check for missing or damaged parts.
- Do not dispose of packaging materials until assembly is completed.
- Assemble item on a soft, clean surface to prevent damage to the item.



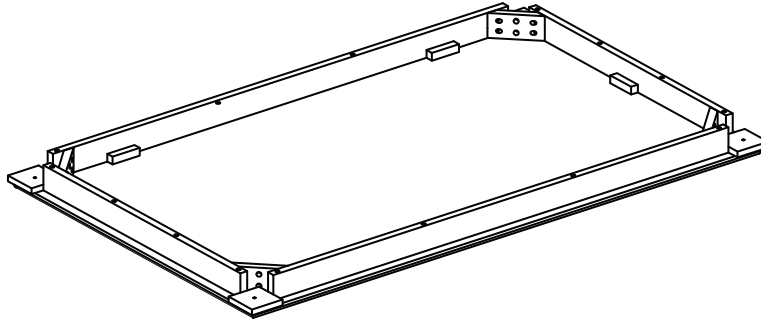
Assembly Overview



PARTS

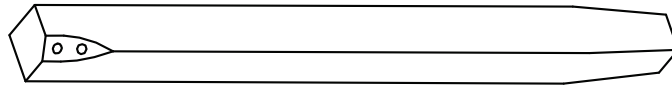
① (x1)

Top Panel:



② (x4)

Leg:



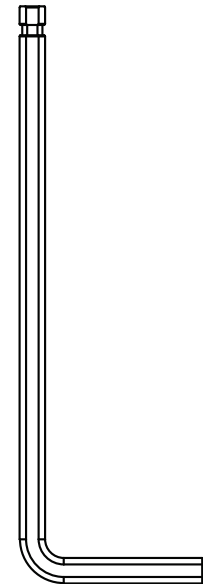
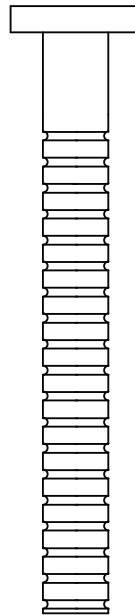
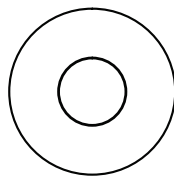
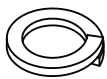
HARDWARE

Ⓐ (x8)

Ⓑ (x8)

Ⓒ (x8)

Ⓓ (x1)



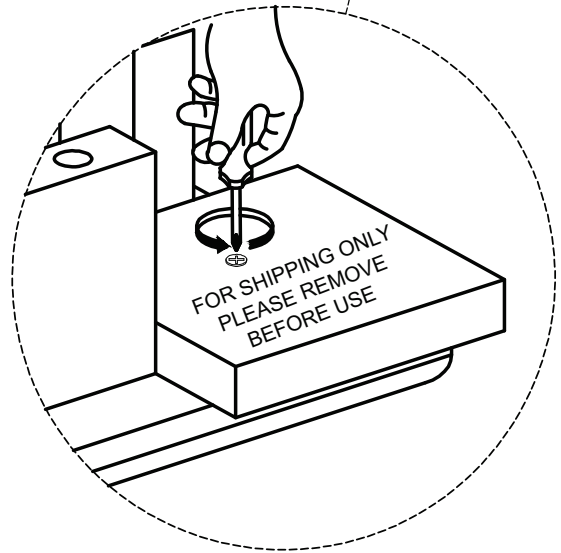
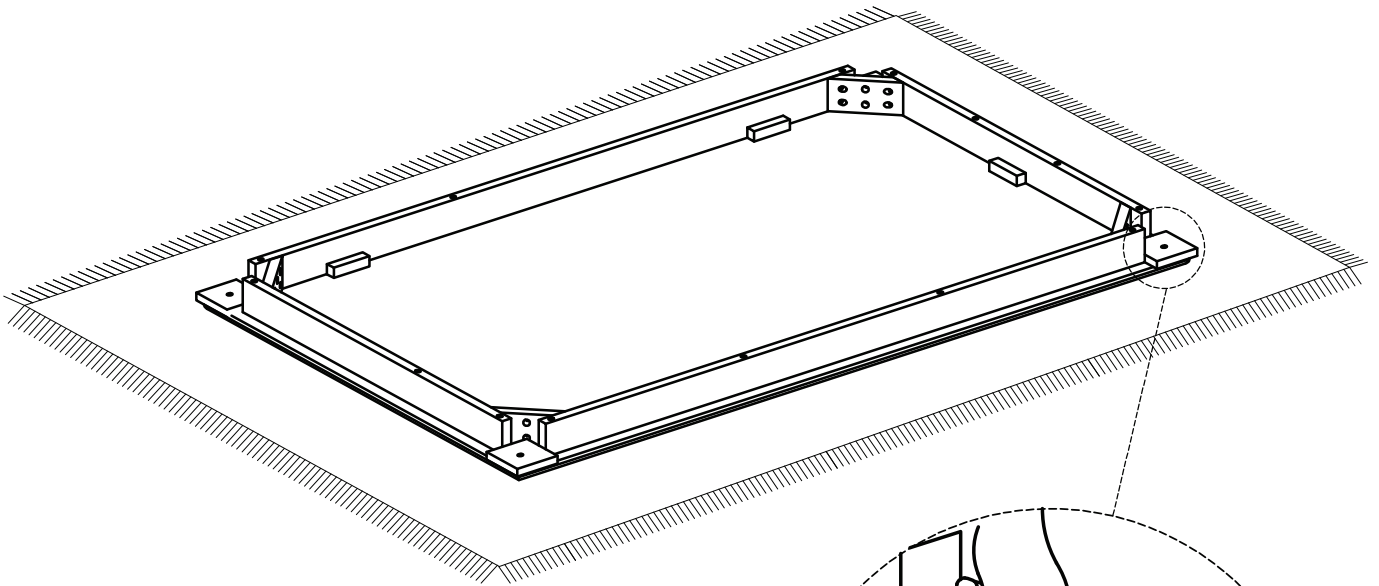
Spring Washer

Flat Washer

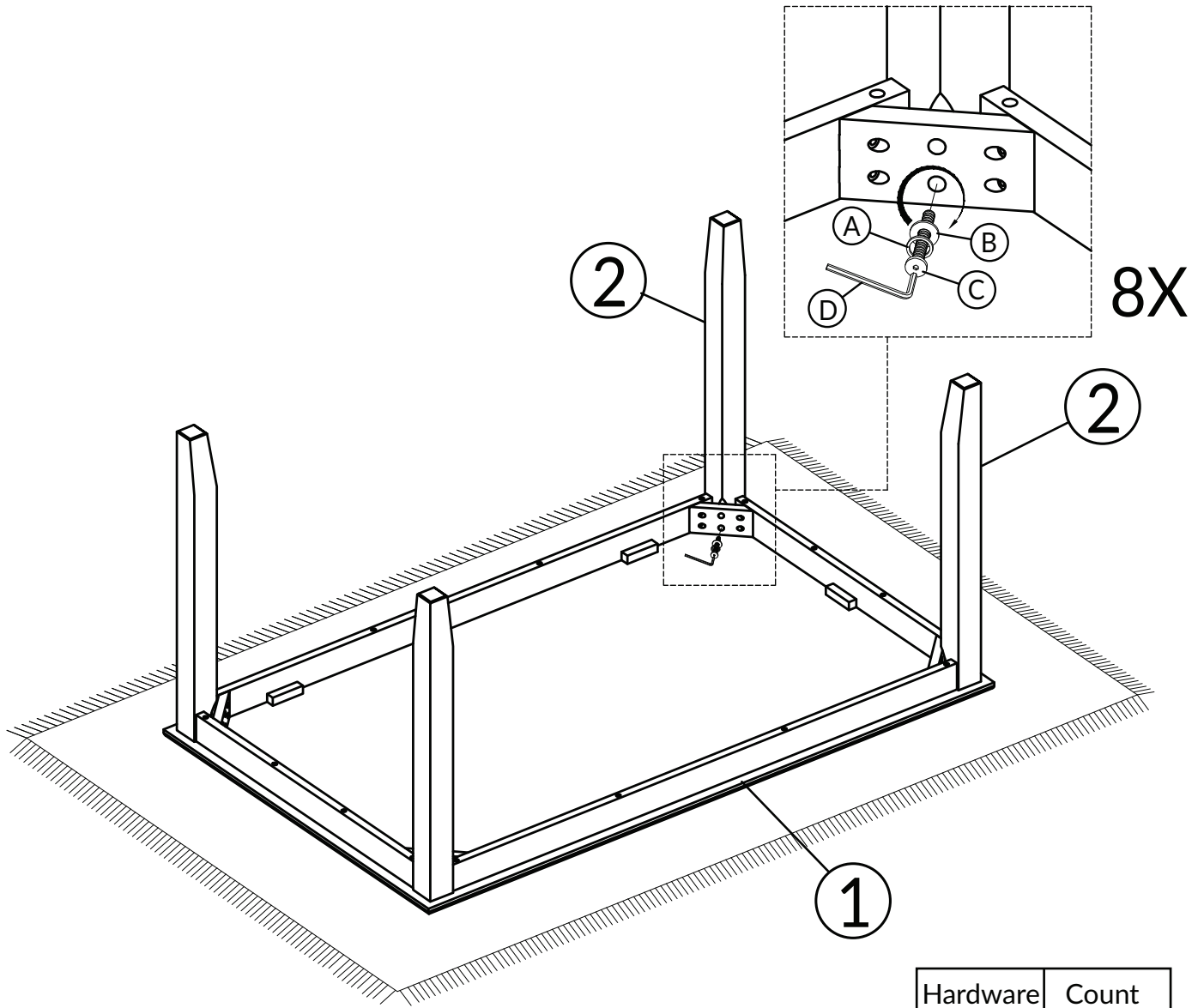
Bolt
M8x70

Allen
Wrench

01



02

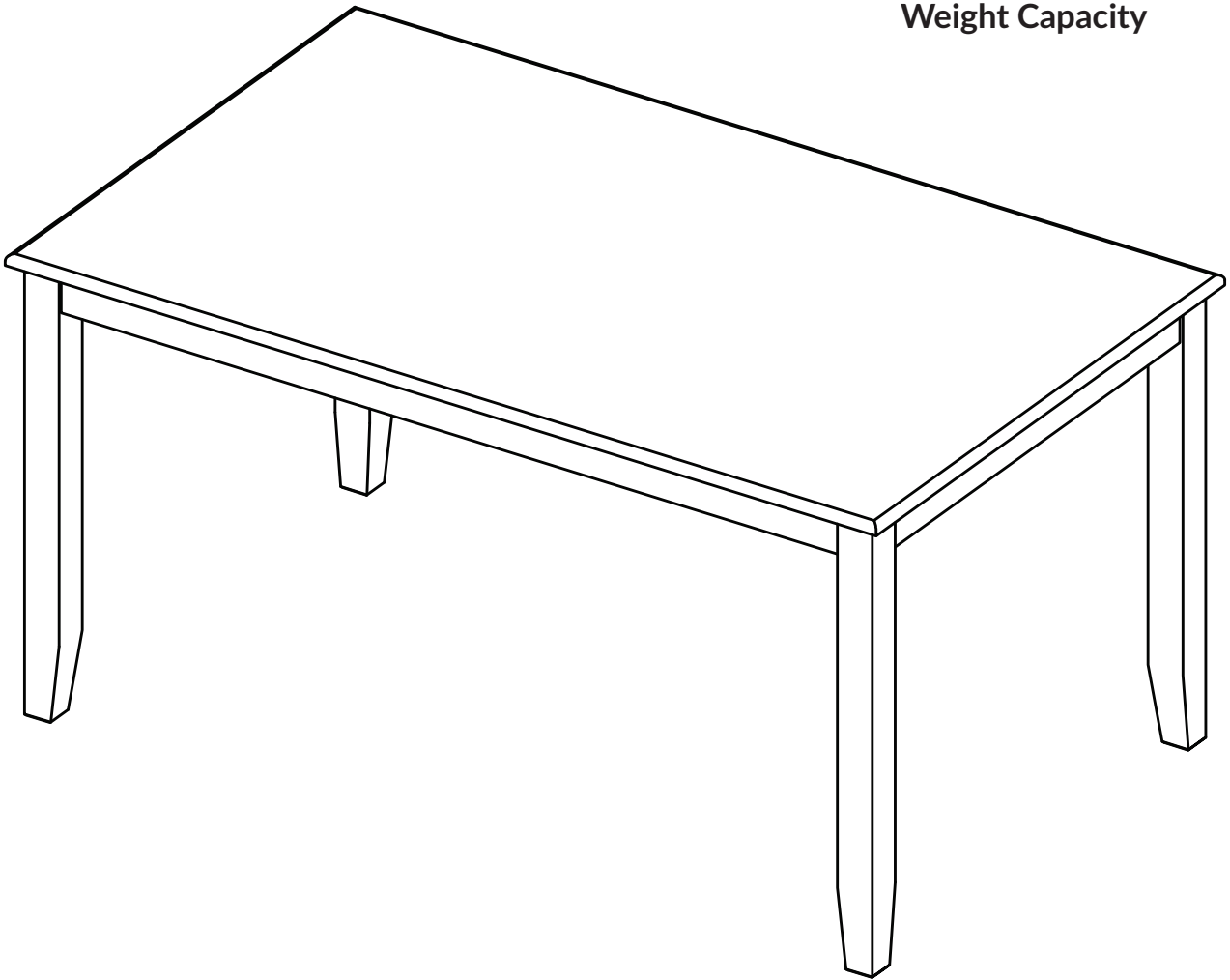


Hardware	Count
A	8
B	8
C	8
D	1

TIGHTEN BOLT COMPLETELY.



Weight Capacity



BE SURE TO CHECK ALL BOLTS ARE SECURELY TIGHTENED PRIOR TO USE.

847-949-6300 | 877-267-2261 | customerservice@boraamindustries.com