

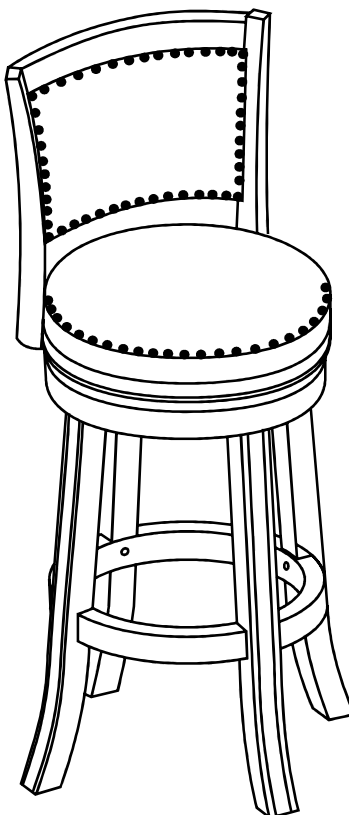


Boraam Industries

ASSEMBLY INSTRUCTIONS

SKU: 89624,89629

CANTABRIA SWIVEL STOOL



Have questions about assembling your item?



Items or parts damaged?



Missing a part?

We're here to help! (Monday-Friday from 9am-5pm CST)



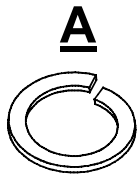
847-949-6300
877-267-2261



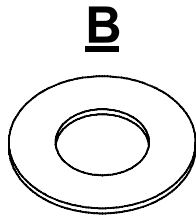
customerservice@
boraamindustries.com



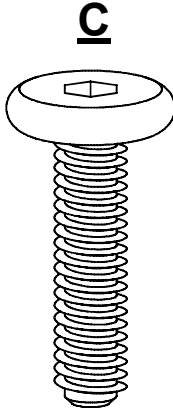
www.boraamindustries.com



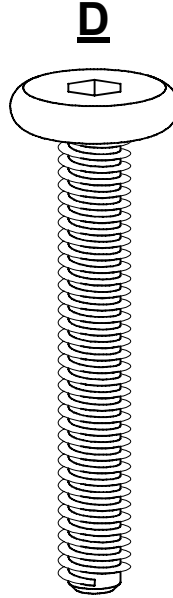
M6*10
14 PCS



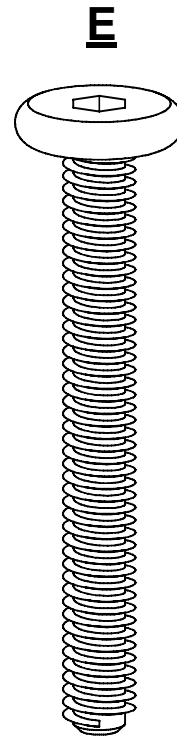
M6*16
18 PCS



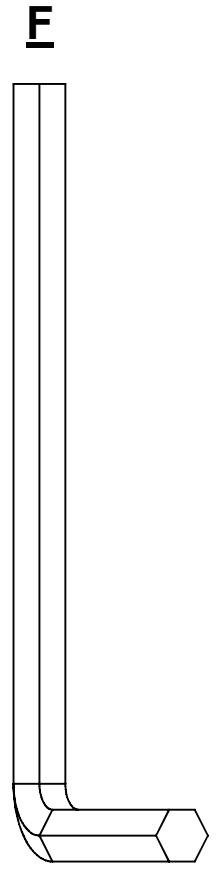
M6*25
4 PCS



M6*40
8 PCS

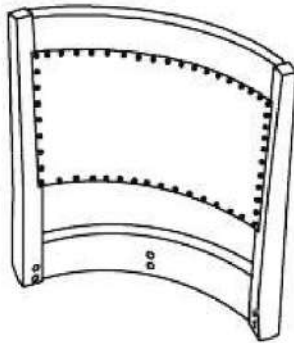


M6*50
6 PCS

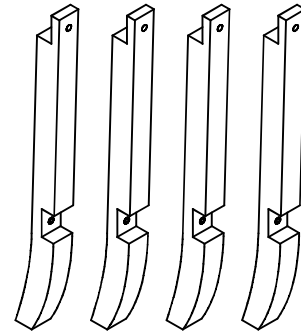


M4*110
1 PC

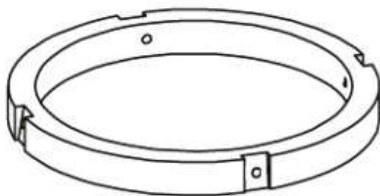
1



2



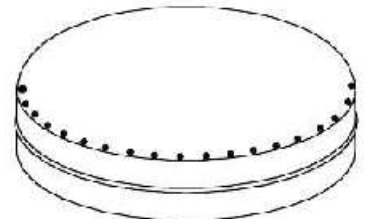
3



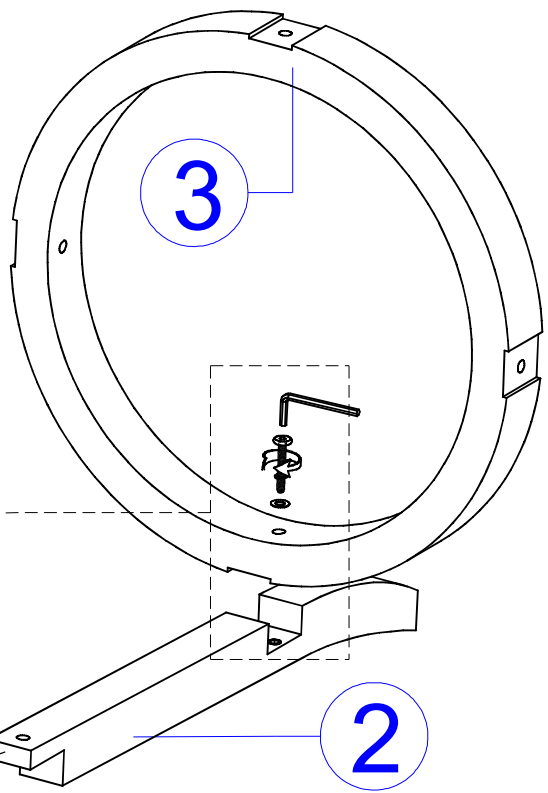
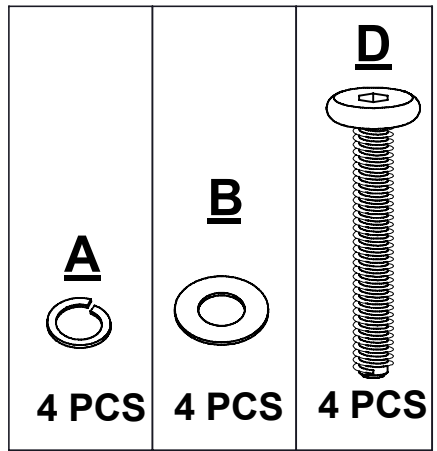
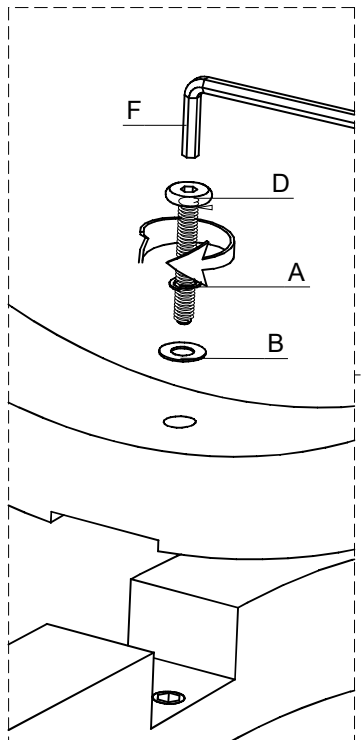
4



5



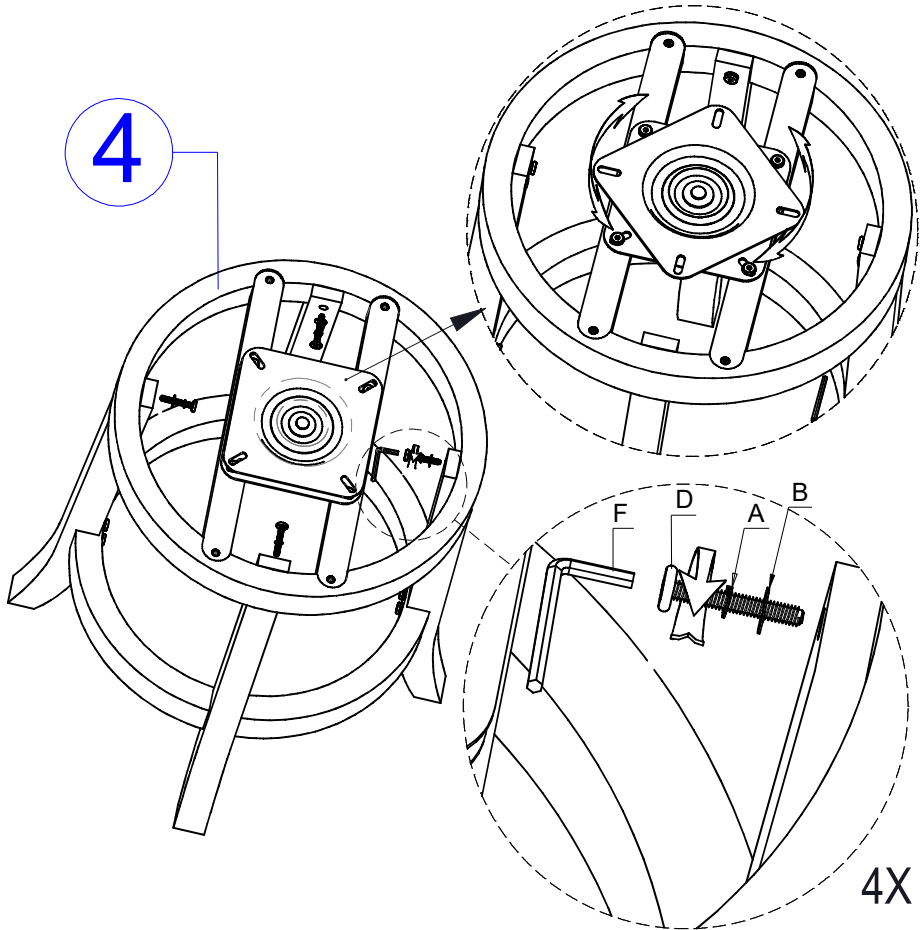
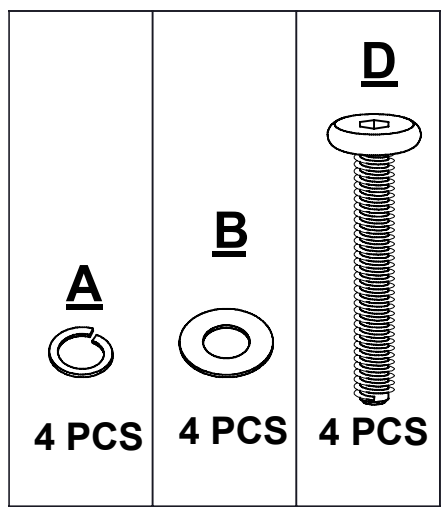
01



4X

DO NOT TIGHTEN BOLT COMPLETELY.

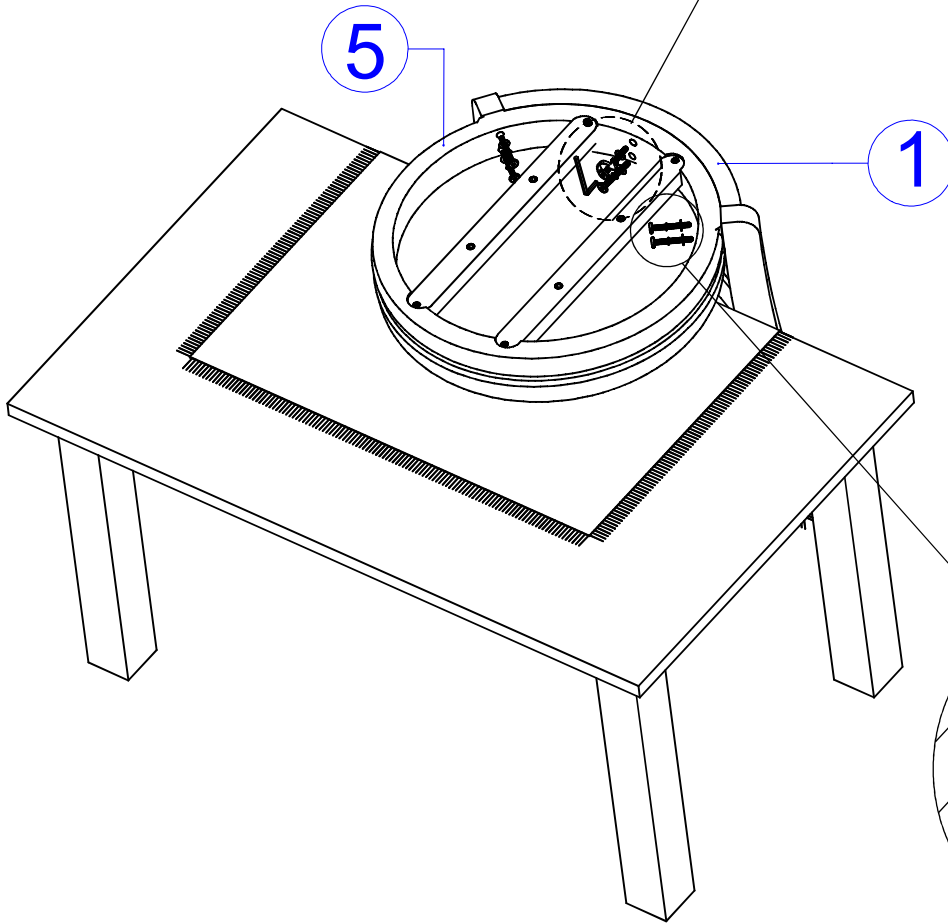
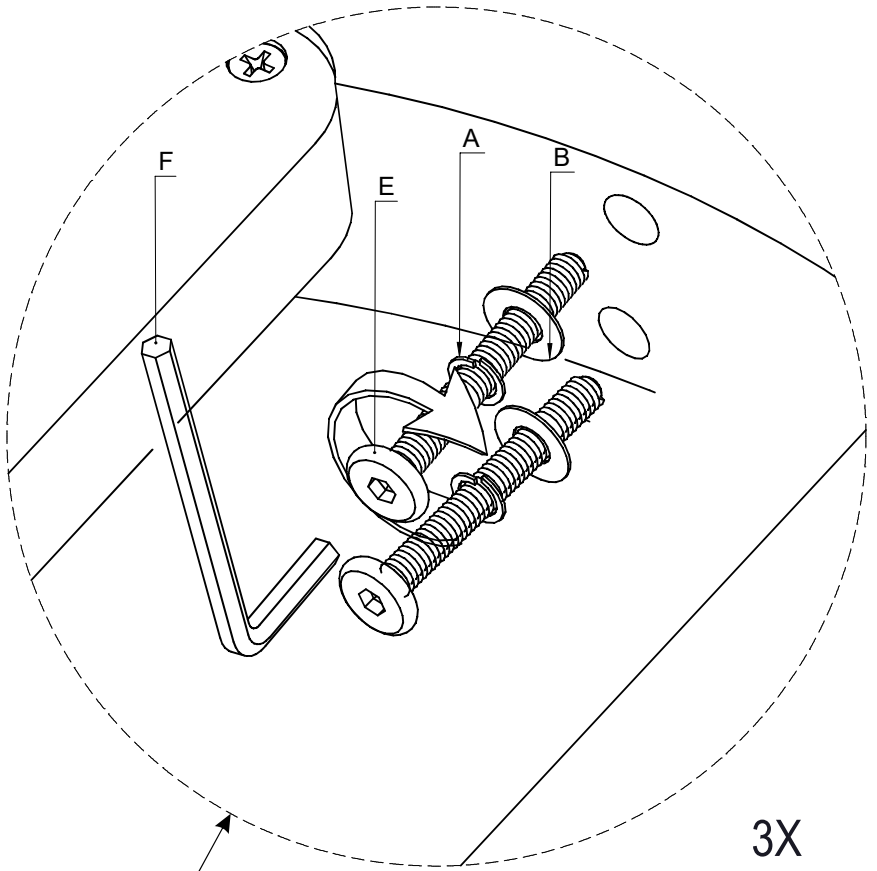
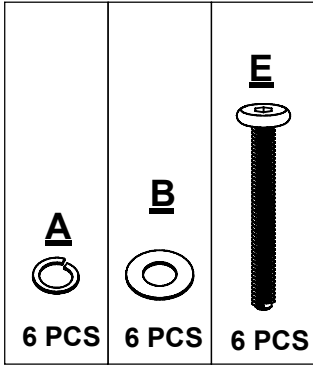
02



4X

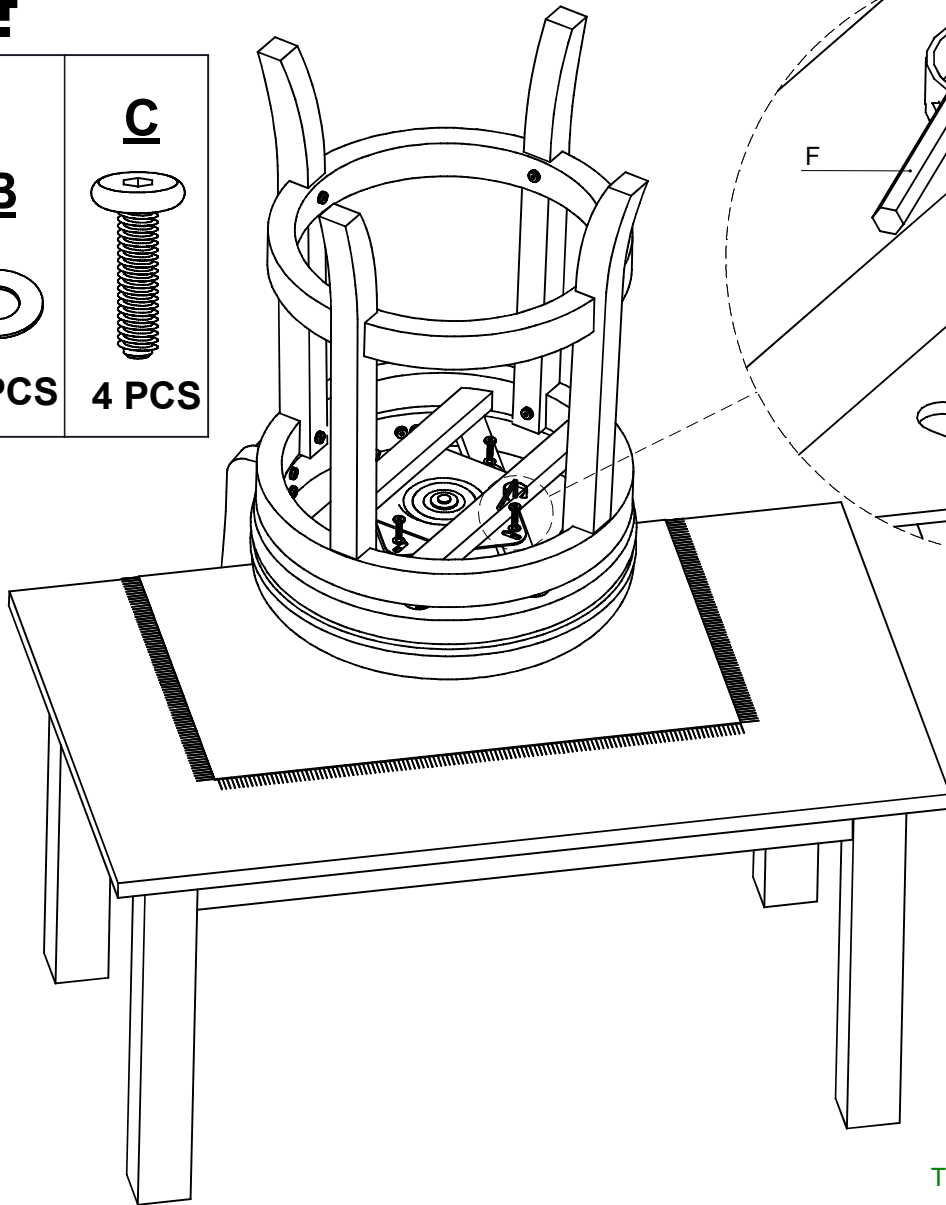
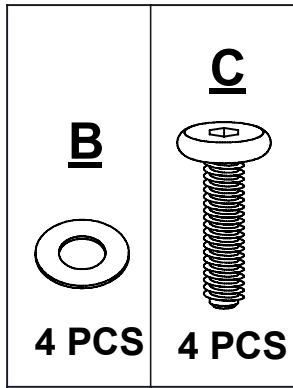
TIGHTEN BOLT COMPLETELY.

03



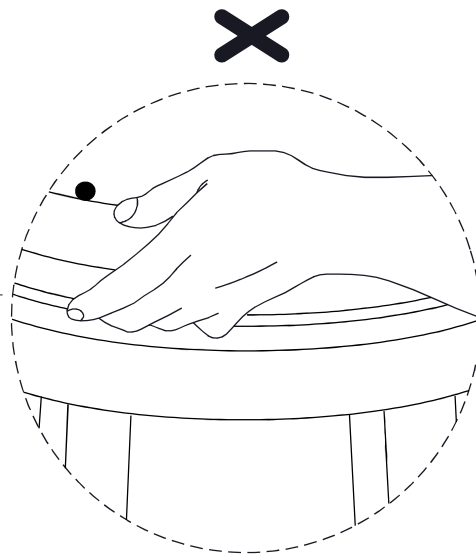
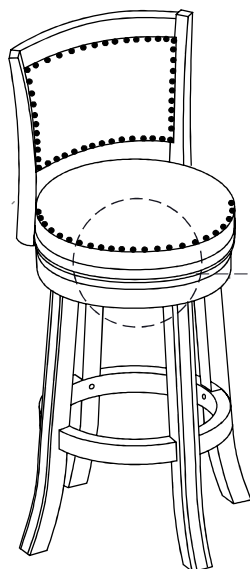
TIGHTEN BOLT COMPLETELY.

04



4X

TIGHTEN BOLT COMPLETELY.



BE SURE TO CHECK ALL BOLTS ARE SECURELY TIGHTENED PRIOR USING THIS STOOL.

847-949-6300 | 877-267-2261 | customerservice@boraamindustries.com